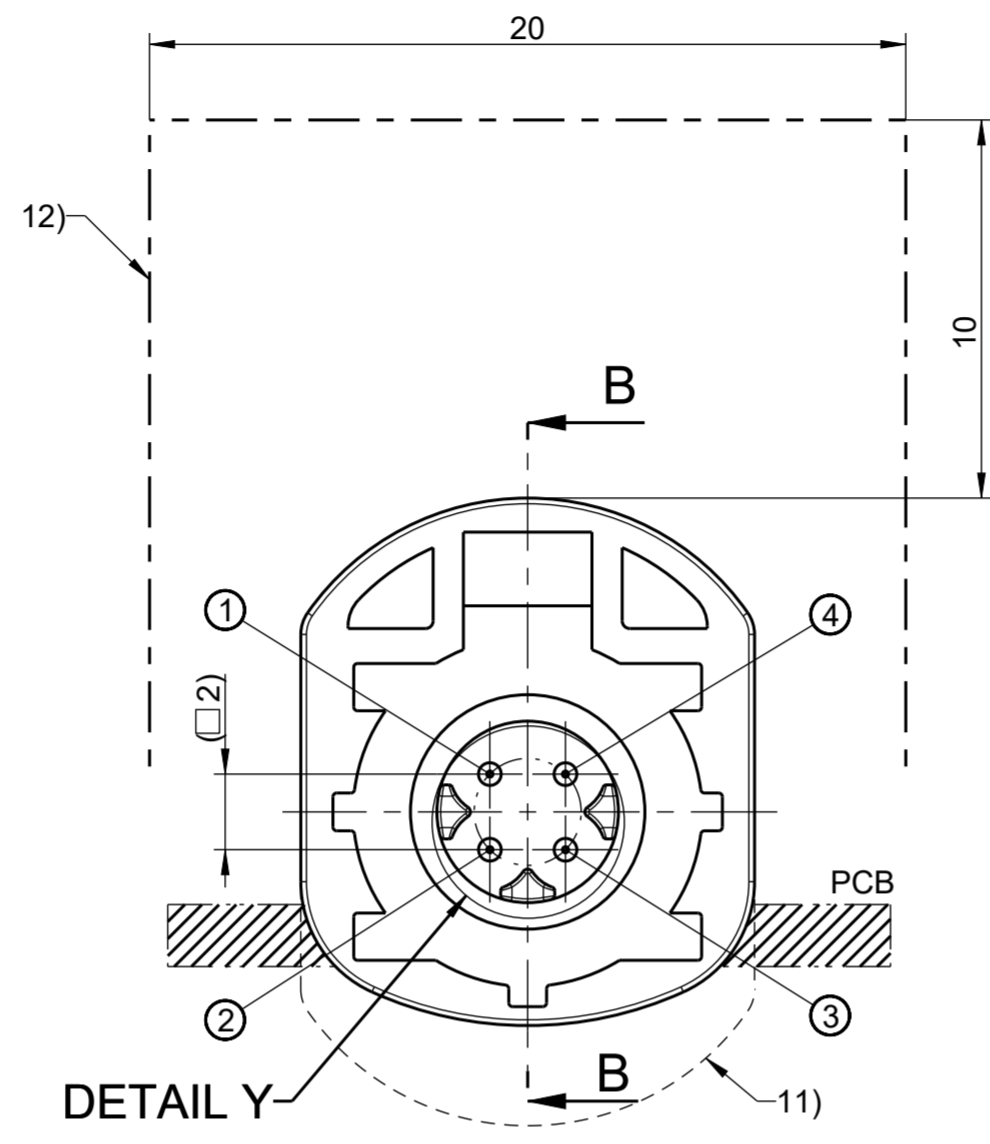


EWCAP REF #	CODE / TYPE	COLOR	SIMILAR RAL-NO
999-U-004-2-F01	F = A-D-E1	nut brown	8011
999-U-004-2-E01	E = B-C-E1	leaf green	6002
999-U-004-2-D01	D = C-D-E1	claret violet	4004
999-U-004-2-C01	C = B-D-E1	signal blue	5005
999-U-004-2-B01	B = A-C-E1	cream	9001
999-U-004-2-A01	A = A-B-E1	jet black	9005

STANDARD ONLY FOR CABLE DOWN, LEFT, RIGHT, STRAIGHT



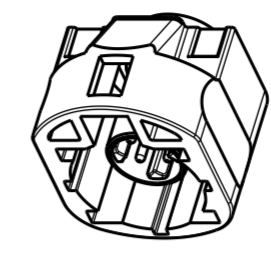
PINNING STANDARD MUST BE CONSIDERED REFER TO ROSENBERGER RN-053-01

NOTES:

- 1) REFERENCE FOR ALIGNMENT OF CENTER CONTACTS
- 2) Au PLATING
- 3) NO BURR AND SHARP EDGES PERMITTED
- 4) BLANK CUT AREA PERMITTED
- 5) REFERENCE IS THE HOLE IN THE INSULATOR
- 6) DRAFT WITHIN DIMENSIONAL TOLERANCE
- 7) ○ = NUMBER FOR PINNING
- 8) CONTROL BOX MANUFACTURER IS RESPONSIBLE FOR EMC-SCREENING BEHIND THE INTERFACE, THE RESPECTIVE OEM-STANDARDS
- 9) POSITION RELATIVE TO OUTER CONTACT, ORIENTATION ACC. TO GUIDE ELEMENTS IN THE PLASTIC HOUSING (REF.), REFERRING TO MEASURING PLANE 1
- 10) POSITION RELATIVE TO OUTER CONTACT, ORIENTATION ACC. TO GUIDE ELEMENTS IN THE PLASTIC HOUSING (REF.), REFERRING TO MEASURING PLANE 2
- 11) REQUIRED SPACE FOR RIGHT ANGLE JACK WITH CABLE UP/DOWN HAS TO BE CONSIDERED ON DEVICE DESIGN
- 12) REQUIRED SPACE FOR ACTUATION
- 13) DISTORTION ALLOWED UP TO $\varnothing 2.7$ COAXIAL WITH **D**
- 14) RETENTION FORCE 110N MIN. WITHOUT CONTACT INTERRUPTION HAS TO BE GUARANTEED

CONTACT	PLATING REQUIREMENT
OUTER CONTACT	min. 3µm Ni over min. 0.5 µm Cu
INNER CONTACT	min. 0.15µm Au over 2µm Ni and 0.5µm Cu

ISOMETRIC VIEW SCALE: 2:1



NOTICE:
This drawing, or portions of it are controlled by the Electrical Wiring Components Application Partnership(EWCAP) a subgroup of the United States Council for Automotive Research LLC (USCAR LLC).

USCAR is an LLC consisting of members from FCA US LLC, Ford Motor Company and GM Corporation.

Any change to a EWCAP controlled portion of this drawing, including a revision record change must be approved, in writing, by the responsible EWCAP representative from each USCAR member company. Each EWCAP representative authorized to sign for his or her member company is responsible for obtaining all necessary approvals within that company prior to signing for the approval of the change.

EWCAP expressly prohibits any party from changing either any EWCAP controlled portion of this drawing or any associated tooling before receiving approval, signed by the authorized representatives, of the USCAR member companies. Reference to the signed change notice must be entered in the drawing control column.

CHANGE SERIAL NUMBER	A	INITIAL RELEASE	2/21/18	PA	RCB
LET		REVISION RECORD	DATE	DUN	CHK
TOLERANCES (UNLESS OTHERWISE SPECIFIED)			THIRD ANGLE PROJECTION		
DIMENSIONS ARE IN MILLIMETERS					
DIMENSIONING AND TOLERANCE IN ACCORDANCE WITH ASME Y14.5-2009					

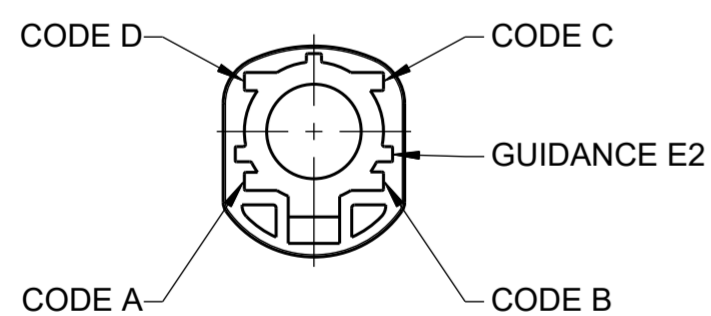
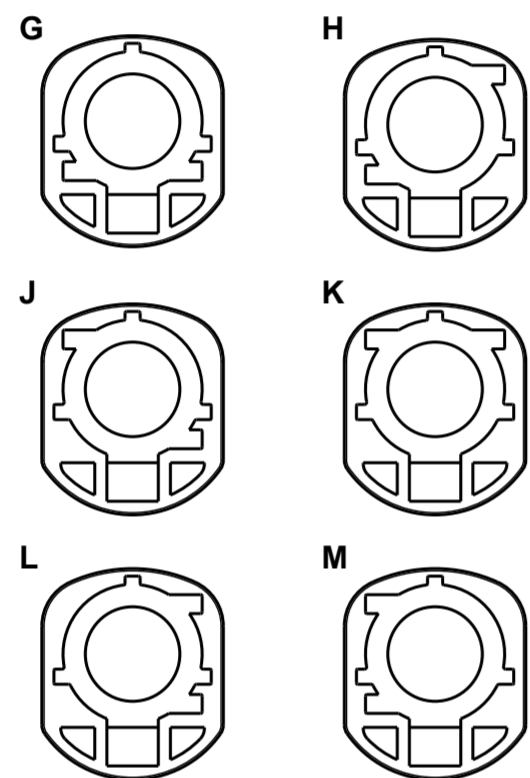
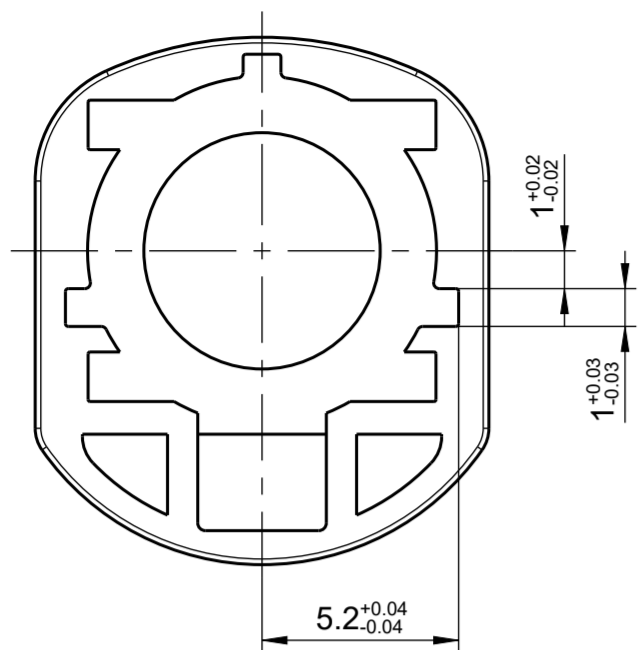
USCAR-EWCAP

SCALE	DRAWN BY	CHECKED BY	DATE
5:1	ANTON PETER	R C BURDICK	2/21/18

TITLE
HSD-INTERFACE

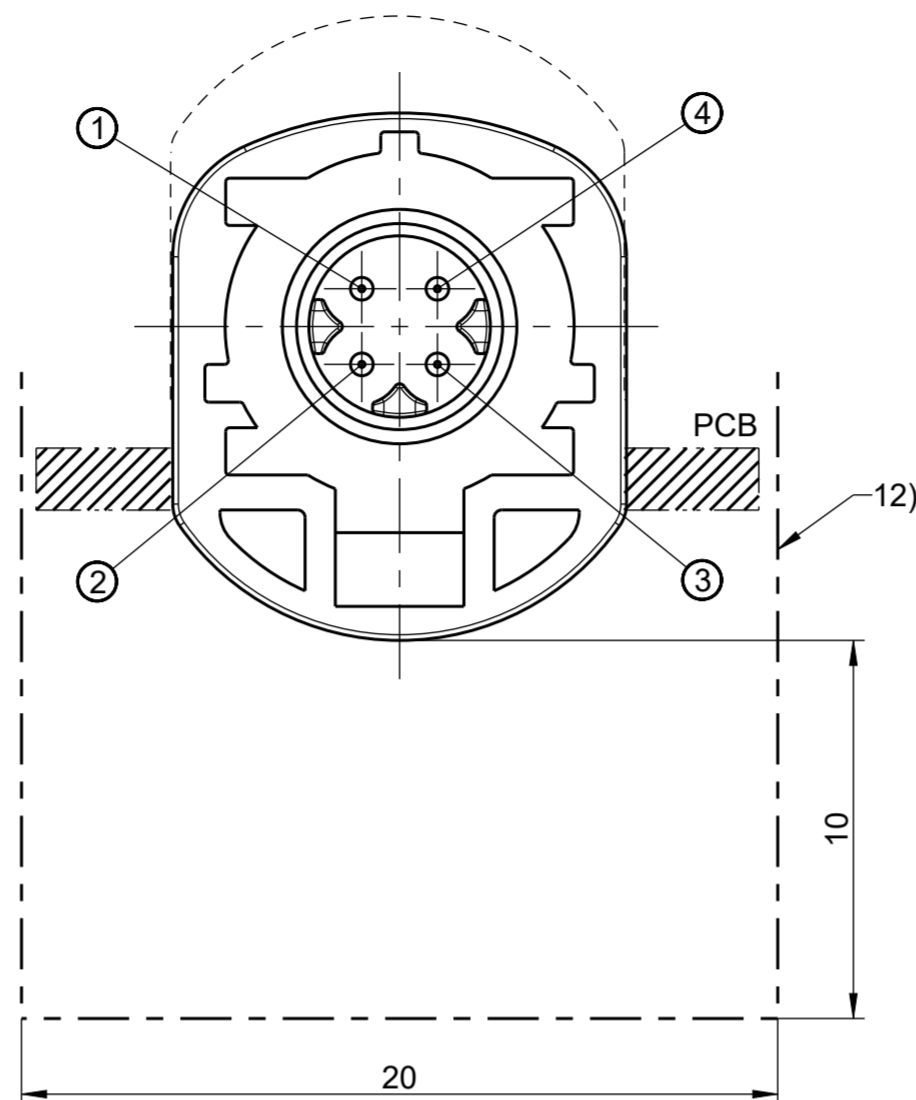
Rosenberger
D-84526 Tittmoning
Germany

SHEET	DRAWING NUMBER	SIZE	DO NOT SCALE DRAWING	REVISION LEVEL
1 of 3	999-U-004-2-Z01	A2	COMPUTER AIDED DRAWING	A



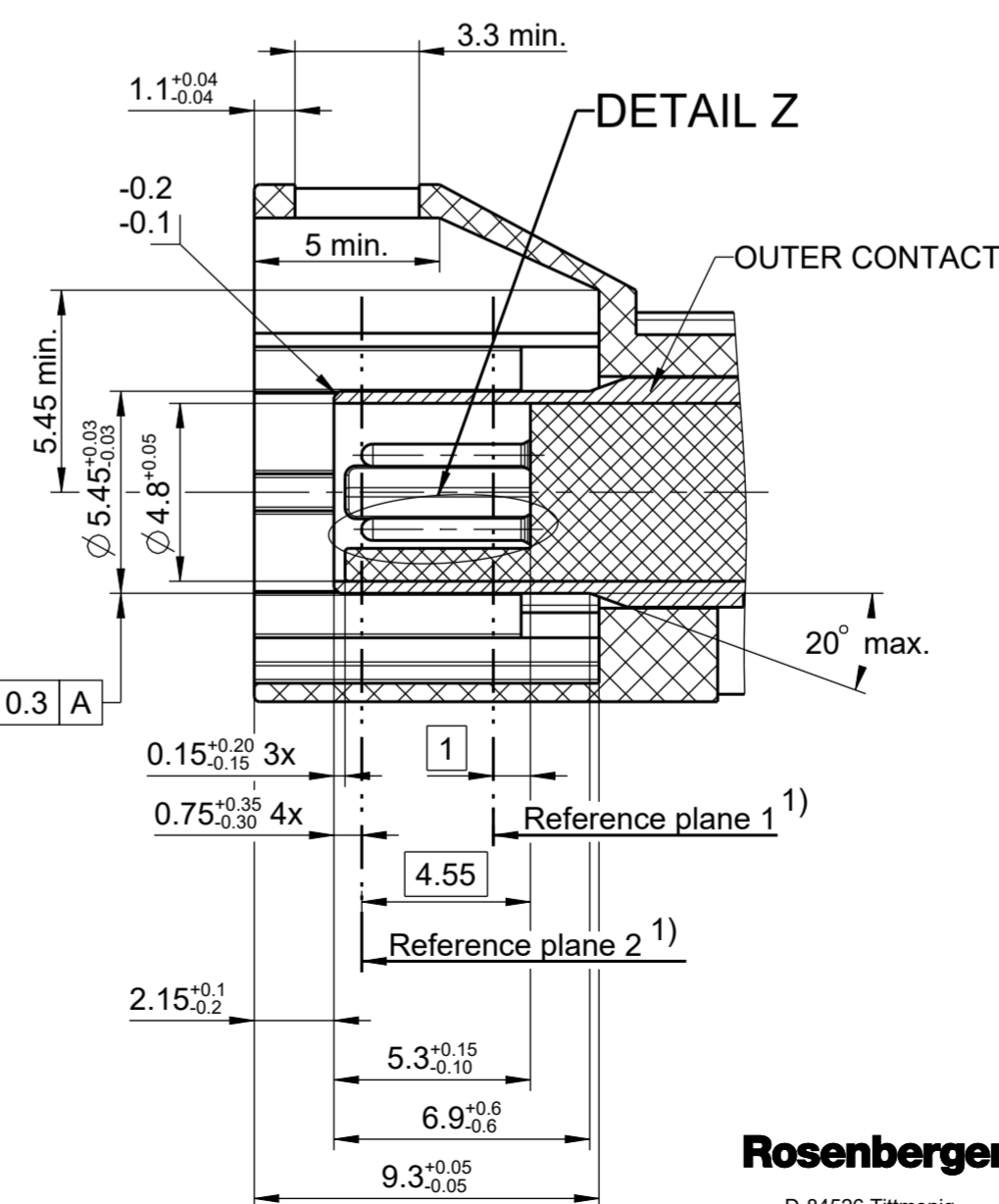
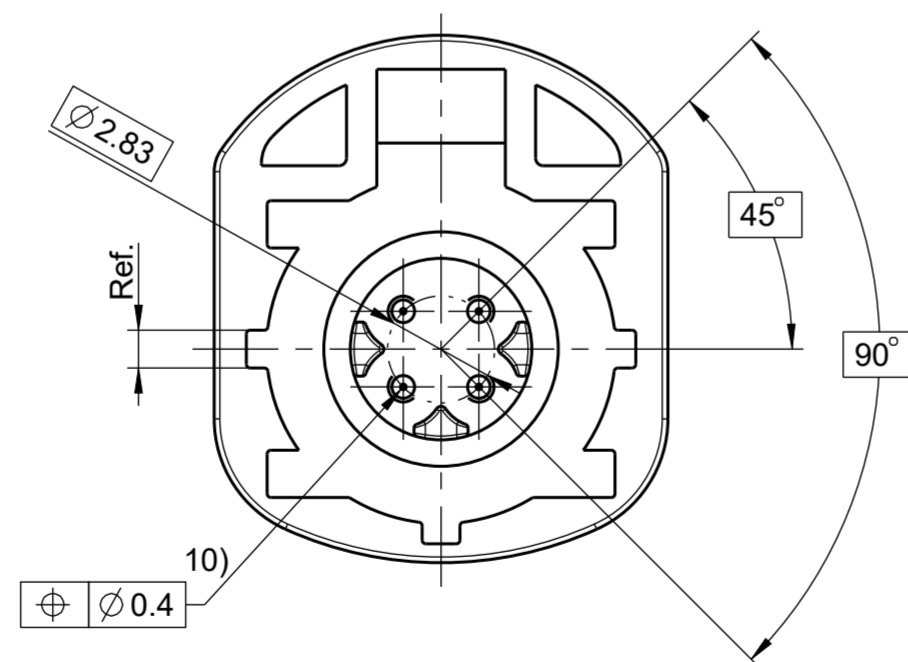
EWCAP REF #	CODE / TYPE	COLOR	SIMILAR RAL-NO
999-U-004-2-M01	M = A-D-E2	pastel orange	2003
999-U-004-2-L01	L = B-C-E2	yellow green	6018
999-U-004-2-K01	K = C-D-E2	curry	1027
999-U-004-2-J01	J = B-D-E2	beige	1001
999-U-004-2-H01	H = A-C-E2	heather violet	4003
999-U-004-2-G01	G = A-B-E2	blue grey	7031

SPECIAL USE ONLY FOR CABLE UP

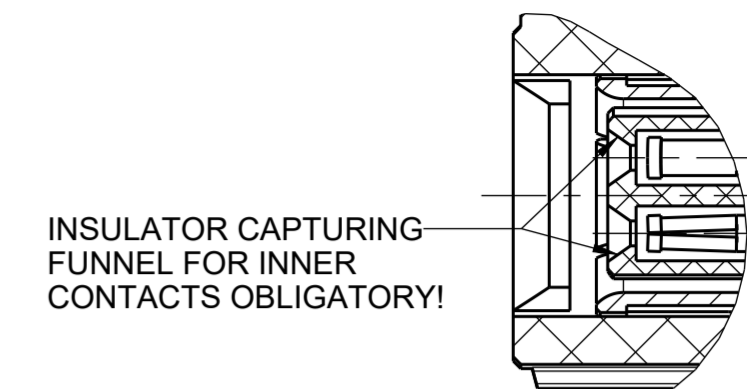


PINNING STANDARD MUST BE CONSIDERED REFER TO ROSENBERGER RN-053-01

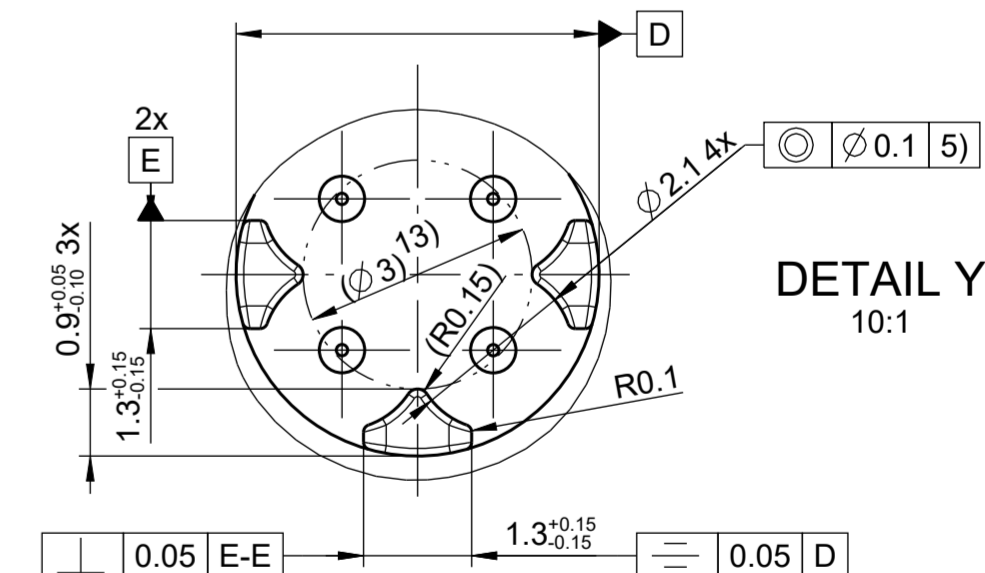
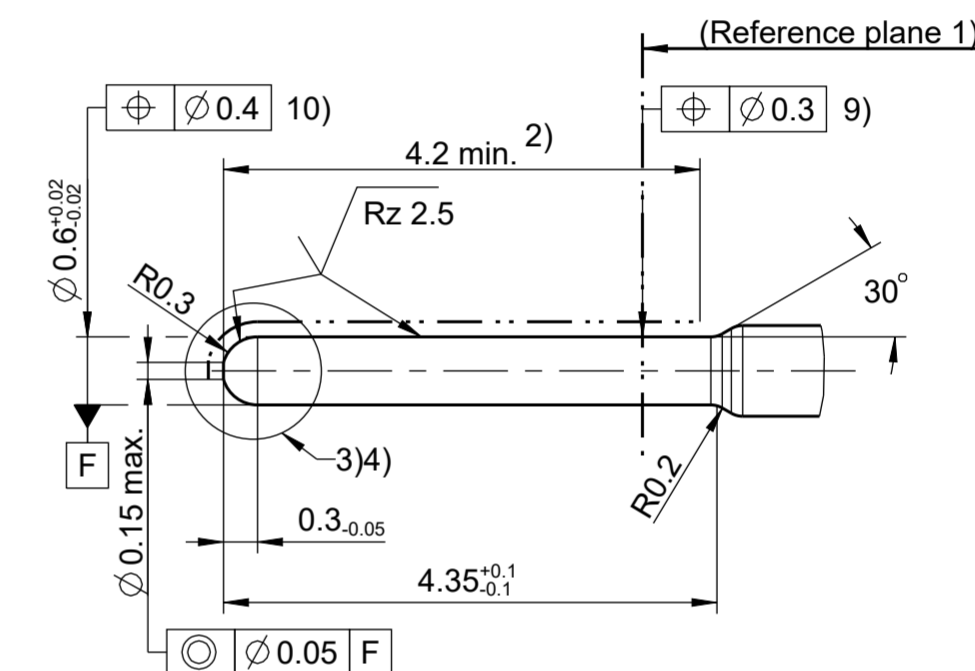
SECTION B-B



SOCKET CONTACT



CONTACT DETAIL Z 15:1



TOLERANCES (UNLESS OTHERWISE SPECIFIED)		THIRD ANGLE PROJECTION	
DIMENSIONS ARE IN MILLIMETERS			
DIMENSIONING AND TOLERANCE IN ACCORDANCE WITH ASME Y14.5-2009			

USCAR-EWCAP

SCALE: 5:1	DRAWN BY: ANTON PETER	CHECKED BY: R C BURDICK	DATE: 2/21/18
------------	-----------------------	-------------------------	---------------

HSD-INTERFACE

SHEET: 2 of 3	DRAWING NUMBER: 999-U-004-2-Z01	SIZE: A2	DO NOT SCALE DRAWING	REVISION LEVEL: A
---------------	---------------------------------	----------	----------------------	-------------------

Rosenberger
D-84526 Tittmoning
Germany

NOTICE

EWCAP HAS SELECTED COMMON DIMENSIONS FOR THE CONNECTOR(S) DEPICTED AND DESCRIBED HEREIN (LISTED BELOW). FURTHER, EWCAP HAS SELECTED FOR PUBLICATION THIS DRAWING (AND ITS COMPANION ELECTRONIC MODEL) PREPARED BY ROSENBERGER AS REPRESENTATIVE OF A CONNECTOR HAVING THESE DIMENSIONS. IN EXCHANGE FOR THE CONSIDERATION OF THE SELECTION OF THIS DRAWING FOR PUBLICATION (INCLUDING POSTING ON EWCAP'S WEB SITE) AND OTHER GOOD AND VALUABLE CONSIDERATION FLOWING FROM THIS SECTION, ROSENBERGER HEREBY AGREES ON BEHALF OF ITSELF AND ITS SUCCESSORS AND ASSIGNS, WITH RESPECT TO ANY COPYRIGHTS IT MAY HAVE IN THIS DRAWING AS WELL AS ANY PATENT RIGHTS IT MAY HAVE IN THE CONNECTOR ILLUSTRATED IN THIS DRAWING, NOT TO ENFORCE SUCH COPYRIGHTS AND PATENTS AGAINST ANY PERSON OR ENTITY ON ACCOUNT OF THEIR ACTIVITIES TO MAKE, HAVE MADE, USE AND SELL THE CONNECTOR ILLUSTRATED IN THIS DRAWING FOR VEHICULAR APPLICATIONS. THE TERM "CONNECTOR" AS USED IN THIS PARAGRAPH IS LIMITED SOLELY TO THE STRUCTURE SPECIFICALLY ILLUSTRATED IN THIS DRAWING.

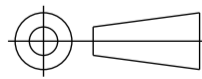
SIGNED A. PETER FOR ROSENBERGER. DATE: 2/21/18
 NAME AND TITLE OF SIGNER: A. PETER

THE PERSON SIGNING THIS AGREEMENT REPRESENTS AND WARRANTS THAT (1) HE OR SHE IS DULY AUTHORIZED AND HAS LEGAL CAPACITY TO EXECUTE AND DELIVER AGREEMENT ON BEHALF OF ROSENBERGER, (2) THE EXECUTION AND DELIVERY OF THIS AGREEMENT AND THE PERFORMANCE OF ROSENBERGER PURSUANT TO THE TERMS OUTLINED ABOVE HAVE BEEN DULY AUTHORIZED AND THAT THIS AGREEMENT IS A VALID AND LEGAL AGREEMENT BINDING ON FEBRUARY 22, 2018 AND ENFORCEMENT IN ACCORDANCE WITH ITS TERMS.

NO WARRANTIES OR INDEMNITIES OF ANY KIND ARE MADE OR IMPLIED BY ROSENBERGER OR EWCAP. IN PARTICULAR THERE ARE NO EXPRESS OR IMPLIED WARRANTIES OF FITNESS FOR A PARTICULAR PURPOSE, MERCHANTABILITY, NON-INFRINGEMENT OR ANY OTHER WARRANTY OF ANY KIND. IN ADDITION, THERE ARE NO EXPRESS OR IMPLIED WARRANTIES OR INDEMNITIES OF ANY KIND RELATING TO THIRD PARTY CLAIMS ARISING UNDER THE INTELLECTUAL PROPERTY LAWS OF ANY COUNTRY. ANYONE USING THE INFORMATION IN THIS DRAWING DOES SO AT THEIR OWN RISK.

APPLICABLE EWCAP DRAWING NUMBERS:
 999-U-004-2-Z01

Rosenberger
 D-84526 Tittmoning
 Germany

TOLERANCES (UNLESS OTHERWISE SPECIFIED)		THIRD ANGLE PROJECTION	
DIMENSIONS ARE IN MILLIMETERS			
DIMENSIONING AND TOLERANCE IN ACCORDANCE WITH ASME Y14.5-2009			
<i>USCAR-EWCAP</i>			
SCALE	DRAWN BY	CHECKED BY	DATE
5:1	ANTON PETER	R C BURDICK	2/21/18
TITLE			
HSD-INTERFACE			
SHEET	DRAWING NUMBER	SIZE	REVISION LEVEL
3 of 3	999-U-004-2-Z01	A2	A
		DO NOT SCALE DRAWING	COMPUTER AIDED DRAWING