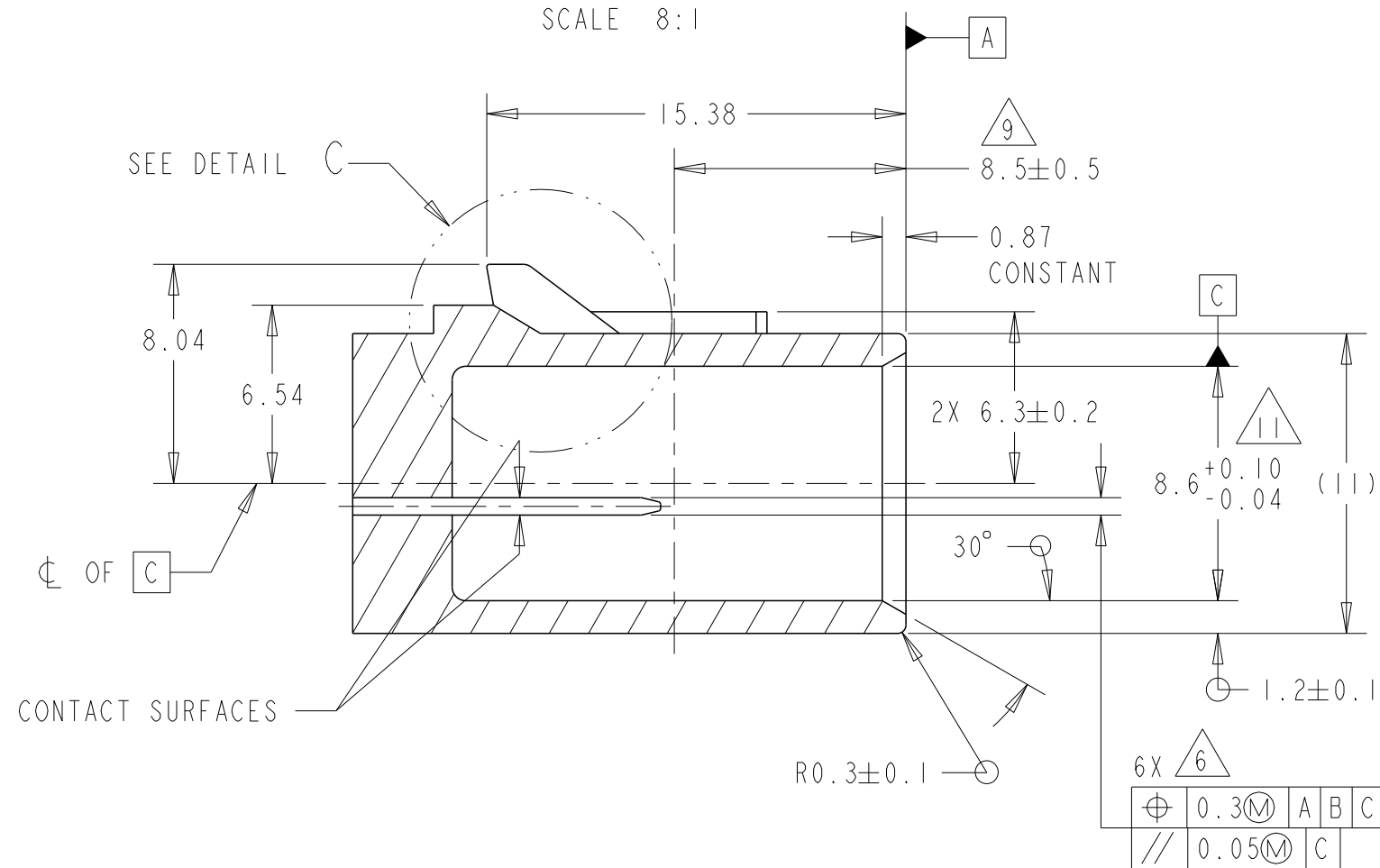
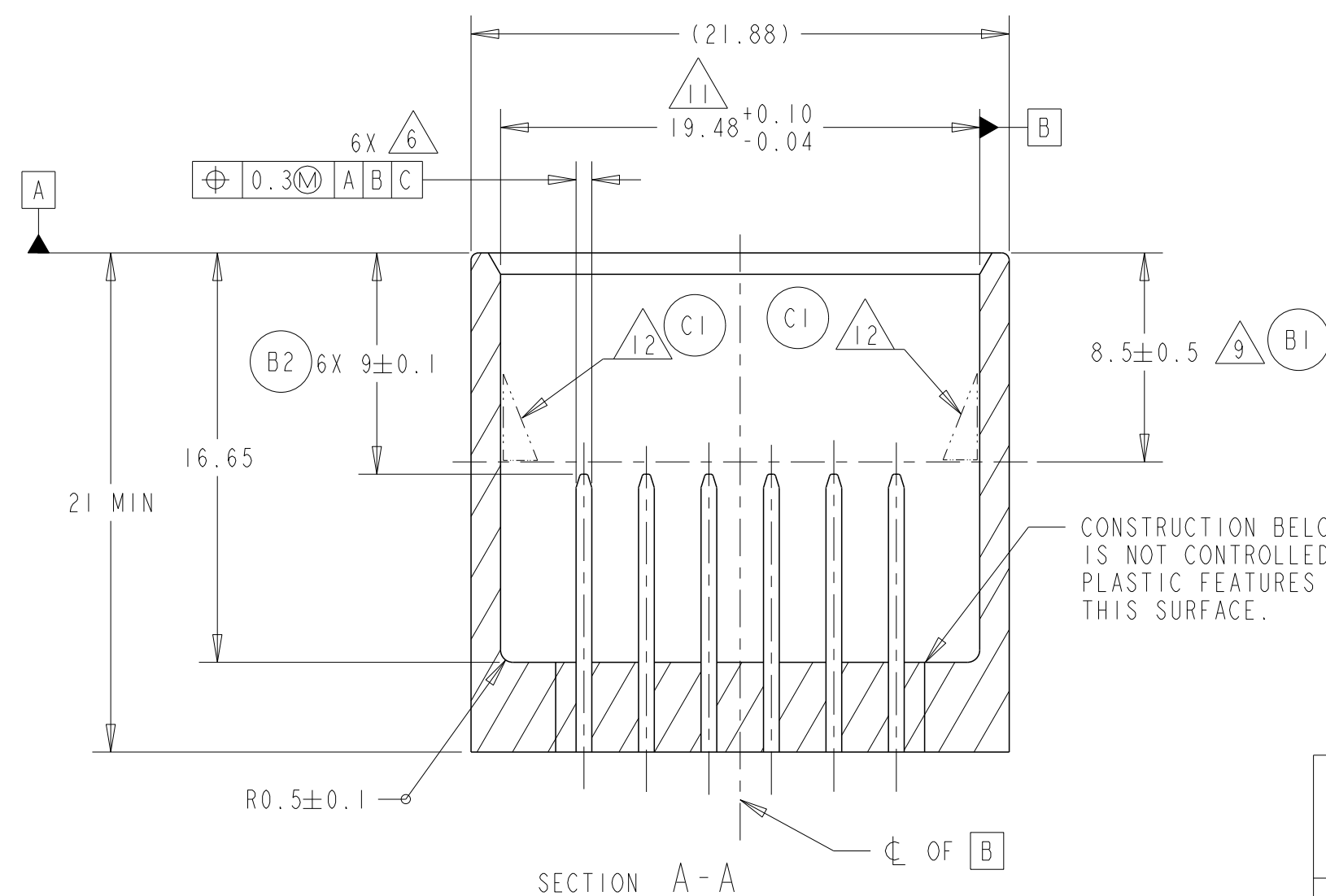
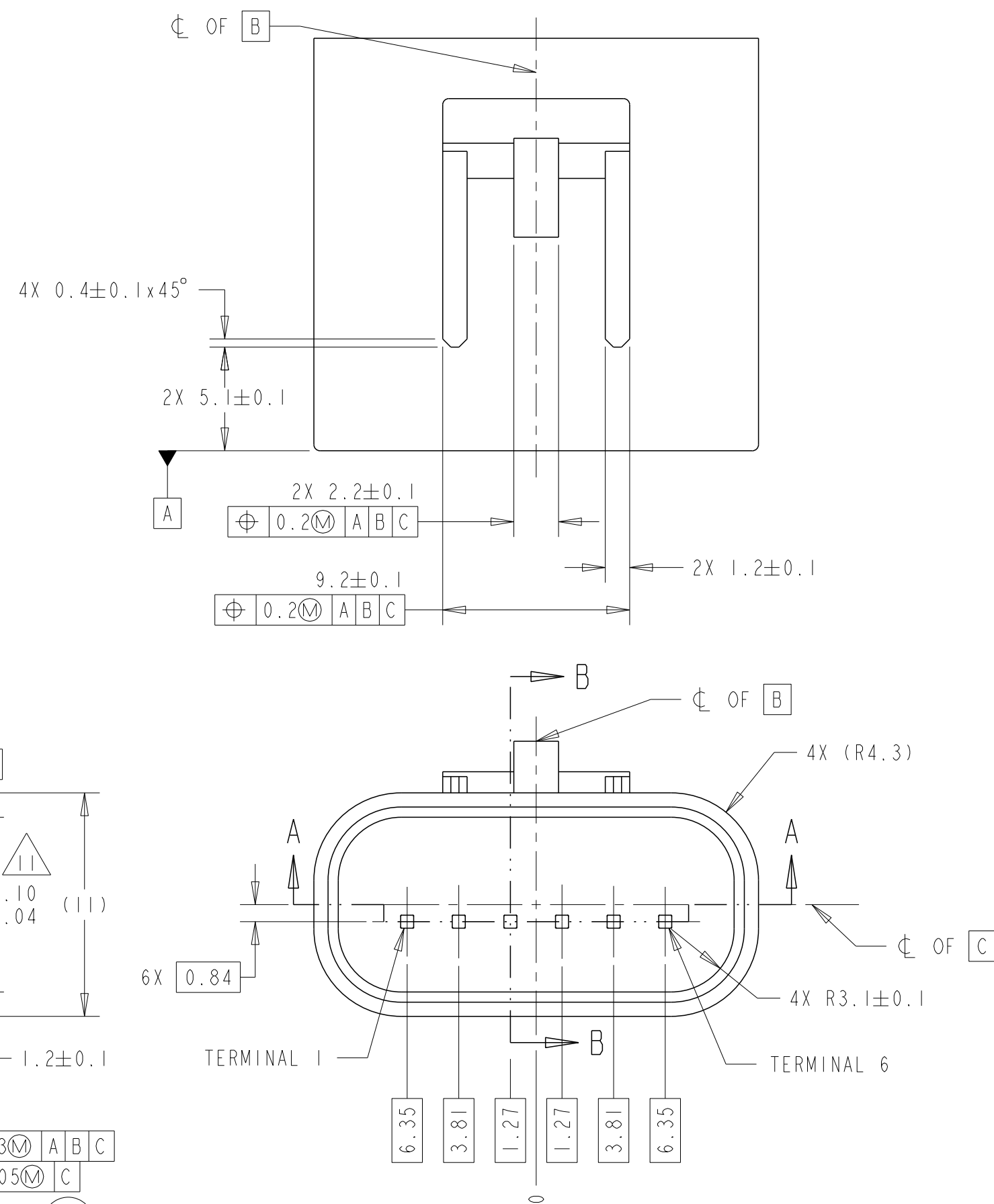


DETAIL C
SCALE 8:1



SECTION B-B



SECTION A-A

TOLERANCES (UNLESS OTHERWISE SPECIFIED)		THIRD ANGLE PROJECTION	
DIMENSIONS ARE IN MILLIMETERS			
ANGLES ± 3° 0'			
X.X ± 0.3		X.XX ± 0.1	

USCAR-EWCAP			
SCALE 8:1	DRAWN BY R. VESTAL	CHECKED BY S. BRENNER	DATE 080508
TITLE DIRECT CONNECT INTERFACE 6 WAY (1 X 6) 0.64mm SEALED MALE			
SHEET 2 OF 2	DRAWING NUMBER 064-S-006-1-Z03	SIZE A2	DO NOT SCALE DRAWING COMPUTER AIDED DRAWING
			REVISION LEVEL D

