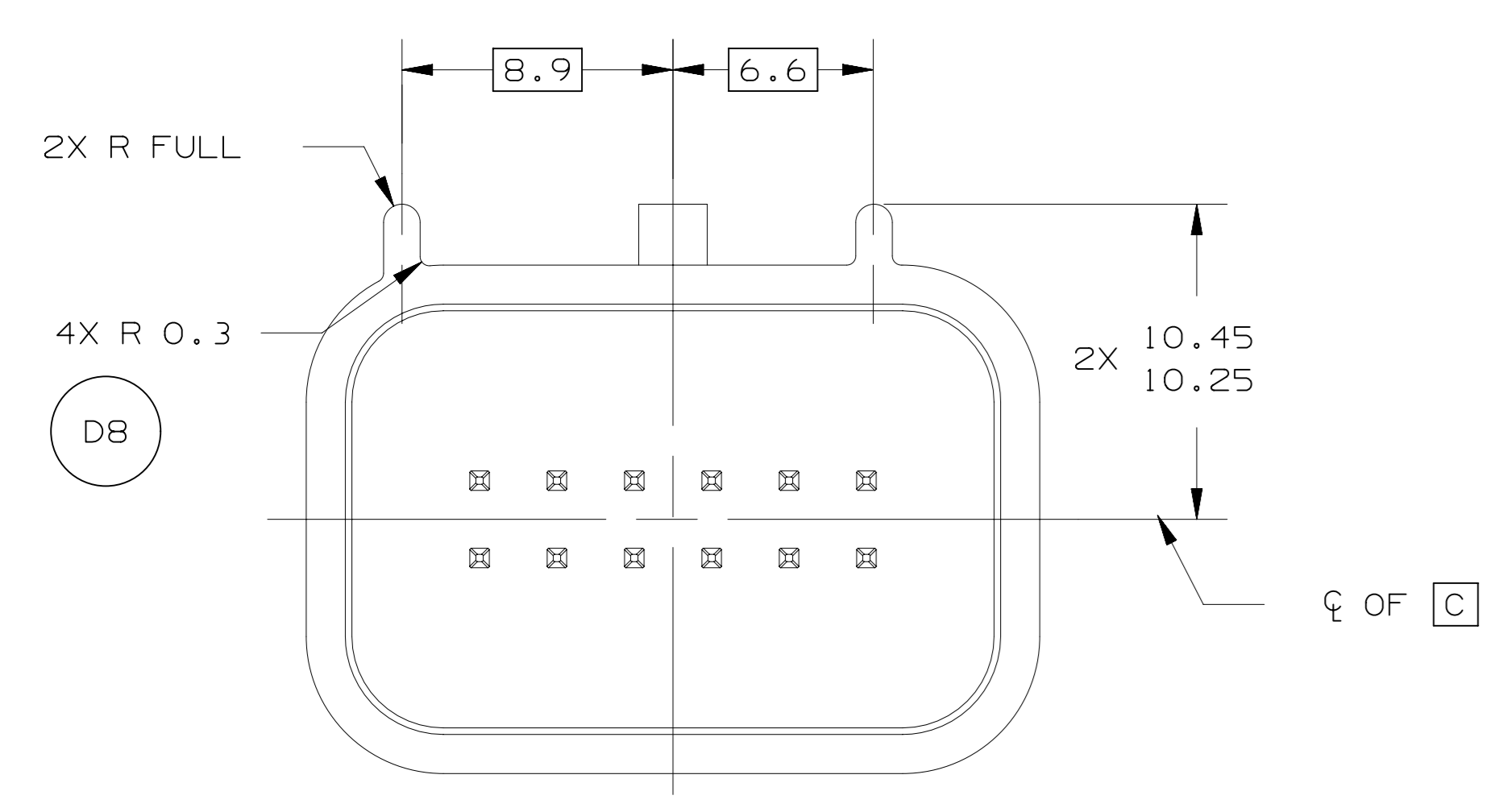
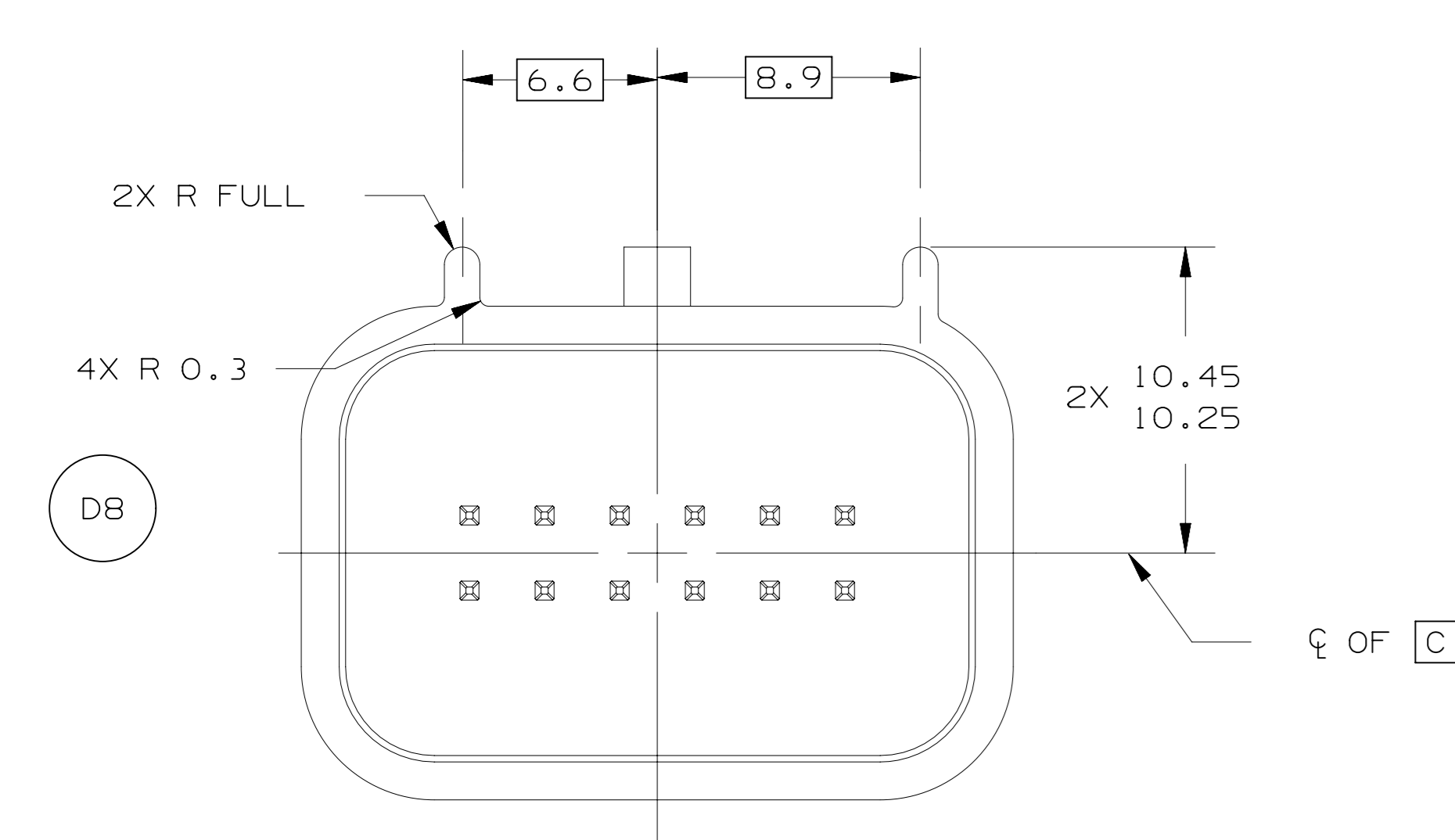


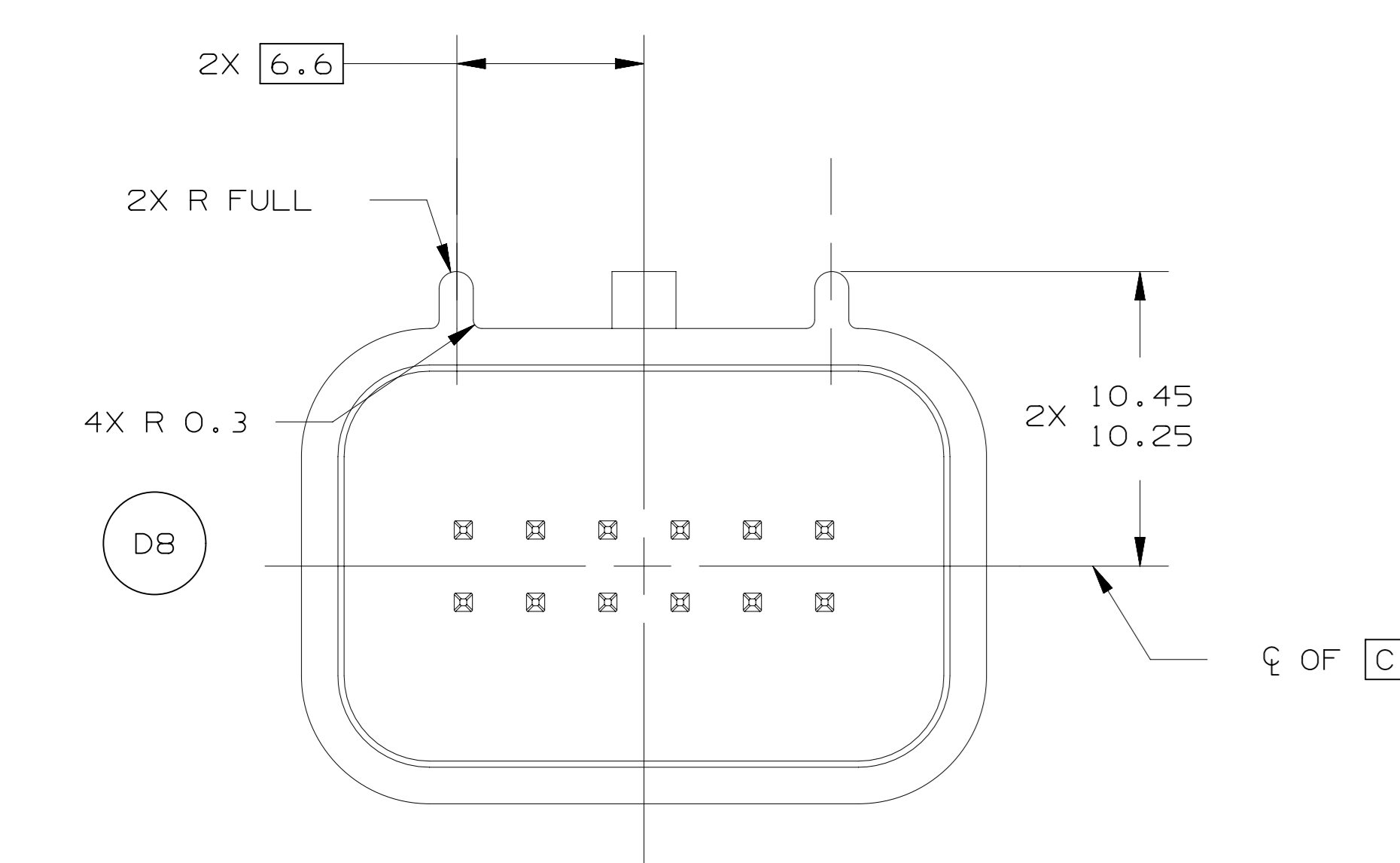
064-S-012-2-A01
(OPTION A)



064-S-012-2-B01
(OPTION B)

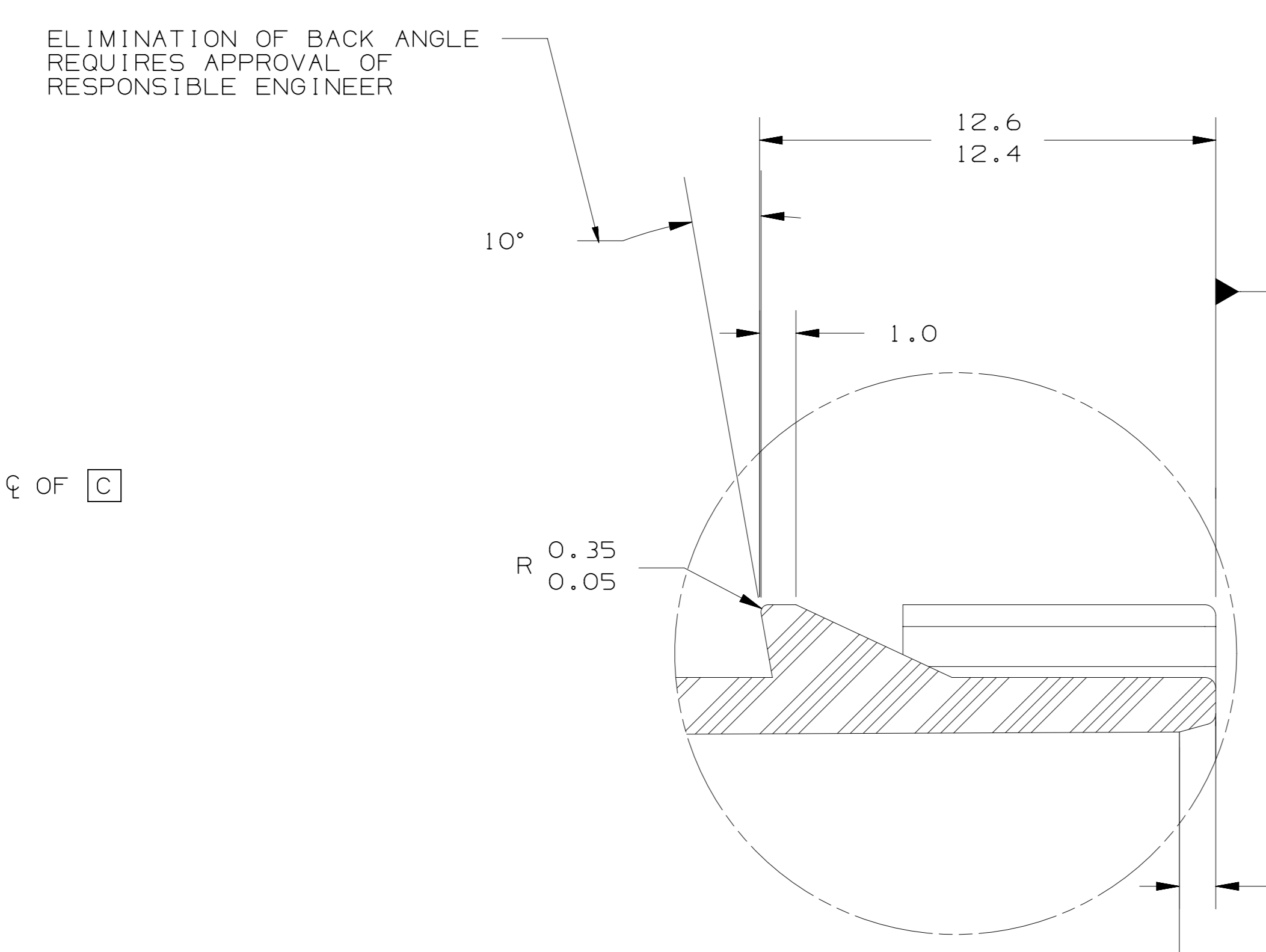


064-S-012-2-C01
(OPTION C)

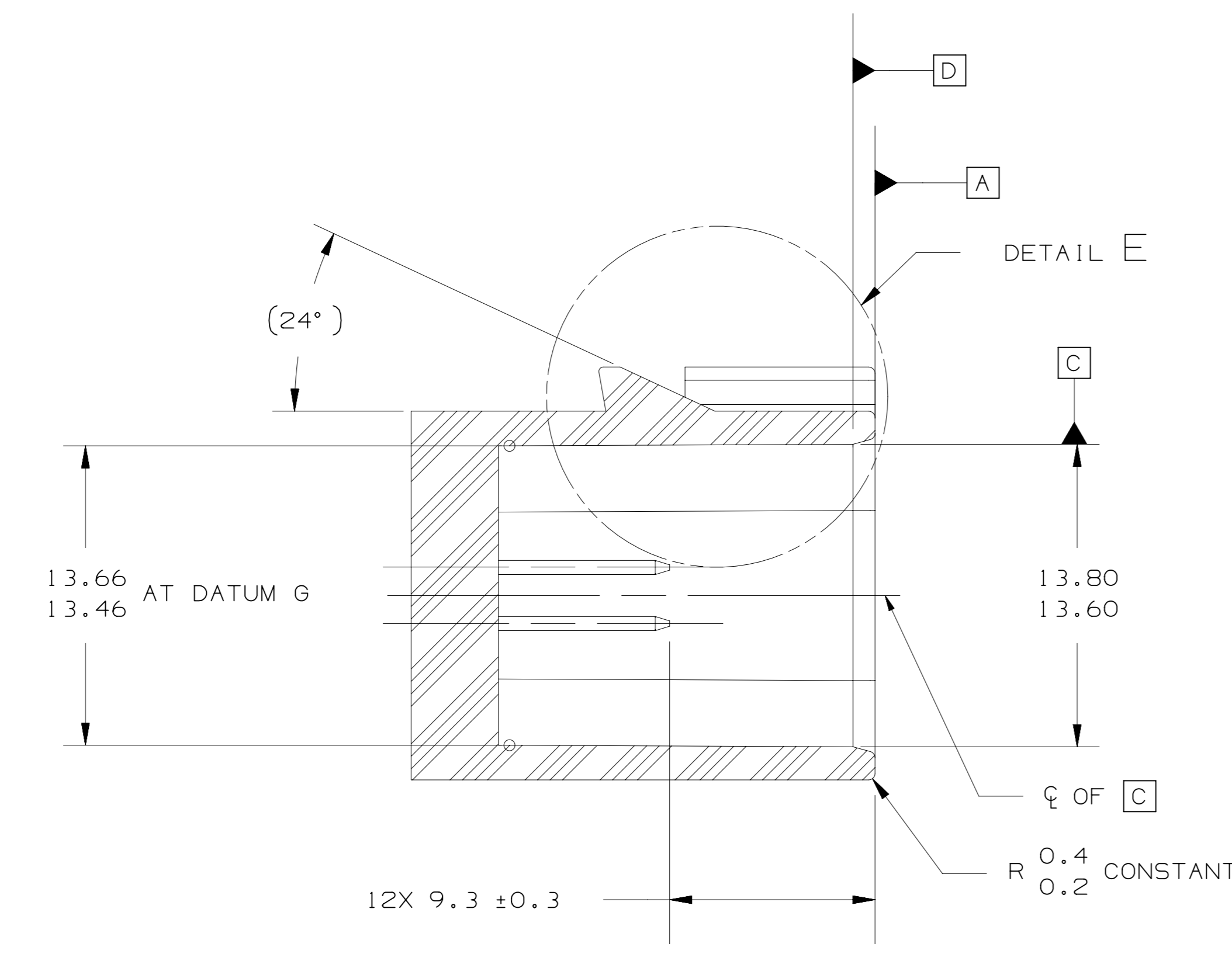


064-S-012-2-D01
(OPTION D1)

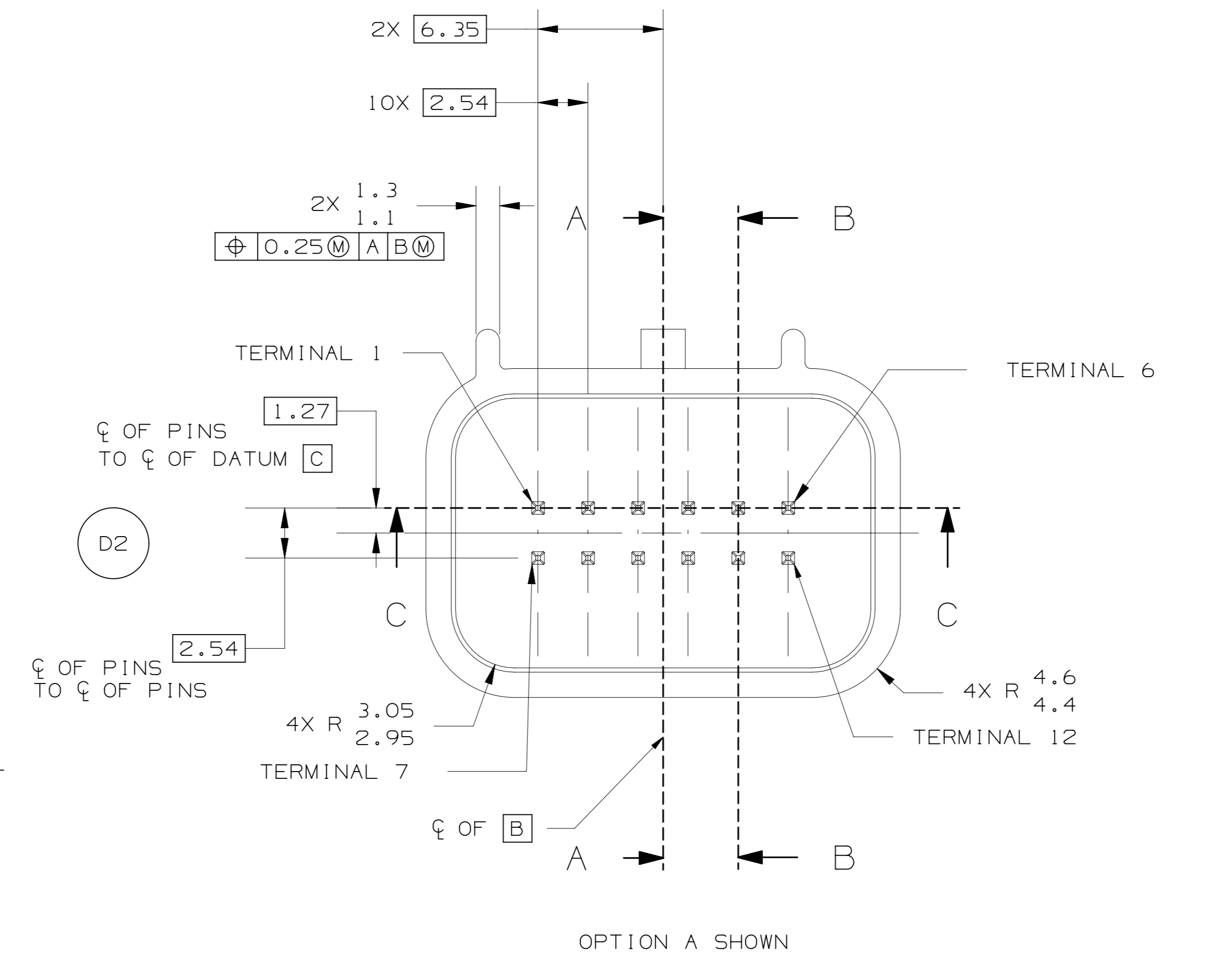
064-S-012-2-D01	D	GREEN
064-S-012-2-C01	C	BROWN
064-S-012-2-B01	B	GREY
064-S-012-2-A01	A	BLACK
EWCAP P/N	OPTION	MATING CONNECTOR COLOR



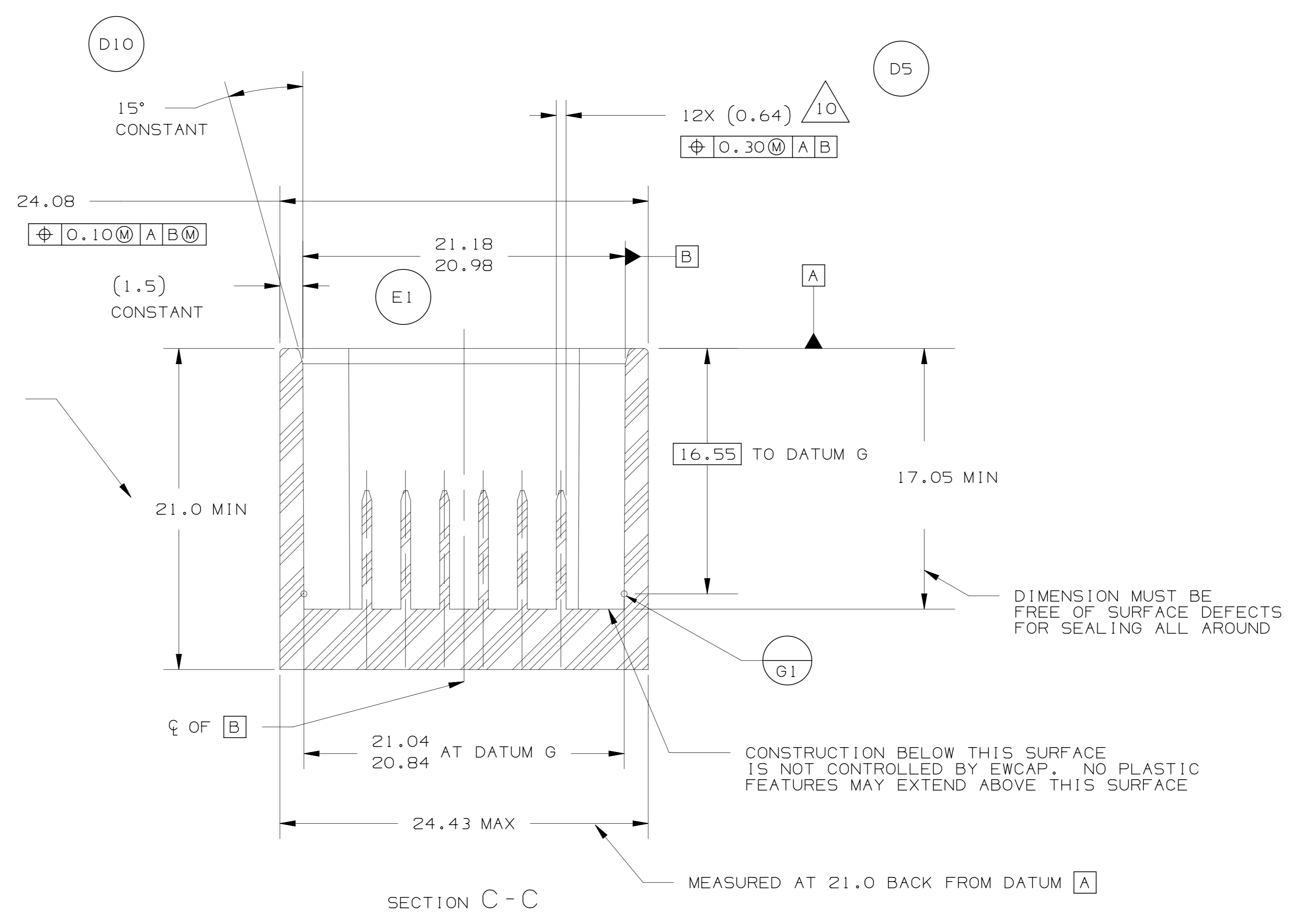
DETAIL E
SCALE 8:1



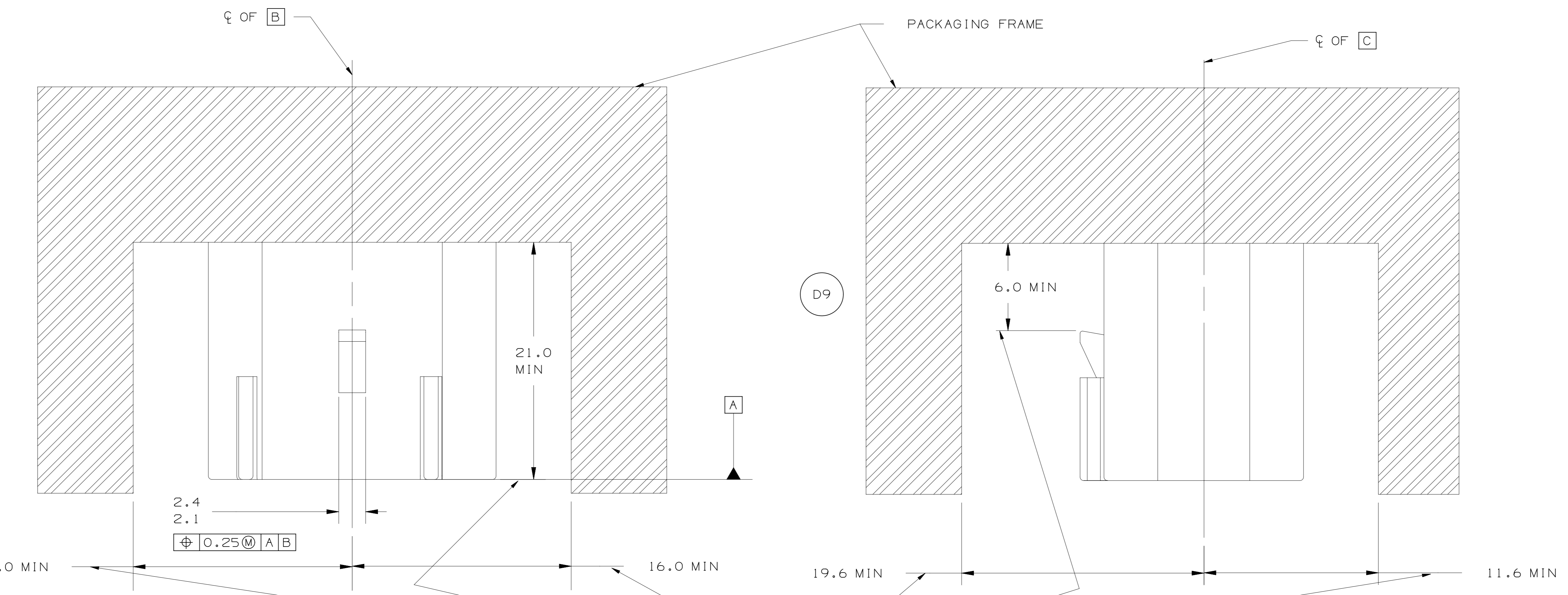
SECTION A-A



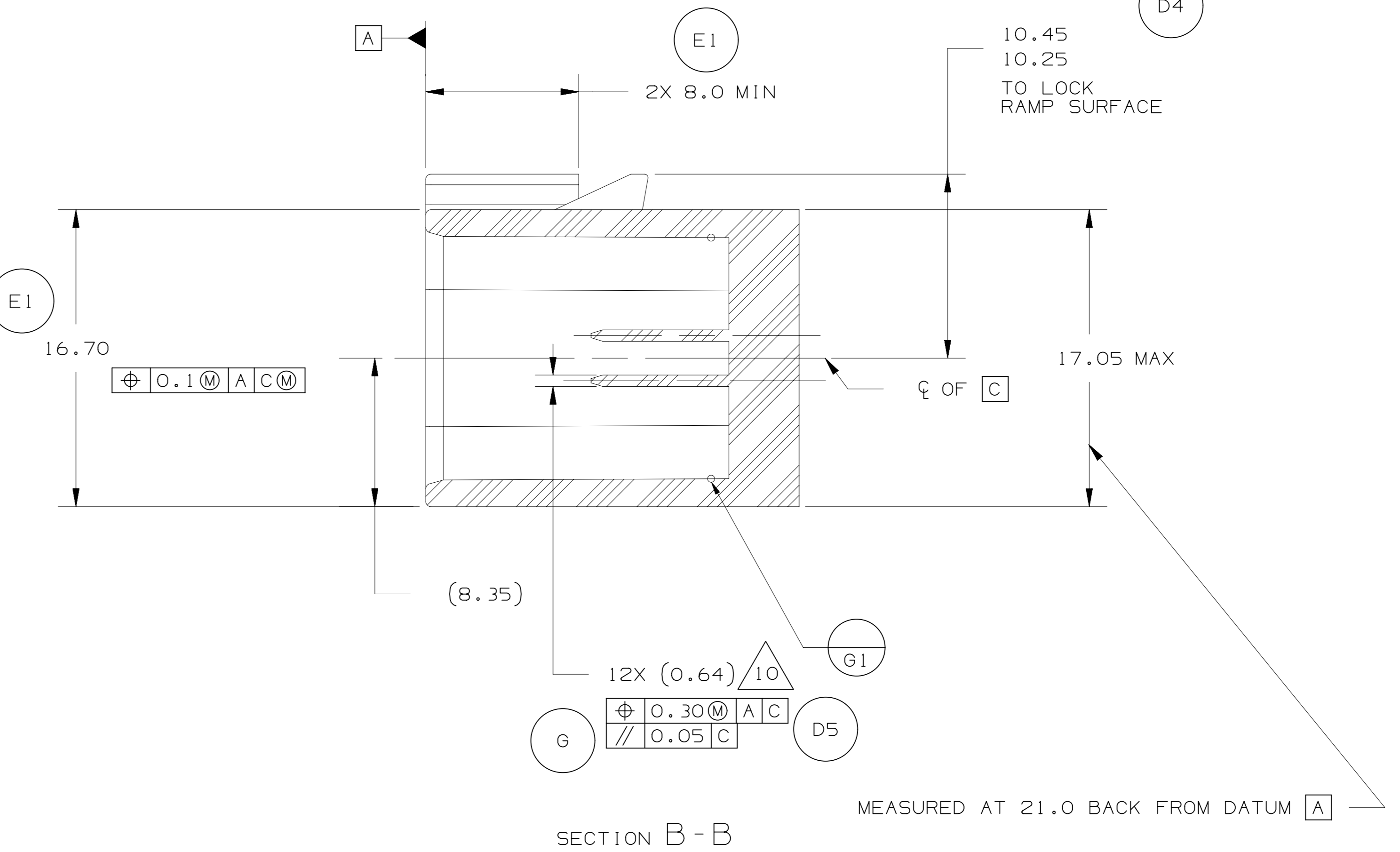
OPTION A SHOWN



SECTION C-C



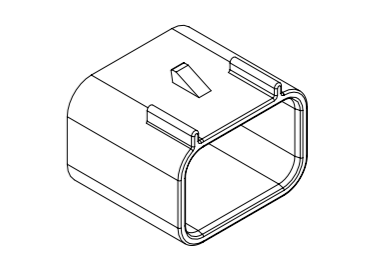
IF HEADER IS RECESSED INTO A POCKET, THESE DIMENSIONS REPRESENT THE CLEARANCE REQUIRED FOR THE MATING CONNECTOR SHROUD



SECTION B-B

MEASURED AT 21.0 BACK FROM DATUM A

- NOTES:
- ALL DIMENSIONS SHOWN IN MILLIMETERS.
 - DIMENSIONING AND TOLERANCING PER ASME Y14.5M-1994.
 - RADII ON ALL CORNERS SHOWN SHARP OR ALL UNSPECIFIED RADII: 0.25 EXCEPT AS NOTED.
 - REFER TO "SAE/USCAR-12 CONNECTOR DESIGN GUIDELINES" FOR ADDITIONAL INFORMATION.
 - A FULL SHROUD ON THE MATING CONNECTOR IS REQUIRED TO INSURE THAT THE CONNECTOR-HEADER POLARIZATION FEATURES (OPTIONS A THROUGH D) WILL FUNCTION. THE FULL SHROUD ALSO PREVENTS SCOOP DAMAGE TO THE HEADER PINS. REFER TO "SAE/USCAR-12 CONNECTOR DESIGN GUIDELINES" FOR ADDITIONAL INFORMATION.
 - RECOMMENDED COLORS FOR POLARIZATION - DEVIATION REQUIRES APPROVAL OF AUTHORIZED PERSON.
 - SECTION LINES ARE COMMON TO ALL OPTIONS.
 - DIMENSIONS IN () ARE FOR REFERENCE.
 - FOR PIN GEOMETRIC AND PLATING REQUIREMENTS, REFER TO EWCAP DWS. NO. EWCAP-001, DETAIL 064-T001



ISOMETRIC VIEW
SCALE 1:1

133	G	ADDED PARALLELISM CONTROL	06J17	GGD	BB
066	F1	064-S-012-2-Z01 WAS [50-S-012-2-Z01]	28JUN06	JC	JJ
		DIM 2X 8.0 MIN WAS 2X 8.6 MIN			
		DIM 21.18/20.98 WAS 21.18/21.98			
046	E1	DIM 16.70 WAS 16.7	27MY04	MB	JD
D10		15° WAS 17°/13°			
D9		ADDED PKG DIM 6.0 MIN			
D8		R 0.3 ADDED			
D7		ADDED NOTE 10.			
D6		ANGLES TOLERANCE ±2° WAS 0°/30°			
D5		ADDED FEATURE CONTROL BOX			
		MOVED PIN DETAILS TO DRG. EWCAP-001			
		EDIT DRAWING TO CONFORM TO THE LATEST USCAR SPECIFICATION			
D4		ADDED DIM 10.45/10.25 AND NOTE "TO LOCK RAMP SURFACE".			
D3		REMOVED DIM 13°/17° FROM DETAIL E			
D2		ADDED NOTE C OF DATUM E TO C OF PINS AND MOVED DIM FROM SET. A-A			
024	D1	REMOVED NOTICE	08MAY03	JC	JJ
012A	C	SEE CHANGE NOTICE	04FEO3	JC	JJ
006	B	PIN NOTES UPDATED.	22MAY02		
		DIMENSIONS UPDATED.			
		NO PHYSICAL CHANGES MADE TO THE DESIGN.			
	A	RELEASED	30AUG01	RRF	
CHANGE SHEET NUMBER	LET REVISION RECORD		DATE	DWN	CHK
	TOLERANCES UNLESS OTHERWISE SPECIFIED:				
	DIMENSIONS ARE IN MILLIMETERS				
	ANGLES ± 2°				
	XX ± .25				
USCAR-EWCAP					
SCALE	1-4	DRAWN BY	J. CUPIT	CHECKED BY	J. JONES
DATE					
DIRECT CONNECT INTERFACE - 12 WAY (2X6) 0.64MM SEALED MALE					
SHEET NUMBER	1-1	DATE	064-S-012-2-Z01	REV	E
DATE		BY	J. JONES	REVISED DRAWING	
REVISION LEVEL					G

DELPHI
CONNECTION SYSTEMS
15438866 REV 02AB

064-S-012-2-A01