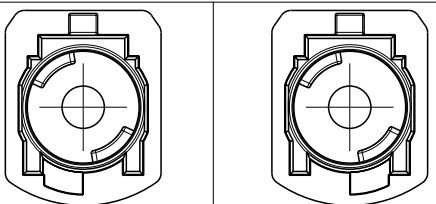
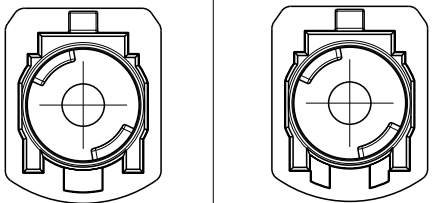


POLARIZATION CODING
SCALE 2:1



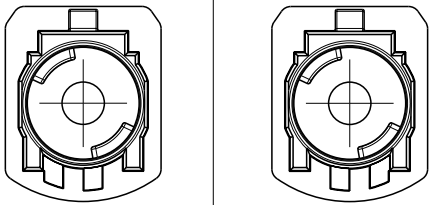
CODE A
RIBS 1.2

CODE B
RIBS 3.4



CODE C
RIBS 2.3

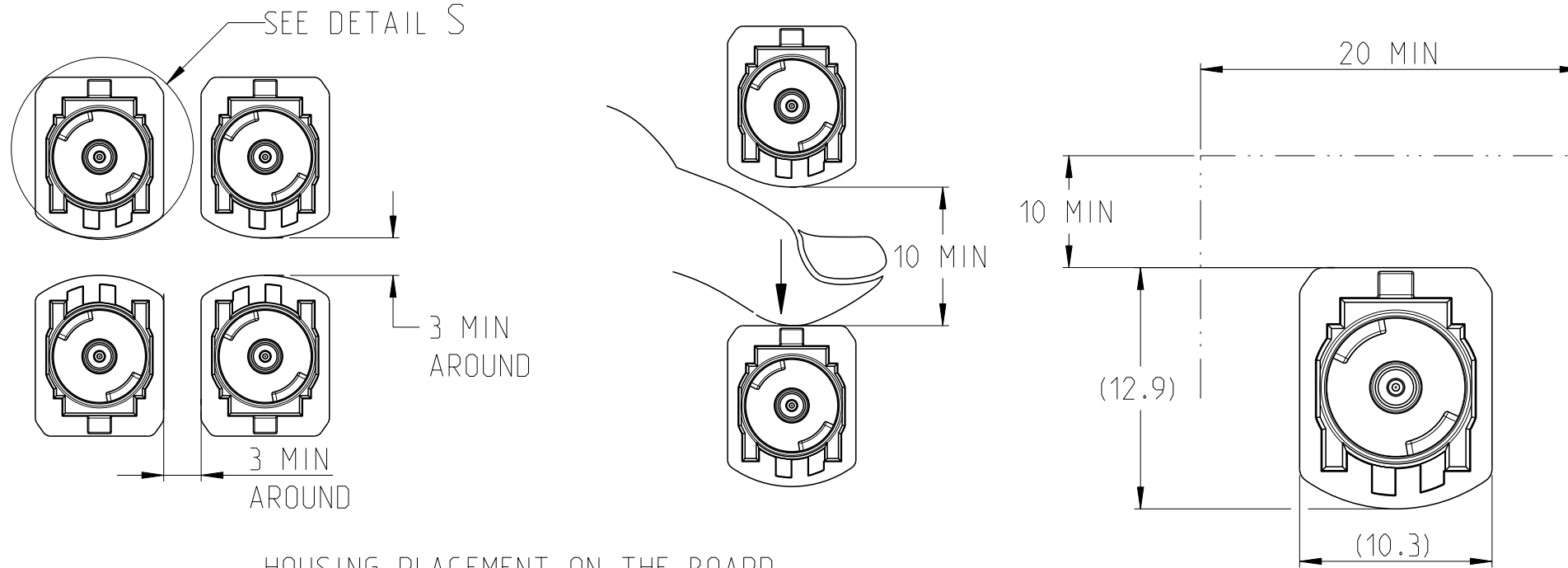
CODE D
RIBS 1.4



CODE E
RIBS 1.3

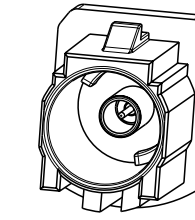
CODE F
RIBS 2.4

PACKAGING VIEWS

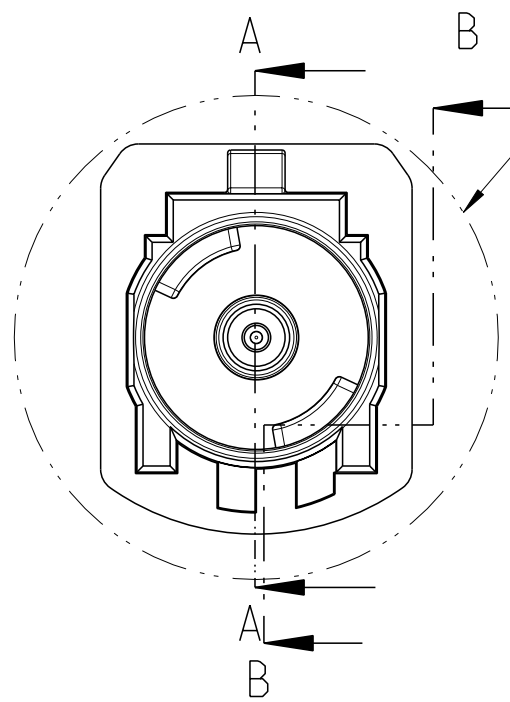


HOUSING PLACEMENT ON THE BOARD
SCALE 2:1
REQUIRED SPACE FOR ACTUATION
(CABLE CONNECTOR NEEDS TO BE CONSIDERED)

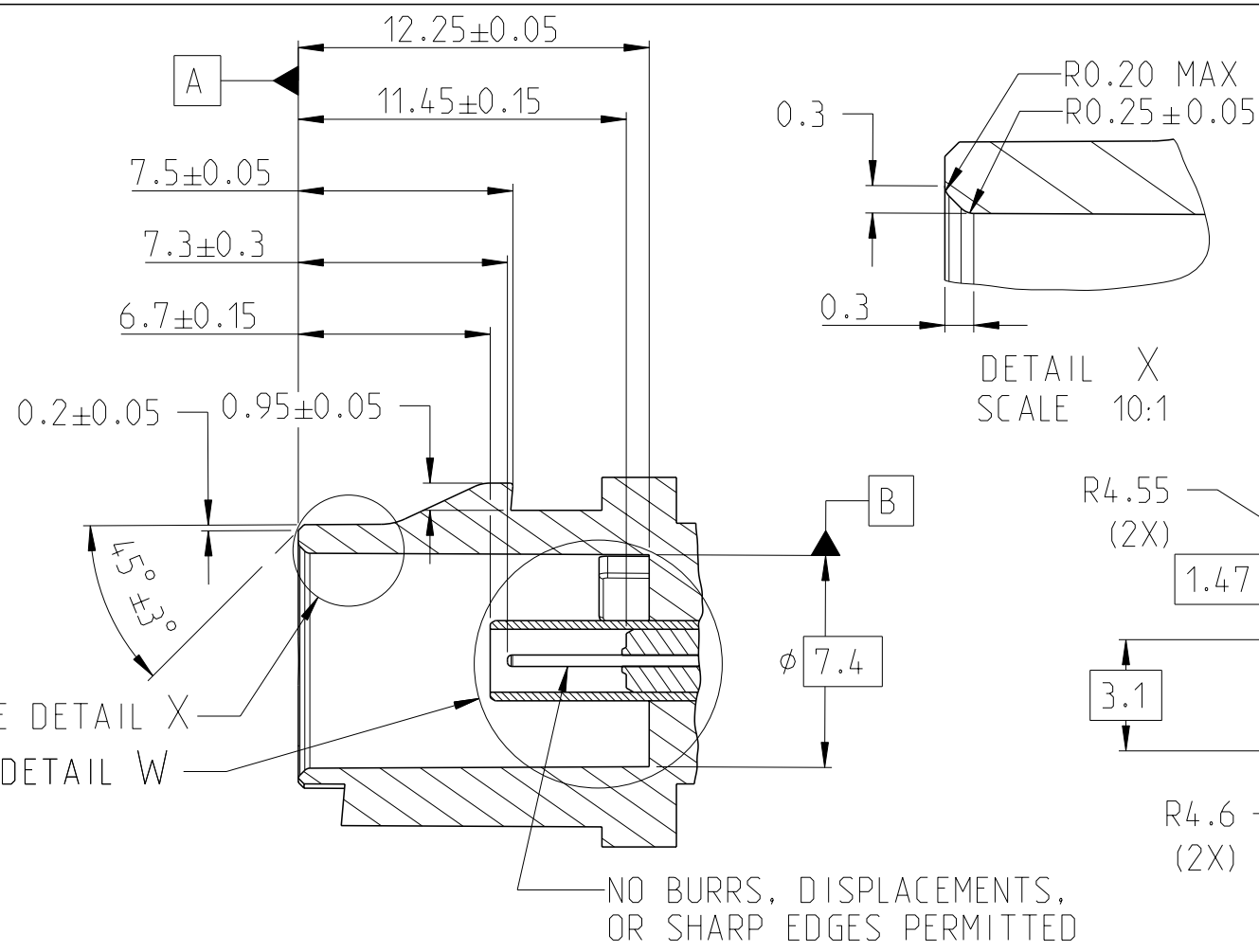
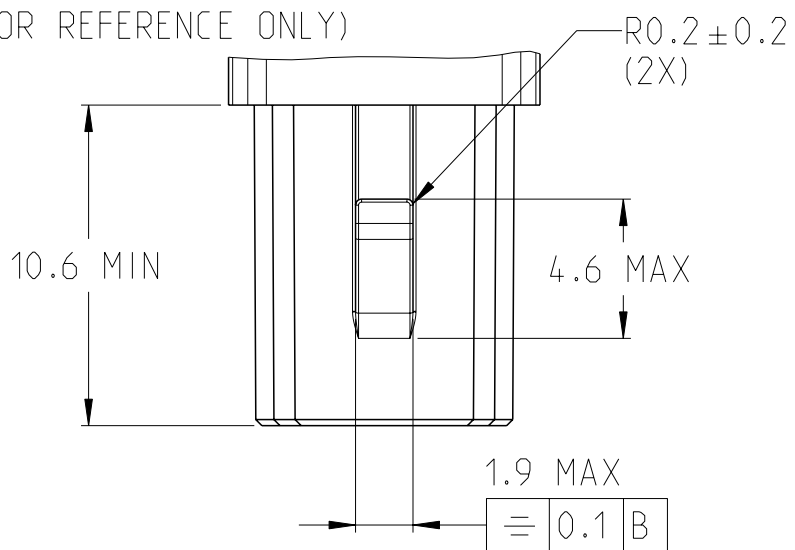
DETAIL S
SCALE 3:1
REQUIRED SPACE FOR ACTUATION
(CABLE CONNECTOR NEEDS TO BE CONSIDERED)



ISOMETRIC VIEW
SCALE 2:1

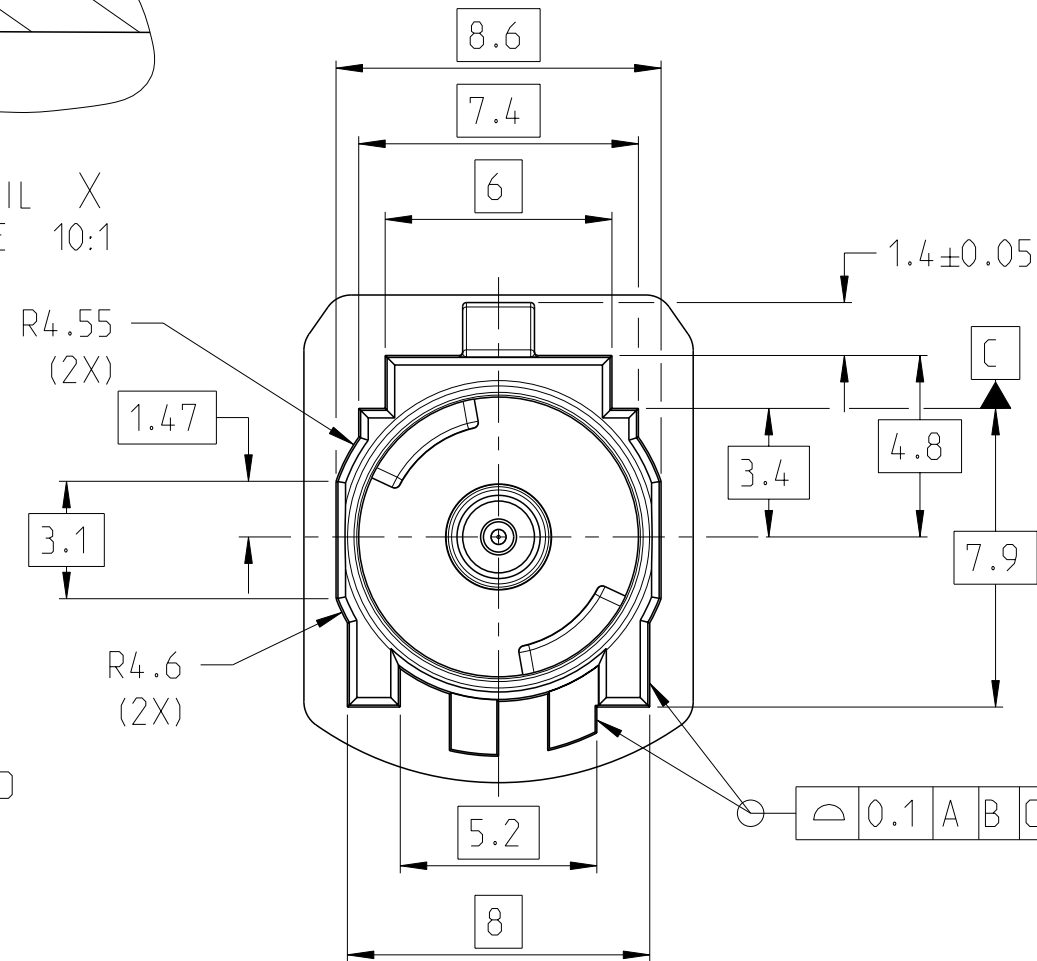


CODE "F" AS SHOWN
(FOR REFERENCE ONLY)



SECTION A-A

DETAIL X
SCALE 10:1



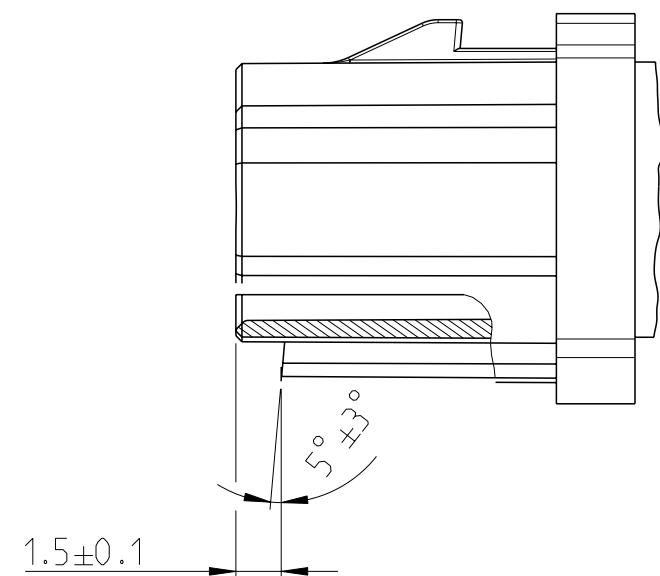
DETAIL T
SCALE 5:1

NOTES: UNLESS OTHERWISE SPECIFIED

1. DIMENSIONING AND TOLERANCING PER ISO 8015.
2. 0.25 MAX RADII ON ALL CORNERS SHOWN SHARP.
3. ALL UNSPECIFIED RADII 0.25 MAX.
4. STANDARD COLORS FOR POLARIZATION (SEE CHART IN LEFT LOWER CORNER OF THE DRAWING SHEET).
5. EXCEPT WHERE NOTED, DRAFT ON OUTSIDE SURFACES IS PERMISSIBLE WITHIN TOLERANCE.
6. \square SYMBOL DENOTES DIMENSIONS THAT MAY BE UTILIZED TO MONITOR PART QUALITY.
7. WHEN USING SILVER PLATED TERMINALS, THE SILVER PLATING MUST STOP A MINIMUM OF 1mm FROM HEADER PLASTIC.

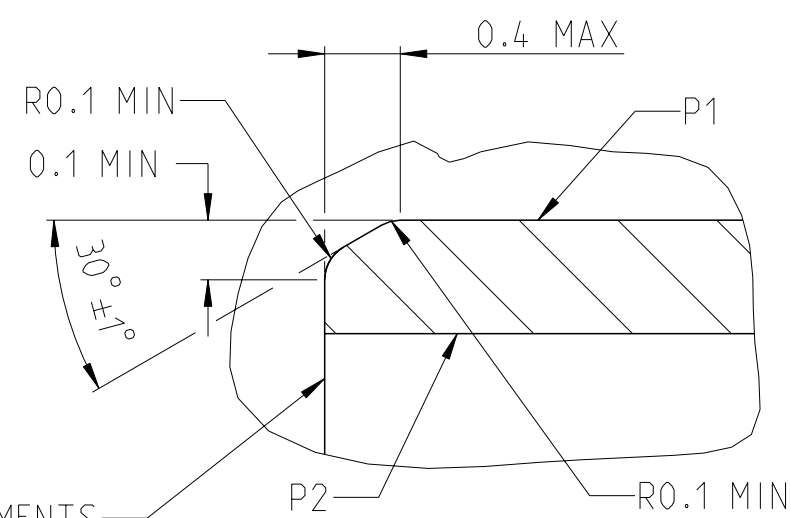
A	JET BLACK
B	PURE WHITE
C	LIGHT BLUE
D	CLARET VIOLET
E	MAY GREEN
F	NUT BROWN
POLARITY	MATING CONNECTOR COLOR

TOLERANCES (UNLESS OTHERWISE SPECIFIED)		
DIMENSIONS ARE IN MILLIMETERS		
ANGLES $\pm 1^\circ$		
X.X ± 0.1		X.XX ± 0.05
SCALE 4:1		
TITLE		
ISO 8092-7 Waterproof Type B		
SHEET 1 OF 2	DRAWING NUMBER -	SIZE A2
DO NOT SCALE DRAWING COMPUTER AIDED DRAWING		REVISION LEVEL A

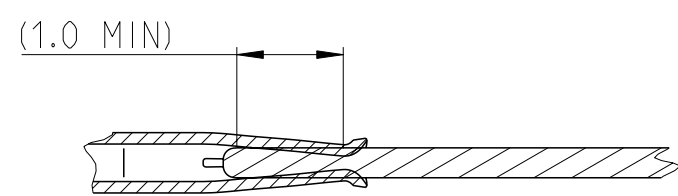
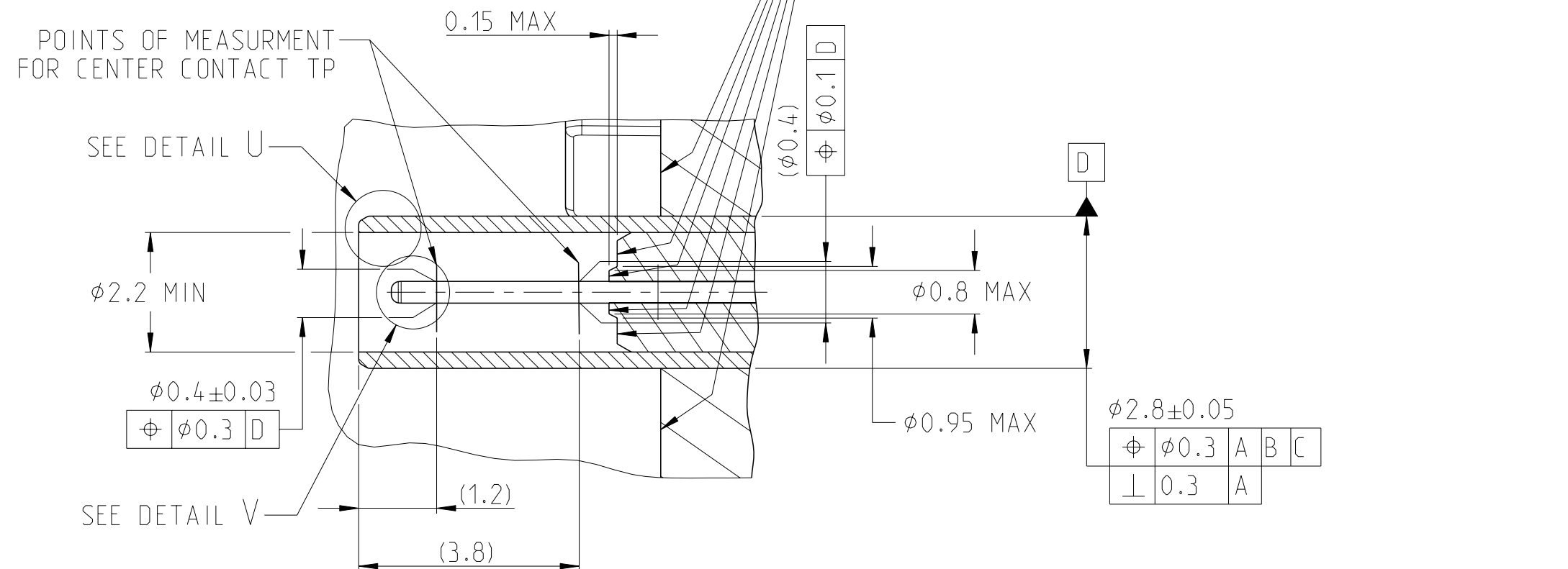


SECTION B-B
ALL CODING RIBS

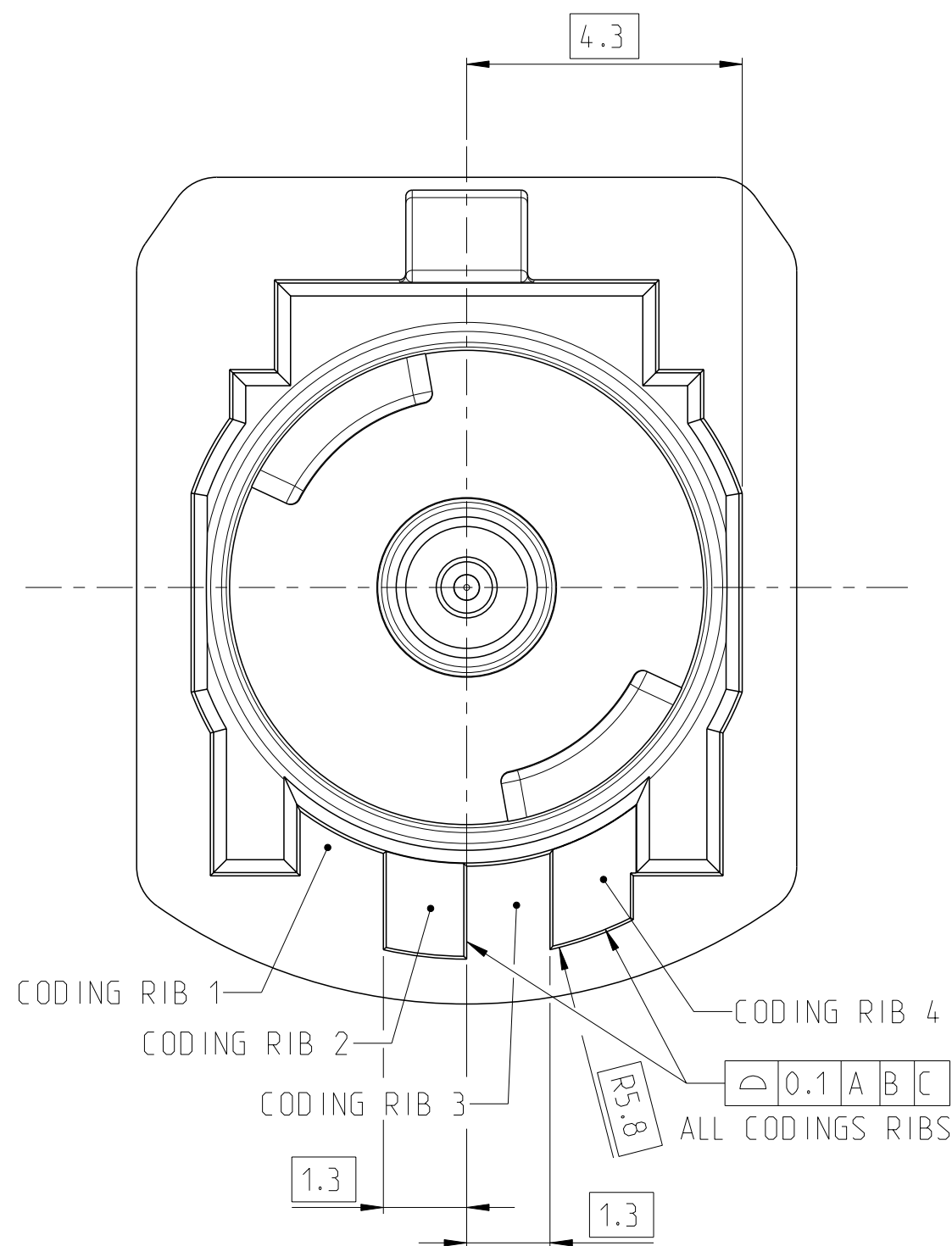
NO BURR, DISPLACEMENTS
OR SHARP EDGES PERMITTED
IN AREAS BETWEEN P1 ↔ P2



DETAIL U
SCALE 50:1

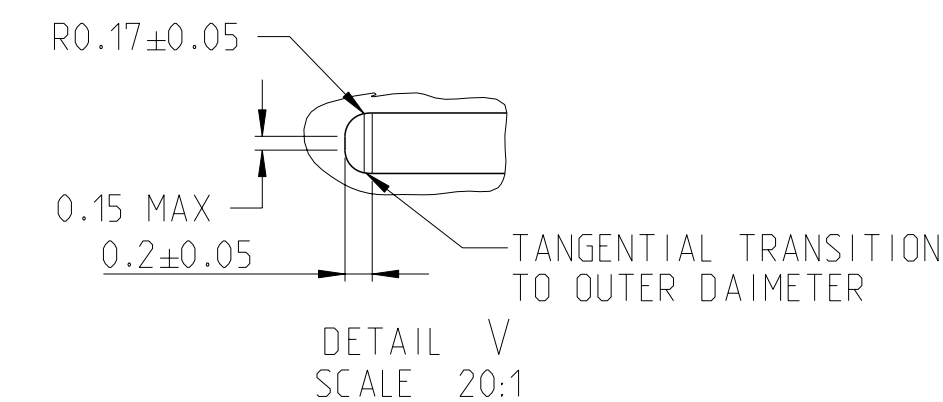


SOCKET CONTACT - CONTACT WIPE
SCALE 10:1

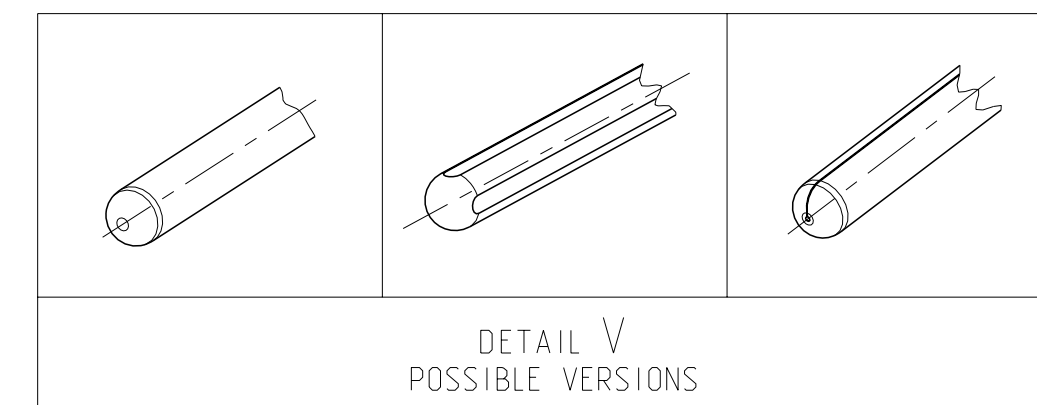


POLARIZATION CODING RIB LOCATIONS
SCALE 10:1
ALL CODINGS RIBS
(CODE "F" SHOWN FOR REFERENCE ONLY
SEE POLARIZATION CODING TABLE)

DETAIL W
SCALE 10:1



DETAIL V
SCALE 20:1



OPTION 1: 0.8 μm MIN Sn OVER 1.0 μm MIN Ni OPTION 2: HOT DIPPED 0.8 μm MIN Sn	OUTER CONTACT
2.0 μm MIN Ag OVER 1.0 μm MIN Ni	INNER CONTACT
PLATING OF CONTACT AREA	

TOLERANCES (UNLESS OTHERWISE SPECIFIED)		FIRST ANGLE PROJECTION	
DIMENSIONS ARE IN MILLIMETERS		FIRST ANGLE PROJECTION	
ANGLES ± 1°		FIRST ANGLE PROJECTION	
X.X ± 0.1	X.XX ± 0.05	FIRST ANGLE PROJECTION	
SCALE 4:1			
TITLE			
ISO 8092-7 Waterproof Type B			
SHEET 2 OF 2	DRAWING NUMBER -	SIZE A2	DO NOT SCALE DRAWING COMPUTER AIDED DRAWING
		REVISION LEVEL A	