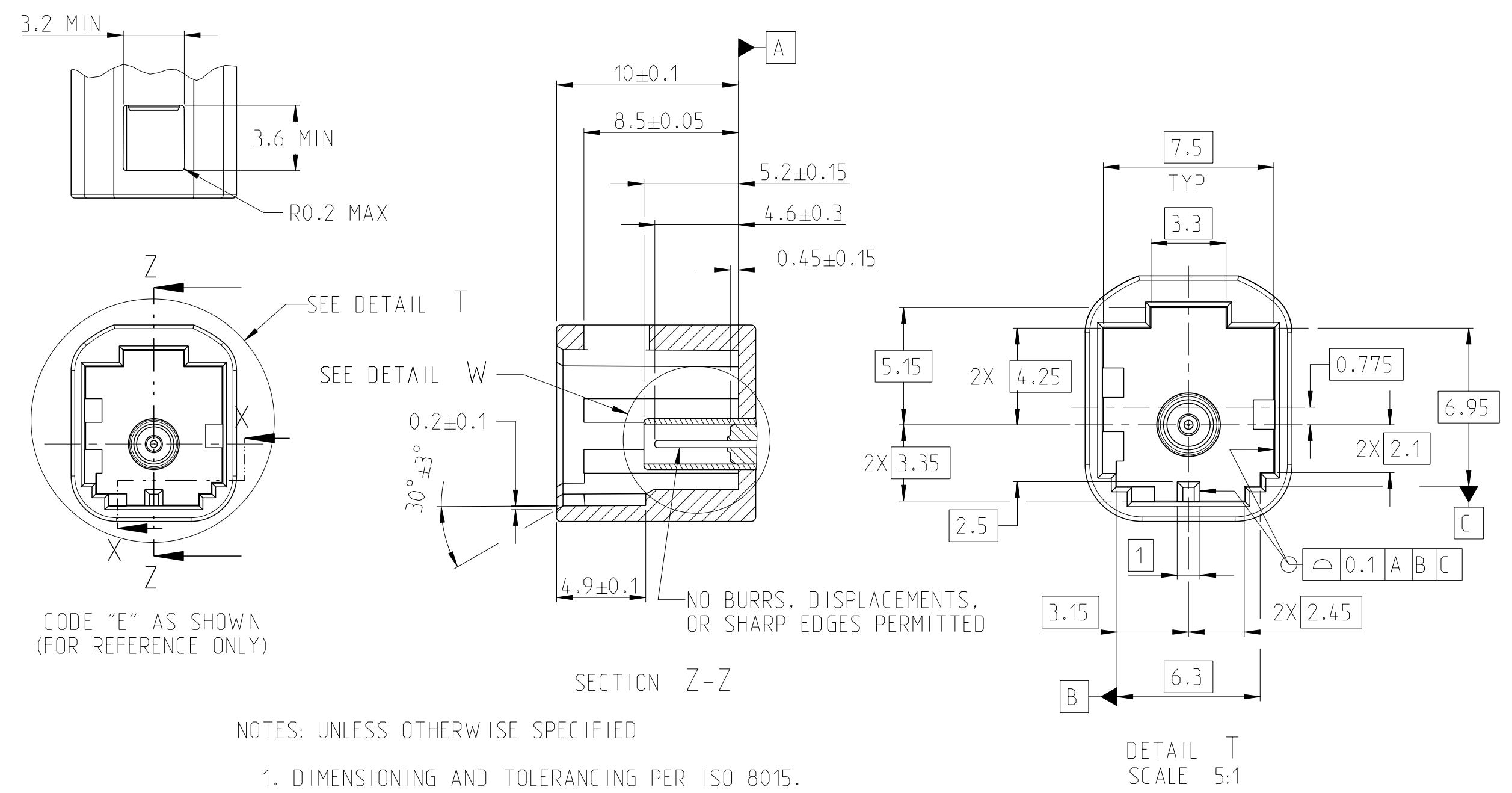
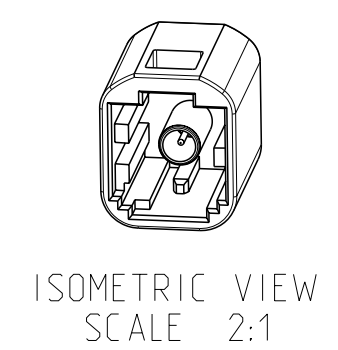
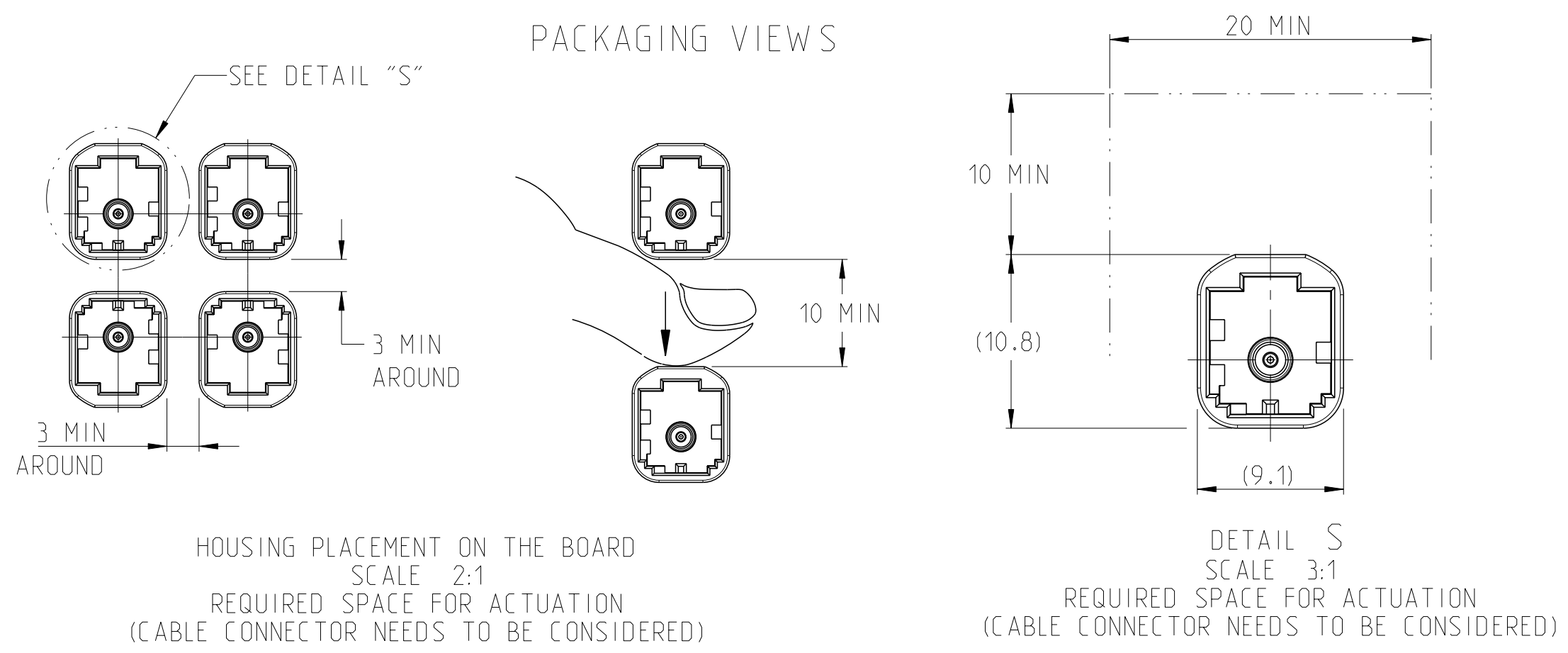


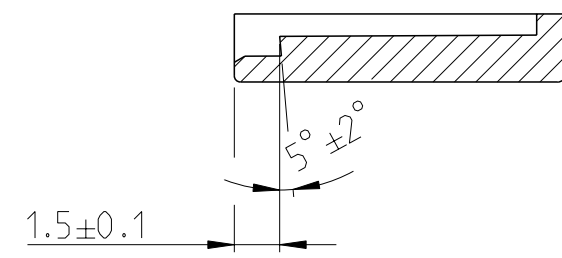
POLARIZATION CODING SCALE 2:1	
CODE A RIBS 2,3,5,6	CODE B RIBS 3,4,7,8
CODE C RIBS 1,4,6,7	CODE D RIBS 1,2,5,8
CODE E RIBS 1,3,4,7	CODE F RIBS 1,4,7,8
CODE G RIBS 1,2,5,6	CODE H RIBS 2,3,5,8
CODE J RIBS 2,5,6,8	CODE K RIBS 4,6,7,8
CODE L RIBS 3,4,6,7	CODE M RIBS 1,2,3,5



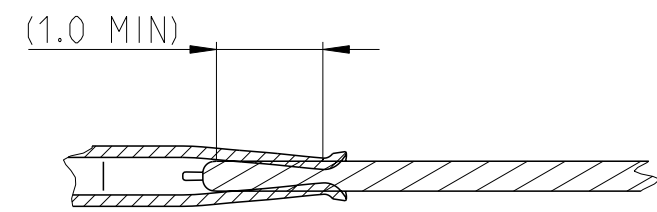
- NOTES: UNLESS OTHERWISE SPECIFIED
1. DIMENSIONING AND TOLERANCING PER ISO 8015.
 2. 0.25 MAX RADII ON ALL CORNERS SHOWN SHARP.
 3. ALL UNSPECIFIED RADII 0.25 MAX.
 4. STANDARD COLORS FOR POLARIZATION (SEE CHART IN LEFT LOWER CORNER OF THE DRAWING SHEET).
 5. EXCEPT WHERE NOTED, DRAFT ON OUTSIDE SURFACES IS PERMISSIBLE WITHIN TOLERANCE.
 6. SYMBOL DENOTES DIMENSIONS THAT MAY BE UTILIZED TO MONITOR PART QUALITY.
 7. WHEN USING SILVER PLATED TERMINALS, THE SILVER PLATING MUST STOP A MINIMUM OF 1mm FROM HEADER PLASTIC.

A	JET BLACK
B	PURE WHITE
C	LIGHT BLUE
D	CLARET VIOLET
E	MAY GREEN
F	NUT BROWN
G	BLUE GREY
H	HEATHER VIOLET
J	BEIGE
K	CURRY
L	PASTEL GREEN
M	LEAF GREEN
POLARITY	MATING CONNECTOR COLOR

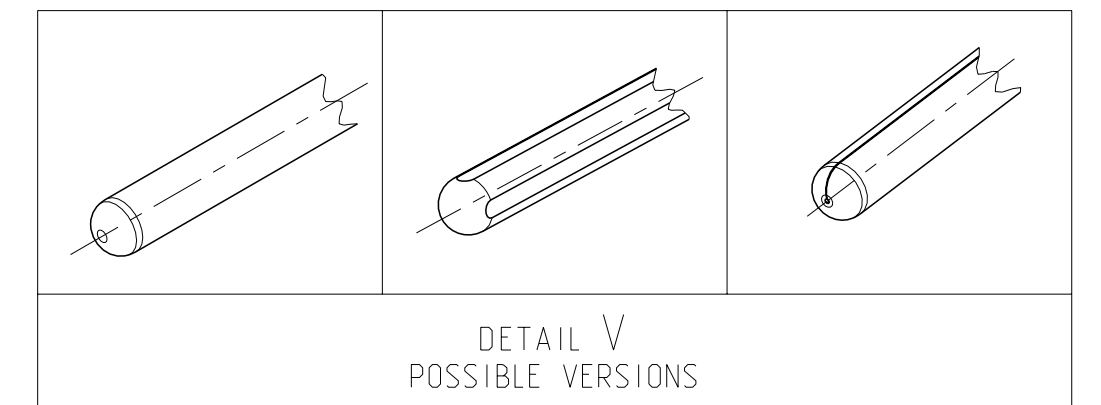
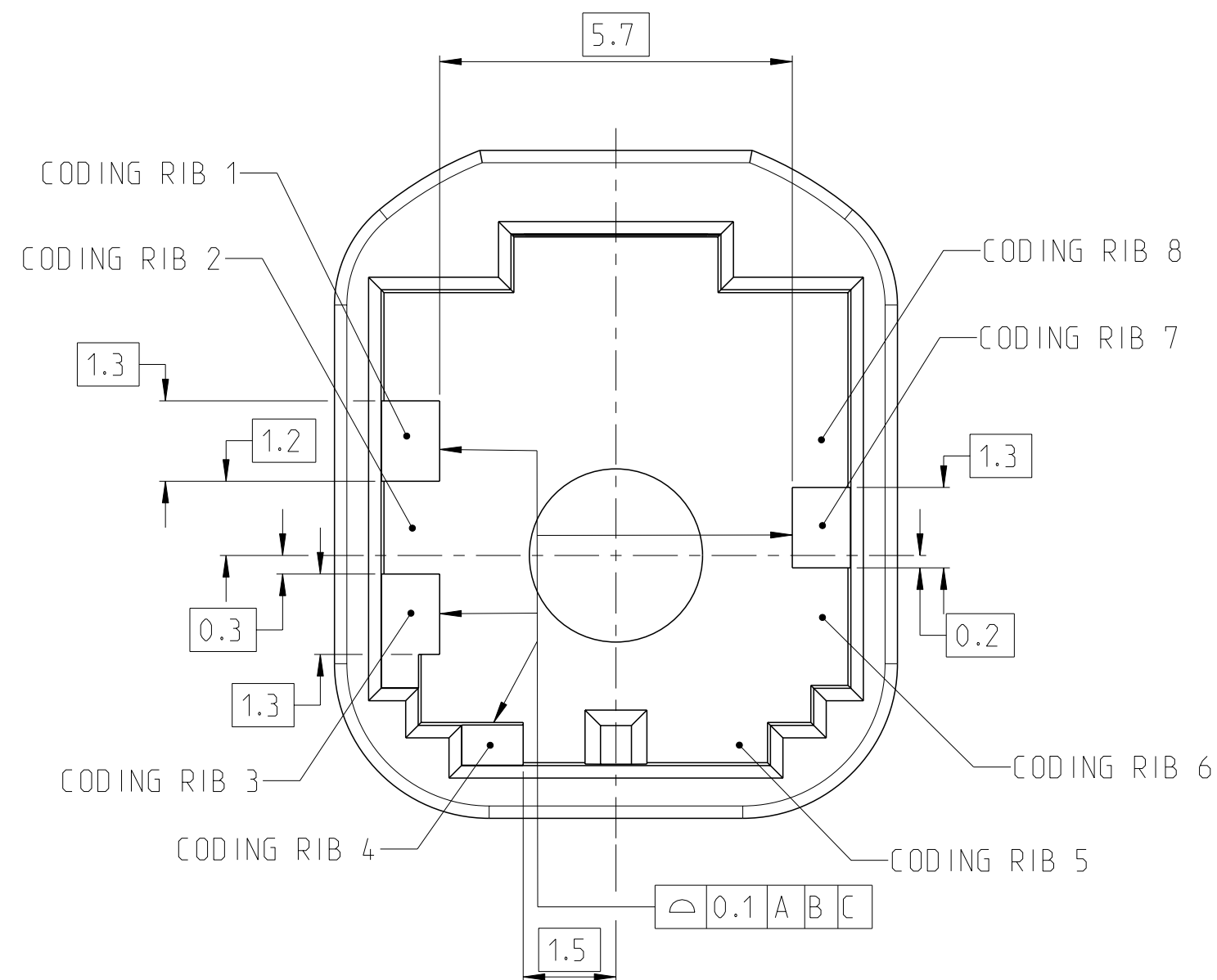
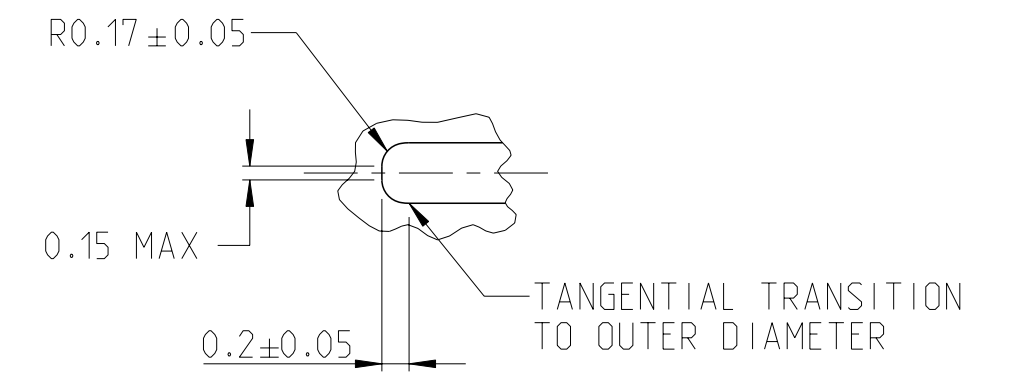
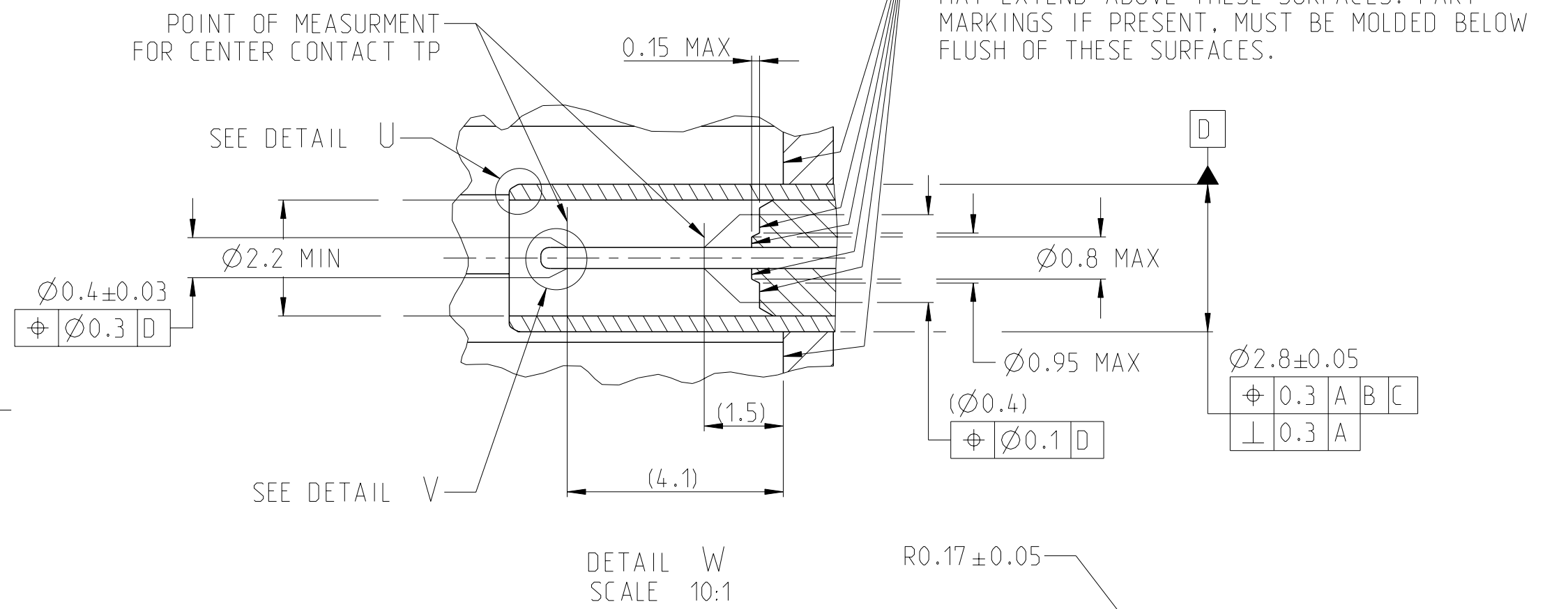
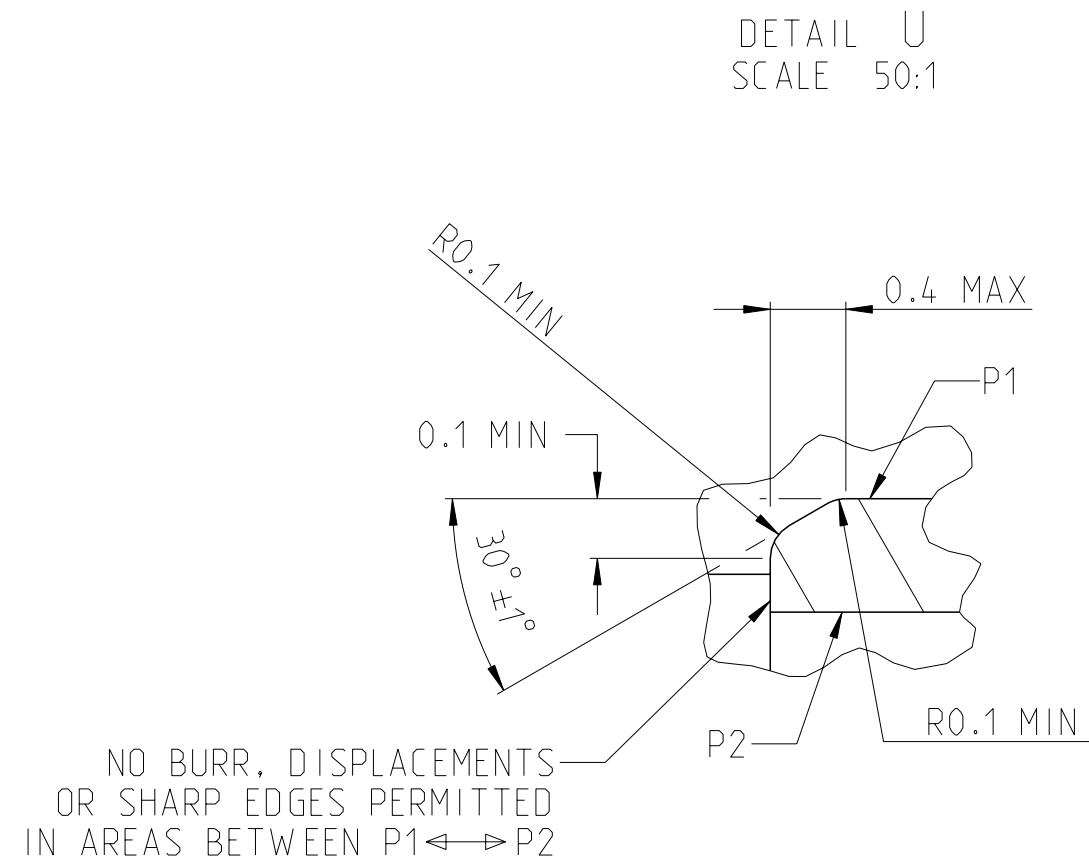
A	INITIAL RELEASE	01/2024
LET	REVISION RECORD	DATE
TOLERANCES (UNLESS OTHERWISE SPECIFIED)		FIRST ANGLE PROJECTION
DIMENSIONS ARE IN MILLIMETERS		
ANGLES ± 1°		
X.X ± 0.1 X.XX ± 0.05		
SCALE	4:1	
TITLE	ISO 8092-7 Unsealed Type B	
SHEET	DRAWING NUMBER	SIZE
1 OF 2	-	A2
	DO NOT SCALE DRAWING	REVISION LEVEL
	COMPUTER AIDED DRAWING	A



SECTION X-X
ALL CODING RIBS



SOCKET CONTACT - CONTACT WIPE
SCALE 10:1



OPTION 1: 0.8 μm MIN Sn OVER 1.0 μm MIN Ni OPTION 2: HOT DIPPED 0.8 μm MIN Sn	OUTER CONTACT
2.0 μm MIN Ag OVER 1.0 μm MIN Ni	INNER CONTACT
PLATING OF CONTACT AREA	

TOLERANCES (UNLESS OTHERWISE SPECIFIED)		FIRST ANGLE PROJECTION	
DIMENSIONS ARE IN MILLIMETERS			
ANGLES ± 1°			
X.X ± 0.1	X.XX ± 0.05		
SCALE	4:1		
TITLE			
ISO 8092-7 Unsealed Type B			
SHEET	DRAWING NUMBER	SIZE	REVISION LEVEL
2 OF 2	-	A2	A
		DO NOT SCALE DRAWING	COMPUTER AIDED DRAWING