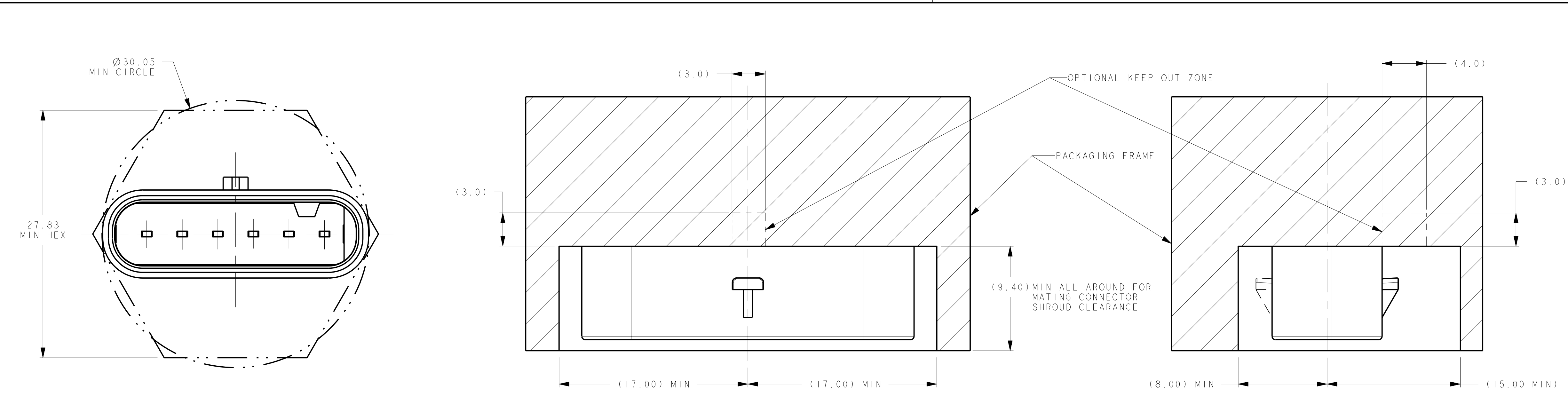


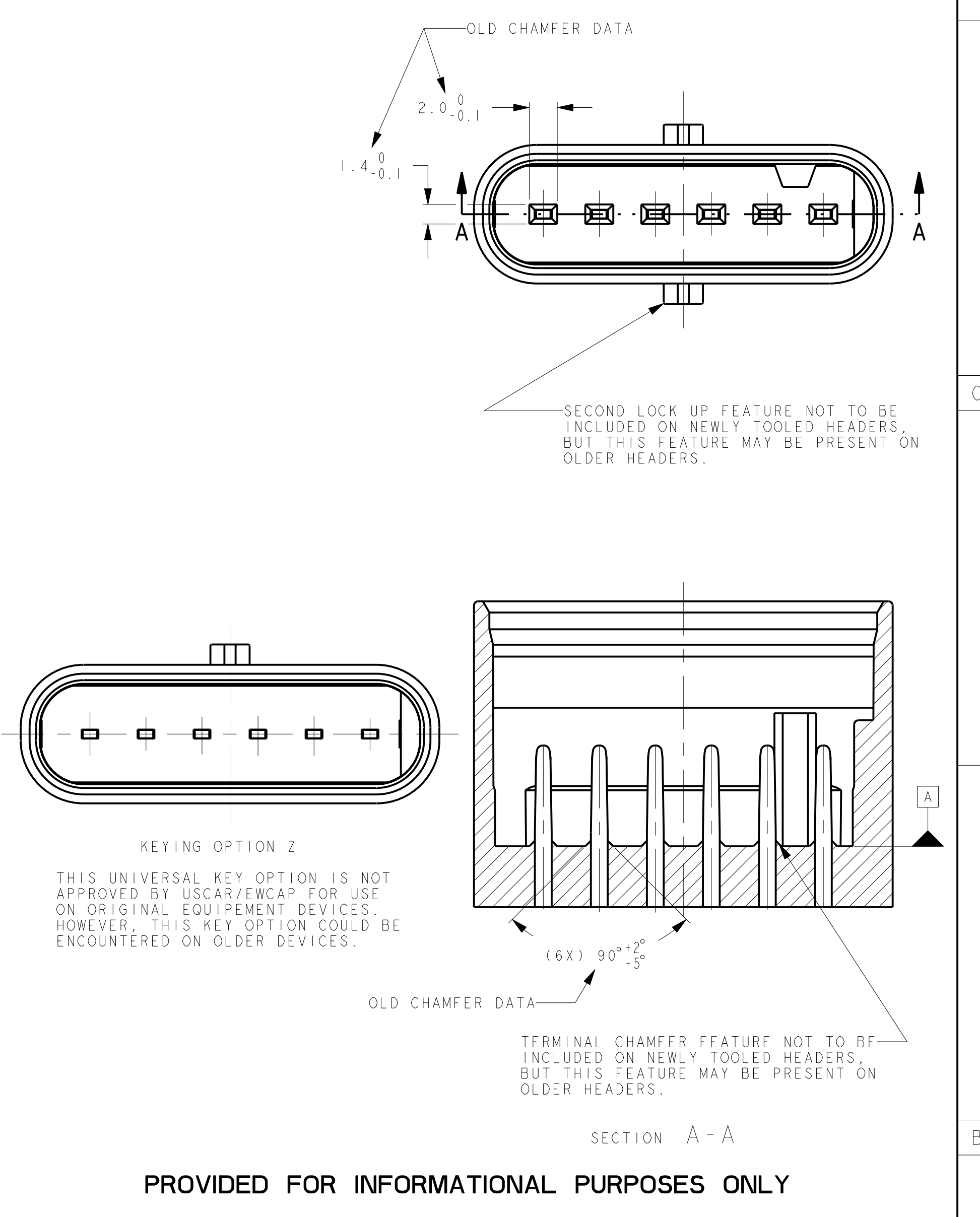
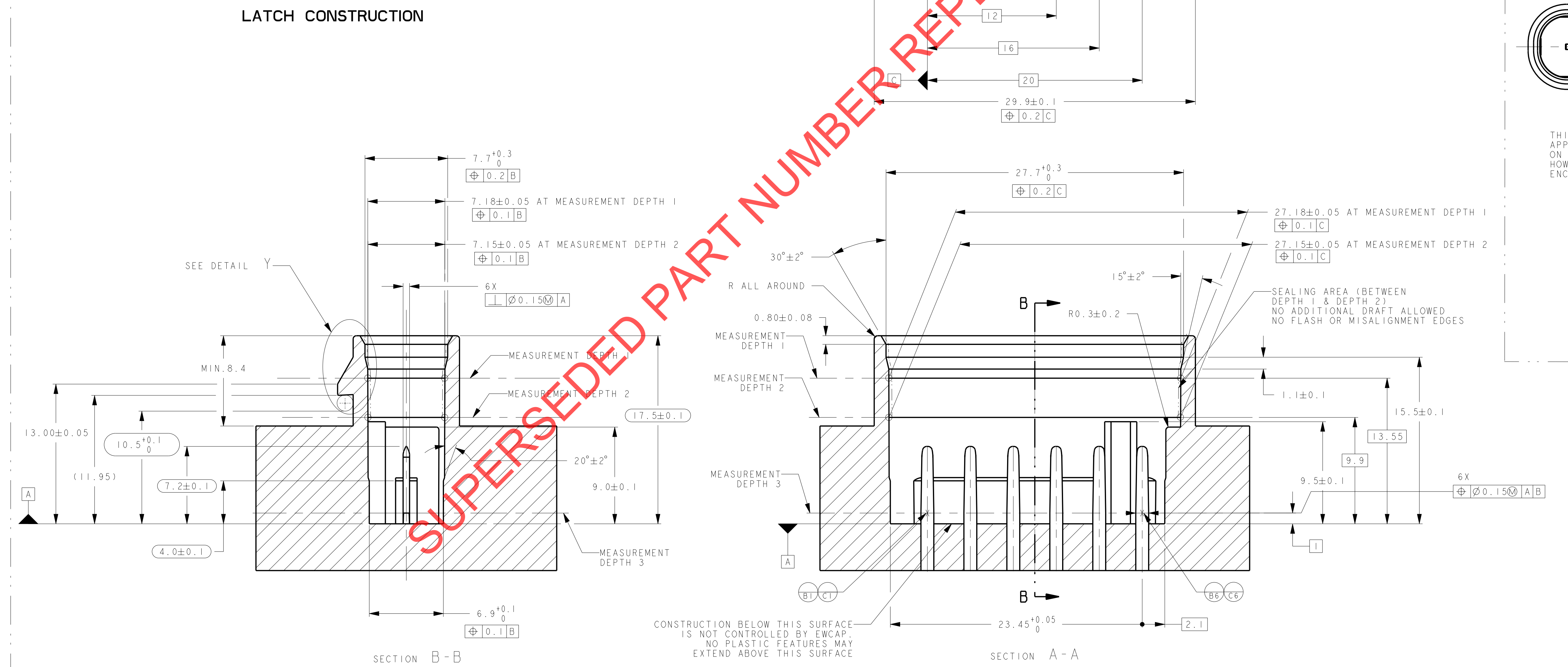
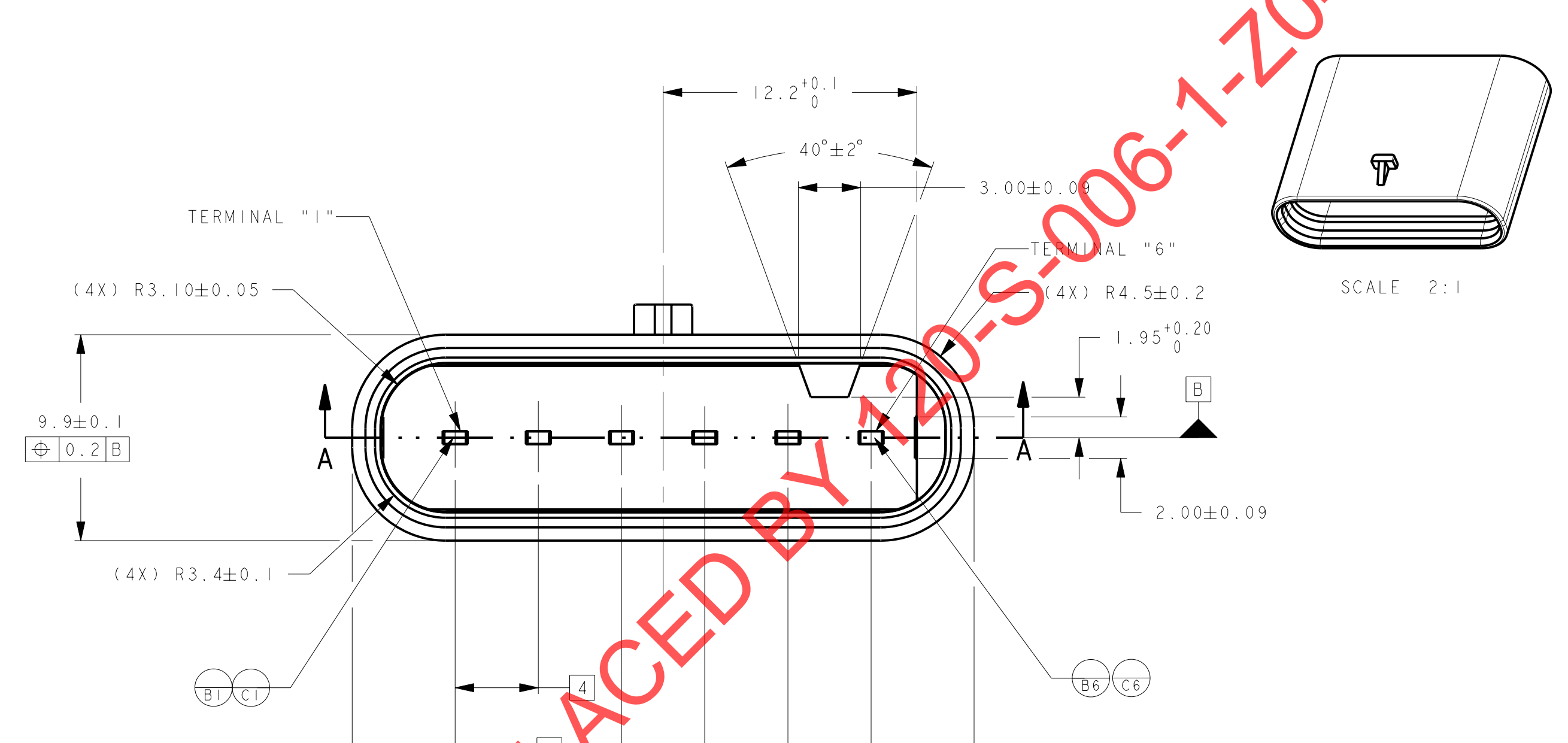
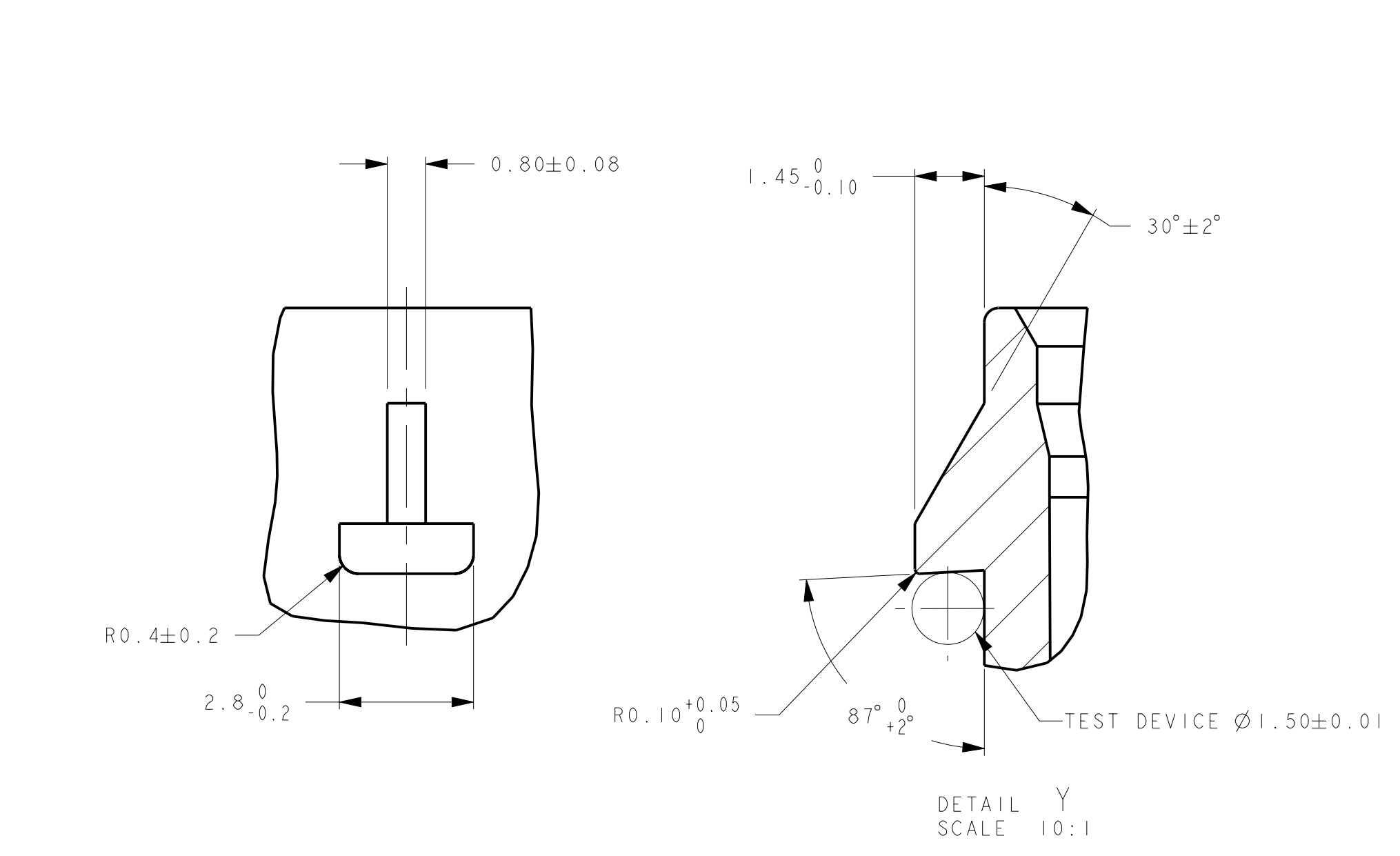
POLARIZATION VIEWS
SCALE 4:1



MINIMUM FIT SIZE - PROVIDED FOR INFORMATIONAL PURPOSES ONLY (BASED ON MAXIMUM MATERIAL CONDITION)

IF THE HEADER IS RECESSED INTO A POCKET, THESE DIMENSIONS REPRESENT THE MINIMUM CLEARANCE REQUIRED FOR THE MATING CONNECTOR SHROUD

NOTICE
THIS DRAWING, OR PORTIONS OF IT, ARE CONTROLLED BY THE ELECTRICAL WIRING COMPONENTS APPLICATION PARTNER-SHIP (EWCAP), A SUBGROUP OF THE UNITED STATES CONSORTIUM FOR AUTOMOTIVE RESEARCH (USCAR). USCAR IS A PARTNERSHIP BETWEEN DAIMLERCHRYSLER CORPORATION, FORD MOTOR COMPANY, AND GENERAL MOTORS CORPORATION. ANY CHANGE TO A EWCAP CONTROLLED PORTION OF THIS DRAWING, INCLUDING A "RECORD CHANGE," MUST BE APPROVED, IN WRITING, BY THE RESPONSIBLE EWCAP MEMBER FROM EACH USCAR COMPANY. EACH EWCAP MEMBER AUTHORIZED TO SIGN FOR HIS OR HER COMPANY IS RESPONSIBLE FOR OBTAINING ALL NECESSARY APPROVALS WITHIN THAT COMPANY PRIOR TO SIGNING FOR APPROVAL OF THE CHANGE. EWCAP EXPRESSLY PROHIBITS ANY PARTY FROM CHANGING EITHER ANY EWCAP CONTROLLED PORTION OF THIS DRAWING OR ANY ASSOCIATED TOOLING BEFORE RECEIVING AN APPROVAL SIGNED BY AN AUTHORIZED REPRESENTATIVE FROM EACH EWCAP PARTNER. REFERENCE TO THE SIGNED APPROVAL FORM MUST BE ENTERED IN THIS DRAWING'S CONTROL COLUMN.



SUPERSEDED PART NUMBER REPLACED BY 120-S-006-1-Z04

- NOTES: UNLESS OTHERWISE SPECIFIED
- ALL DIMENSIONS SHOWN IN MILLIMETERS.
 - DIMENSIONING AND TOLERANCING PER ASME Y14.5M-1994
 - RADIUS ON ALL CORNERS SHOWN SHARP OR ALL UNSPECIFIED RADIUS: 0.25 EXCEPT AS NOTED.
 - A FULL SHROUD ON THE MATING CONNECTOR IS REQUIRED TO INSURE THAT THE CONNECTOR-HEADER POLARIZATION FEATURES (OPTIONS A THRU H) WILL FUNCTION. THE FULL SHROUD ALSO PREVENTS SCOOP DAMAGE TO THE HEADER PINS. REFER TO "SAE/USCAR-12 CONNECTOR DESIGN GUIDE LINES" FOR ADDITIONAL INFORMATION.
 - REFER TO USCAR/EWCAP PART LIST AS FOUND ON WEBSITE [HTTP://WWW.USCARTEAMS.ORG](http://www.uscarteams.org)
 - FOR BLADE BASE MATERIAL, PLATING AND PROCESS LUBRICANT SEE EWCAP DRW. NO. EWCAP-001
 - THIS PART HAS BEEN PREVIOUSLY DESIGNED AND TOOLED WITH THE DATUM REFERENCES AS SHOWN. THE DATUM REFERENCE USED ON THIS DRAWING TAKES PRECEDENCE OVER THE EWCAP DRAWING GUIDELINE DATUM REFERENCE REQUIREMENT.

099	C	ADDED NOTE CHANGING STATUS TO NOT RECOMMENDED	12-13-13	SR	MGM
082	B	ADDED KEYING OPTIONS E, F, G & H AND ADDED NOTE FOR CONSTRUCTION 05-18-10 BELOW DATUM A		SR	FAH
	A	RELEASED	01-08-09	SR	FAH
CHANGE SERIAL NUMBER	LET	REVISION RECORD	DATE	DWN	CHK
		TOLERANCES (UNLESS OTHERWISE SPECIFIED)			
		DIMENSIONS ARE IN MILLIMETERS			
		ANGLES $\pm 2^\circ$			
		X, X.X ± 0.25			
		X, XX ± 0.10			
		THIRD ANGLE PROJECTION			
		EWCAP			
SCALE	5:1	DRAWN BY	RANGARAJAN	CHECKED BY	FRANK HOLUB
DATE					11-20-2008
TITLE	DIRECT CONNECT INTERFACE				
	6 WAY (1 X 6) 1.2MM SEALED MALE				
SHEET	1 of 1	DRAWING NUMBER	120-S-006-1-Z01	SIZE	E
				DO NOT SCALE DRAWING	REVISION LEVEL C
				COMPUTER AIDED DRAWING	