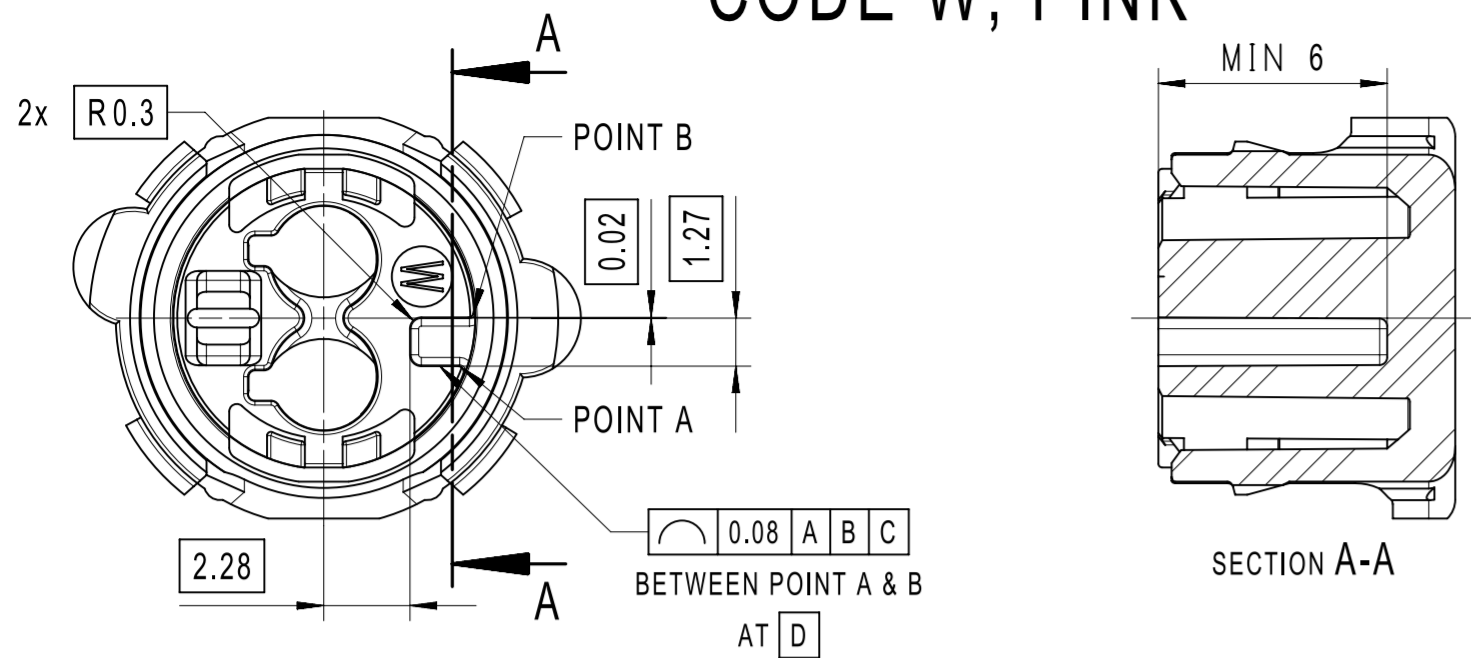
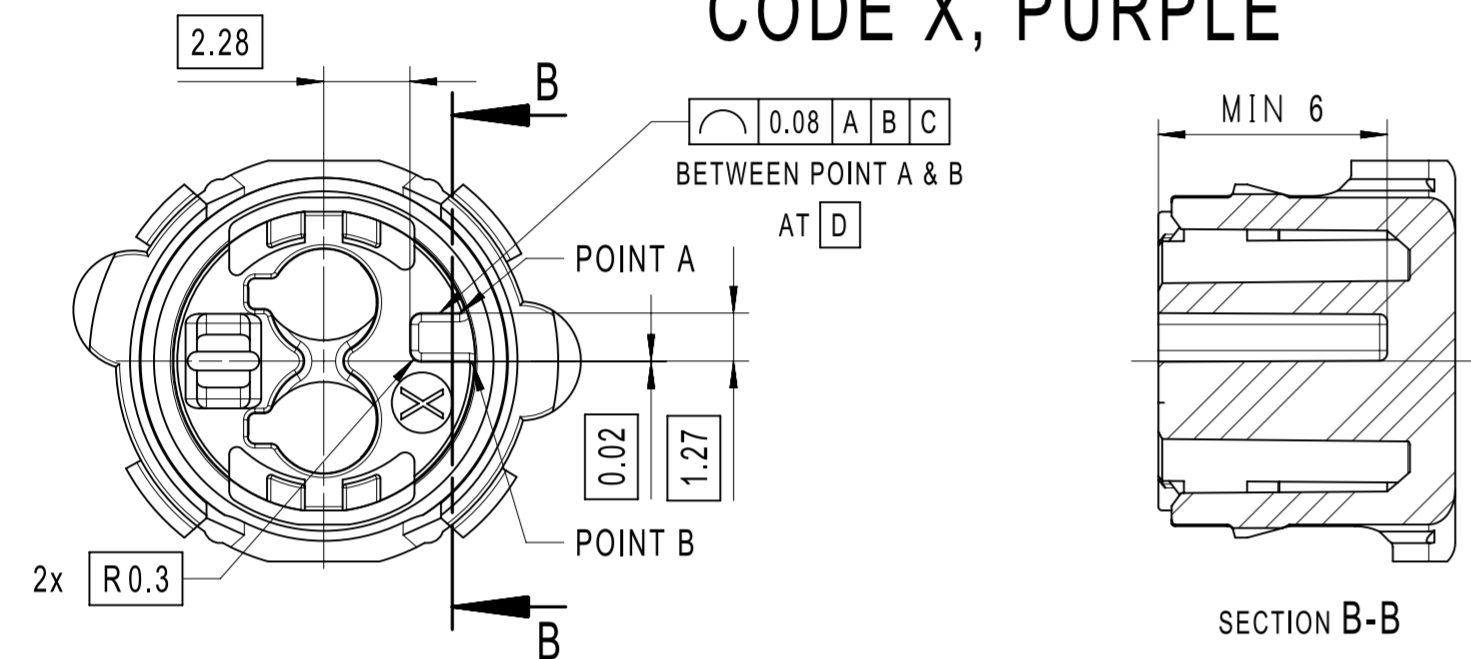


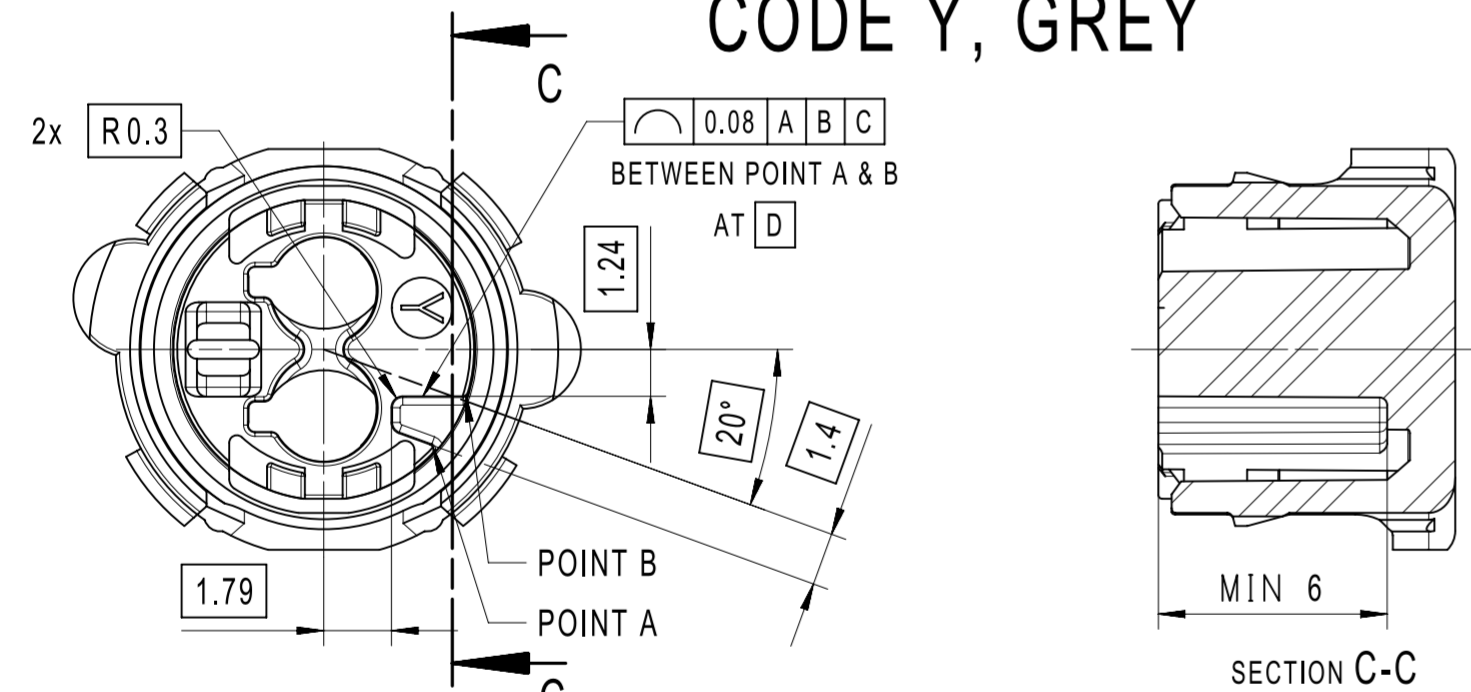
CODE W, PINK



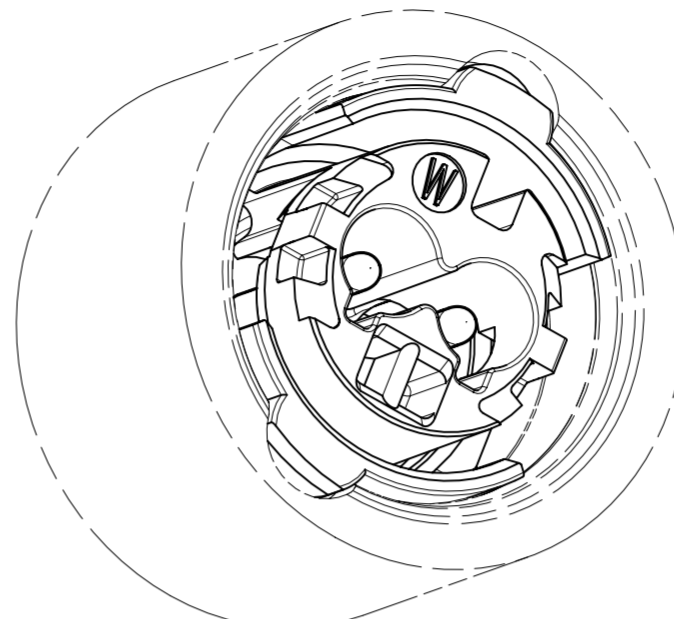
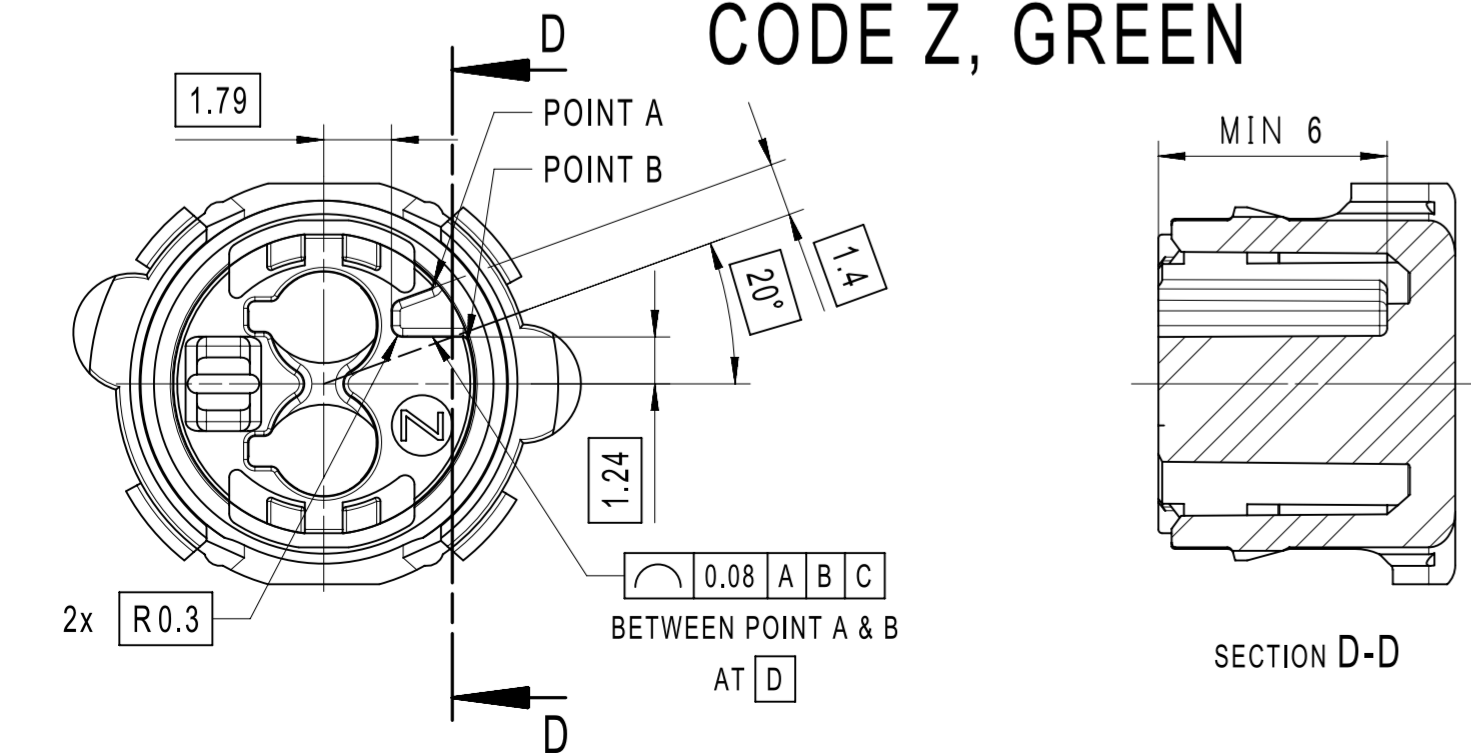
CODE X, PURPLE



CODE Y, GREY



CODE Z, GREEN



NOTICE

THIS DRAWING, OR PORTIONS OF IT, ARE CONTROLLED BY THE ELECTRICAL WIRING COMPONENTS APPLICATION PARTNERSHIP (EWCAP), A SUBGROUP OF THE UNITED STATES COUNSEL FOR AUTOMOTIVE RESEARCH LLC (USCAR LLC).
 USCAR IS A LLC CONSISTING OF MEMBERS FROM CHRYSLER CORPORATION, FORD MOTOR COMPANY, AND GM COMPANY.
 ANY CHANGE TO A EWCAP CONTROLLED PORTION OF THIS DRAWING, INCLUDING A "REVISION RECORD," MUST BE APPROVED, IN WRITING, BY THE RESPONSIBLE EWCAP REPRESENTATIVE FROM EACH USCAR MEMBER COMPANY. EACH EWCAP REPRESENTATIVE AUTHORIZED TO SIGN FOR HIS OR HER MEMBER COMPANY IS RESPONSIBLE FOR OBTAINING ALL NECESSARY APPROVALS WITHIN THAT COMPANY PRIOR TO SIGNING FOR THE APPROVAL OF THE CHANGE.
 EWCAP EXPRESSLY PROHIBITS ANY PARTY FROM CHANGING EITHER ANY EWCAP CONTROLLED PORTION OF THIS DRAWING OR ANY ASSOCIATED TOOLING BEFORE RECEIVING APPROVAL, SIGNED BY THE AUTHORIZED REPRESENTATIVES, OF EACH USCAR MEMBER COMPANIES. REFERENCE TO THE SIGNED CHANGE NOTICE MUST BE ENTERED IN THE DRAWING CONTROL COLUMN.

NOTES: UNLESS OTHERWISE SPECIFIED

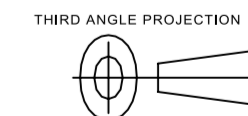
- ALL DIMENSIONS SHOWN IN MILLIMETERS.
- DIMENSIONING AND TOLERANCING ACCORDING TO ASME 14.5M-1994
- STANDARD COLORS FOR POLARIZATION (SEE CHART BELOW IN THE MIDDLE OF THE DRAWING SHEET)
- REFER TO "SAE/USCAR 12 CONNECTOR DESIGN CRITERIA" FOR ADDITIONAL REQUIREMENTS.
- EXCEPT WHERE NOTED, DRAFT ON OUTSIDE SURFACES IS PERMISSIBLE WITHIN TOLERANCE.
- SYMBOL INDICATES DRAFT DIRECTION.
- FOR TERMINAL MATERIAL, DIMENSIONAL, AND OTHER REQUIREMENTS SEE EWCAP 001.
- TO CLAIM USCAR COMPLIANCE, PARTS DESIGNED AND PRODUCED TO THIS FOOTPRINT DRAWING MUST BE TESTED TO AND MEET THE REQUIREMENTS OF SAE/USCAR 2.
- REVERSE DRAFT PERMISSIBLE IN LATCH DETAILS.
- SYMBOL DENOTES RECOMMENDED DIMENSIONS THAT MAY BE USED TO MONITOR PART QUALITY.
- FORCES: MAX.PERMITTED MATING FORCE OF CODING RING IN IGNITOR: 80 N
RETENTION FORCE OF THE CODING RING WITH MATED CONNECTOR FROM THE IGNITOR: MIN. 135 N
- PIN ASSIGNMENT UNSPECIFIC
- MIN. 20 OPERATION CYCLES
- MINIMUM CONTACT SAFETY: 1 MM
- GEOMETRICAL TOLERANCES ACCORDING TO ASME 14.5M-1994
- MATERIAL: CODING RING MATCHABLE MATERIAL MIN. E = 4.5 GPA
- THE MALE CONTACTS SHALL BE MANUFACTURED OF SOLID MATERIAL (NOT FOLDED OR HOLLOW)
18. RELIEF ALLOWABLE IN INDICATED AREA FOR MANUFACTURING PURPOSES

999-U-002-1-A04	W	PINK
999-U-002-1-B04	X	PURPLE
999-U-002-1-C04	Y	GREY
999-U-002-1-D04	Z	GREEN
EWCAP REF #	CODING	COLOR



CHANGE SERIAL NUMBER	LET	REVISION RECORD	DATE	DWN	CHK
135	D1	DIAMETER SYMBOL ADDED FOR POSITIONAL TOLERANCE	11-23-16	LP	HOL
104	C1	NOTE AND VIEW ADDED ON SHEET 2 CONCERNING ABSENCE OF PLASTIC	10-02-14	REG	MAJ
	C2	TOLERANCE CHANGED ON SHEET 2 FROM 1 +0.1/-0.05 TO MIN 1			
101	B1	NOTE 18 ADDED	06-23-14	LEH	REG
	B2	DIM 6.2 MOVED FROM PLAN VIEW & MEAS. POINTS ADDED			
	B3	REV.B OF 999-U-002-1-Z02 ADDED			
	B4	VIEW X ADDED			
	B5	VIEW Z DIM R1 CHANGED TO R0.1			
	B6	DIM 2.5 AND 2.4 ADDED			
	A	INITIAL RELEASE	04-10-14	LEH	REG

TOLERANCES (UNLESS OTHERWISE SPECIFIED)
 DIMENSIONS ARE IN MILLIMETERS
 ANGLES ± 0° 30'



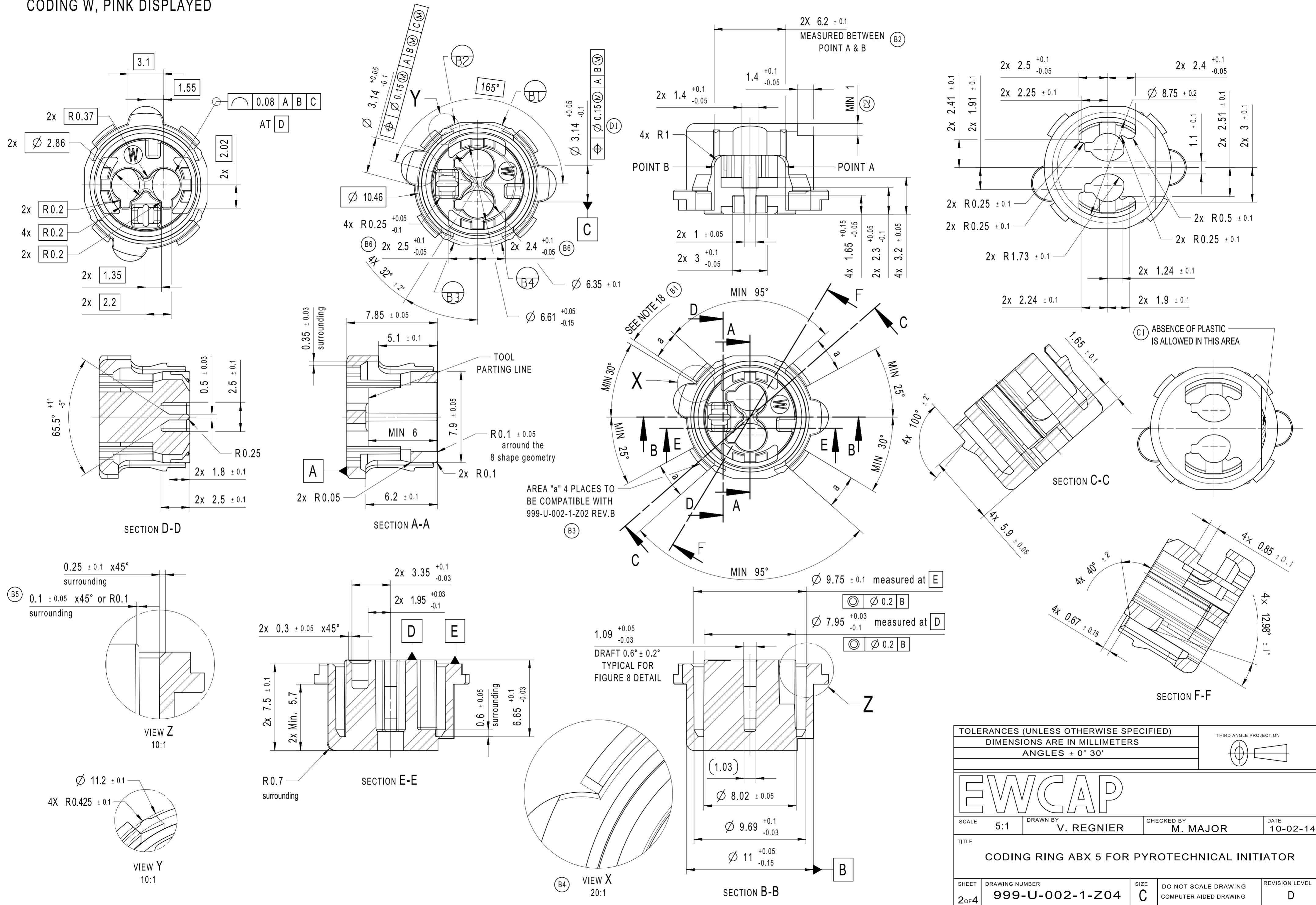
EWCAP

SCALE 5:1 DRAWN BY V. REGNIER CHECKED BY M. MAJOR DATE 10-02-14

TITLE
CODING RING ABX 5 FOR PYROTECHNICAL INITIATOR

SHEET 1 of 4 DRAWING NUMBER 999-U-002-1-Z04 SIZE C DO NOT SCALE DRAWING COMPUTER AIDED DRAWING REVISION LEVEL D

CODING W, PINK DISPLAYED

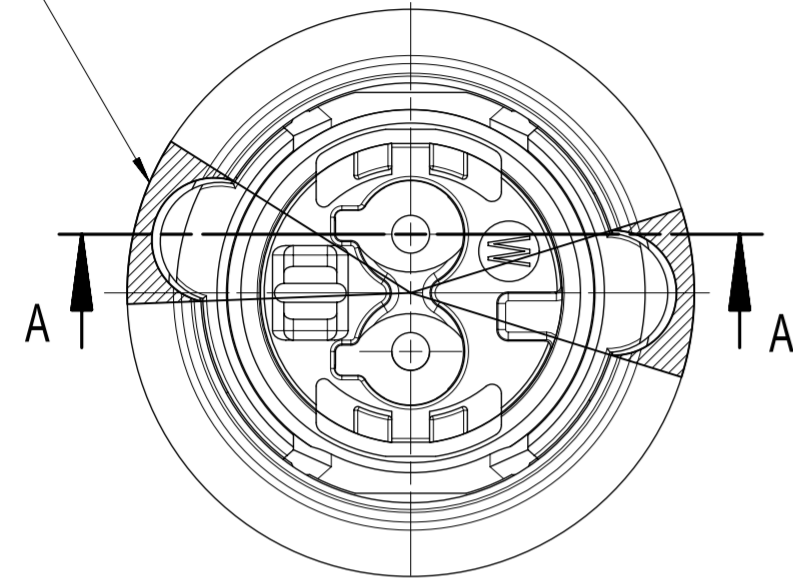


TOLERANCES (UNLESS OTHERWISE SPECIFIED)		THIRD ANGLE PROJECTION	
DIMENSIONS ARE IN MILLIMETERS			
ANGLES ± 0° 30'			
EWCAP			
SCALE 5:1	DRAWN BY V. REGNIER	CHECKED BY M. MAJOR	DATE 10-02-14
TITLE CODING RING ABX 5 FOR PYROTECHNICAL INITIATOR			
SHEET 2 of 4	DRAWING NUMBER 999-U-002-1-Z04	SIZE C	DO NOT SCALE DRAWING COMPUTER AIDED DRAWING
			REVISION LEVEL D

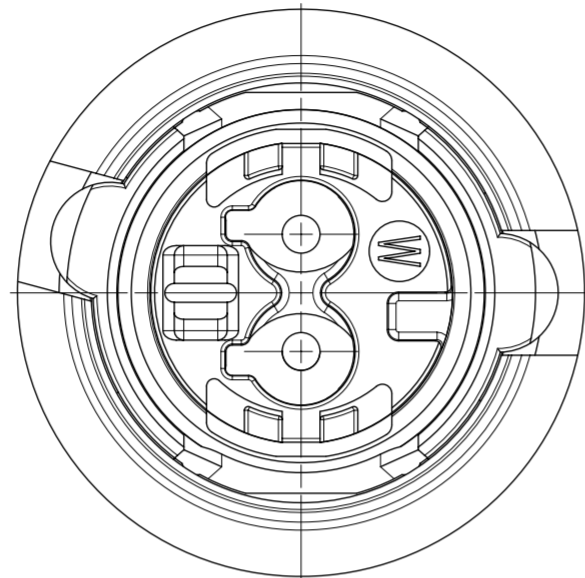
GENERATOR

CODING W, PINK DISPLAYED

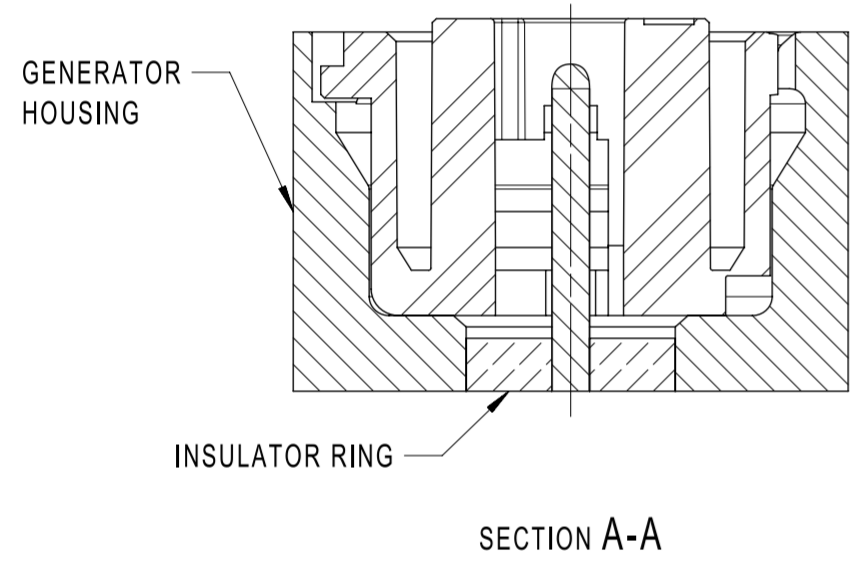
PERMISSIBLE AREA FOR TORQUE FEATURE



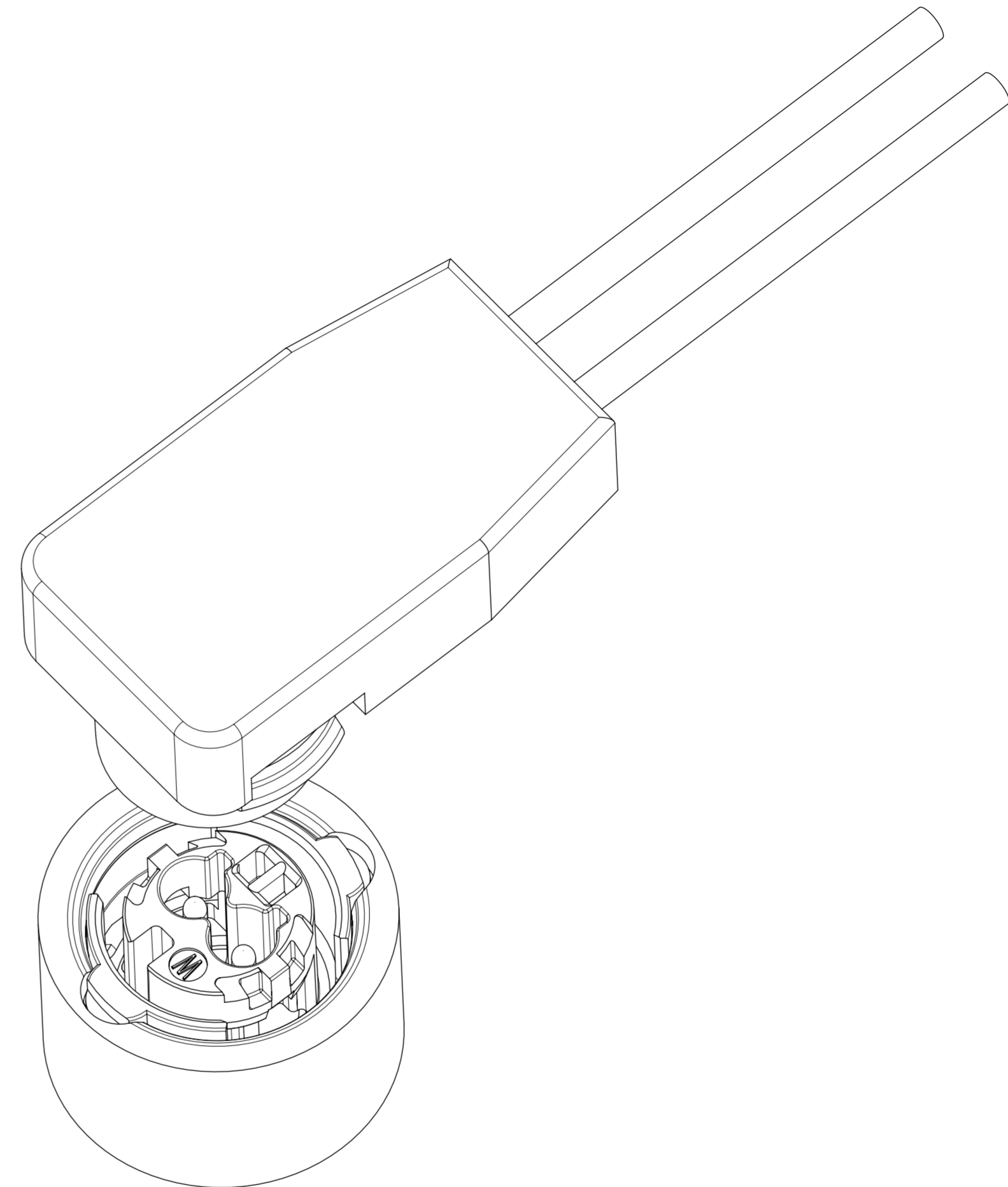
OPTIONAL CONFIGURATION



SQUIB WITH PINS

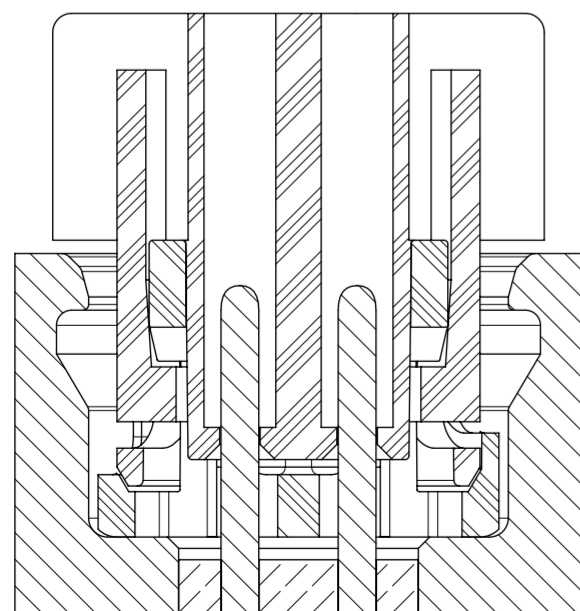


MATING ORIENTATION VIEW

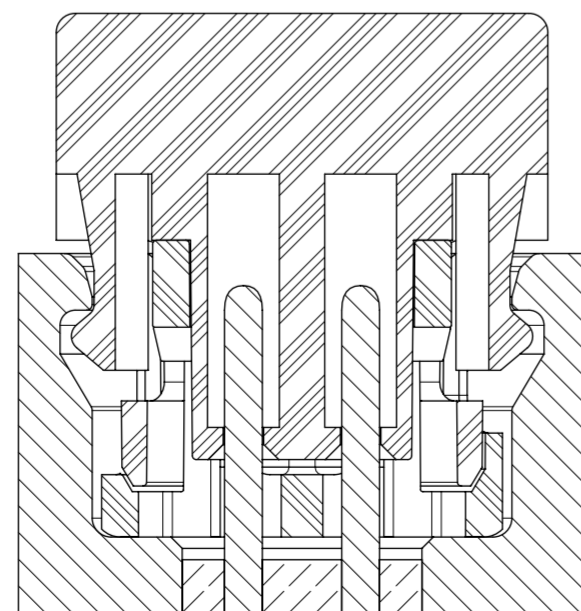


GENERATOR WITH CODING W, PINK DISPLAYED

CONNECTOR LOCKING ALTERNATIVES



CONNECTOR LOCKING ON CODING RING



CONNECTOR LOCKING ON INITIATOR

TOLERANCES (UNLESS OTHERWISE SPECIFIED)		THIRD ANGLE PROJECTION	
DIMENSIONS ARE IN MILLIMETERS			
ANGLES ± 0° 30'			
EWCAP			
SCALE	5:1	DRAWN BY	V. REGNIER
		CHECKED BY	M. MAJOR
		DATE	10-02-14
TITLE			
CODING RING ABX 5 FOR PYROTECHNICAL INITIATORS			
SHEET	DRAWING NUMBER	SIZE	DO NOT SCALE DRAWING
3 of 4	999-U-002-1-Z04	C	COMPUTER AIDED DRAWING
			REVISION LEVEL
			D

NOTICE

EWCAP HAS SELECTED COMMON DIMENSIONS FOR THE CODING RING DEPICTED AND DESCRIBED HEREIN (LISTED BELOW). FURTHER, EWCAP HAS SELECTED FOR PUBLICATION THIS DRAWING PREPARED BY DELPHI AS REPRESENTATIVE OF A CODING RING HAVING THESE DIMENSIONS. IN EXCHANGE FOR THE CONSIDERATION OF THE SELECTION OF THIS DRAWING FOR PUBLICATION (INCLUDING POSTING ON EWCAP'S WEB SITE) AND OTHER GOOD AND VALUABLE CONSIDERATION FLOWING FROM THIS SELECTION, DELPHI HEREBY AGREES ON BEHALF OF ITSELF AND ITS SUCCESSORS AND ASSIGNS, WITH RESPECT TO ANY COPYRIGHTS IT MAY HAVE IN THIS DRAWING AS WELL AS ANY PATENT RIGHTS IT MAY HAVE IN THE CODING RING ILLUSTRATED IN THIS DRAWING, NOT TO ENFORCE SUCH COPYRIGHTS AND PATENTS AGAINST ANY PERSON OR ENTITY ON ACCOUNT OF THEIR ACTIVITIES TO MAKE, HAVE MADE, USE AND SELL THE CODING RING ILLUSTRATED IN THIS DRAWING FOR VEHICULAR APPLICATIONS. THIS ALSO APPLIES TO THE USE OF ANY FEATURE OR SURFACE OF THIS CODING RING WHICH MAY BE NEEDED FOR LOCKING OR CLAMPING THE CONNECTOR IN ORDER TO PROVIDE FUNCTIONALITY OF THE CONNECTION SYSTEM. THE TERM "CODING RING" AS USED IN THIS PARAGRAPH IS LIMITED SOLELY TO THE STRUCTURE SPECIFICALLY ILLUSTRATED IN THIS DRAWING.

SIGNED *Frank Odoerfer* FOR DELPHI CONNECTION SYSTEMS. DATE: 10-02-14
 NAME AND TITLE OF SIGNER:
 FRANK ODOERFER, PRODUCT DEVELOPMENT MANAGER SRS GLOBAL

NO WARRANTIES OR INDEMNITIES OF ANY KIND ARE MADE OR IMPLIED BY DELPHI OR EWCAP. IN PARTICULAR THERE ARE NO EXPRESS OR IMPLIED WARRANTIES OF FITNESS FOR A PARTICULAR PURPOSE, MERCHANTABILITY, NON-INFRINGEMENT OR ANY OTHER WARRANTY OF ANY KIND. IN ADDITION, THERE ARE NO EXPRESS OR IMPLIED WARRANTIES OR INDEMNITIES OF ANY KIND RELATING TO THIRD PARTY CLAIMS ARISING UNDER THE INTELLECTUAL PROPERTY LAWS OF ANY COUNTRY. ANYONE USING THE INFORMATION IN THIS DRAWING DOES SO AT THEIR OWN RISK.

3D DESIGN MODELS (TYPICALLY IN ISO 10303 "STEP" FORMAT) ASSOCIATED WITH EWCAP DRAWINGS ARE PROVIDED FOR INFORMATION ONLY. USER ASSUMES ALL RISKS FROM USE OF THESE MODELS. BE ADVISED THAT THE 2D DRAWING IS THE AUTHORITATIVE AND CONTROLLING DESIGN DOCUMENT. STEP MODELS DO NOT PROVIDE ACCURATE TOLERANCE INFORMATION AND THE MODEL MAY NOT BE CONSTRUCTED TO THE NOMINAL NOR THE MANUFACTURING-OPTIMIZED VERSION OF THE DESIGN. NEITHER EWCAP OR THE DRAWING AUTHOR PROVIDE ANY WARRANTIES (EITHER EXPRESS OR IMPLIED) OR ASSUME ANY LIABILITY FROM THE USE OF THE STEP MODEL BY ANY USER FOR ANY PURPOSE.

TOLERANCES (UNLESS OTHERWISE SPECIFIED)		THIRD ANGLE PROJECTION	
DIMENSIONS ARE IN MILLIMETERS			
ANGLES ± 0° 30'			
EWCAP			
SCALE	5:1	DRAWN BY	V. REGNIER
		CHECKED BY	M. MAJOR
		DATE	10-02-14
TITLE			
CODING RING ABX 5 FOR PYROTECHNICAL INITIATORS			
SHEET	DRAWING NUMBER	SIZE	DO NOT SCALE DRAWING
4 of 4	999-U-002-1-Z04	C	COMPUTER AIDED DRAWING
			REVISION LEVEL
			D