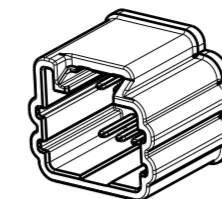


120-U-010-2-A03	120-U-010-2-B03
KEY A BLACK SCALE 2:1	KEY B LT.GRAY SCALE 2:1
120-U-010-2-C03	120-U-010-2-D03
KEY C DK.GRAY SCALE 2:1	KEY D BLACK SCALE 2:1

NOTES: UNLESS OTHERWISE SPECIFIED

1. DIMENSIONING AND TOLERANCING PER ASME Y14.5M.
2. 0.25 MAX RADII ON ALL CORNERS SHOWN SHARP.
3. ALL UNSPECIFIED RADII 0.25 MAX.
4. STANDARD COLORS FOR POLARIZATION (SEE CHART IN LEFT LOWER CORNER OF THE DRAWING SHEET)
5. REFER TO "SAE/USCAR 12 CONNECTOR DESIGN CRITERIA" FOR ADDITIONAL REQUIREMENTS.
6. EXCEPT WHERE NOTED, DRAFT ON OUTSIDE SURFACES IS PERMISSIBLE WITHIN TOLERANCE.
7. ▽ SYMBOL INDICATES DRAFT DIRECTION.
8. FOR TERMINAL MATERIAL, DIMENSIONAL, AND OTHER REQUIREMENTS SEE EWCAP-001 TERMINAL 120-T002.
9. TO CLAIM USCAR COMPLIANCE, PARTS PRODUCED TO THIS FOOTPRINT DRAWING MUST BE TESTED TO AND MEET THE REQUIREMENTS OF SAE/USCAR 2.
10. ☒ SYMBOL DENOTES RECOMMENDED DIMENSIONS THAT MAY BE USED TO MONITOR PART QUALITY.
11. WHEN USING SILVER PLATED TERMINALS, THE SILVER PLATING MUST STOP A MINIMUM OF 1mm FROM HEADER PLASTIC.
(OTHER NOTES DESCRIBING ADDITIONAL REQUIREMENTS MUST BE SHOWN IN THIS NOTE FIELD.)

**SUMITOMO ELECTRIC
WIRING SYSTEMS, INC.**



ISOMETRIC VIEW
(1:1)

NOTICE

THIS DRAWING, OR PORTIONS OF IT, ARE CONTROLLED BY THE ELECTRICAL WIRING COMPONENTS APPLICATION PARTNERSHIP (EWCAP), A SUBGROUP OF THE UNITED STATES COUNSEL FOR AUTOMOTIVE RESEARCH LLC (USCAR LLC).

USCAR IS A LLC CONSISTING OF MEMBERS FROM FCA US LLC, FORD MOTOR COMPANY, AND GM COMPANY.

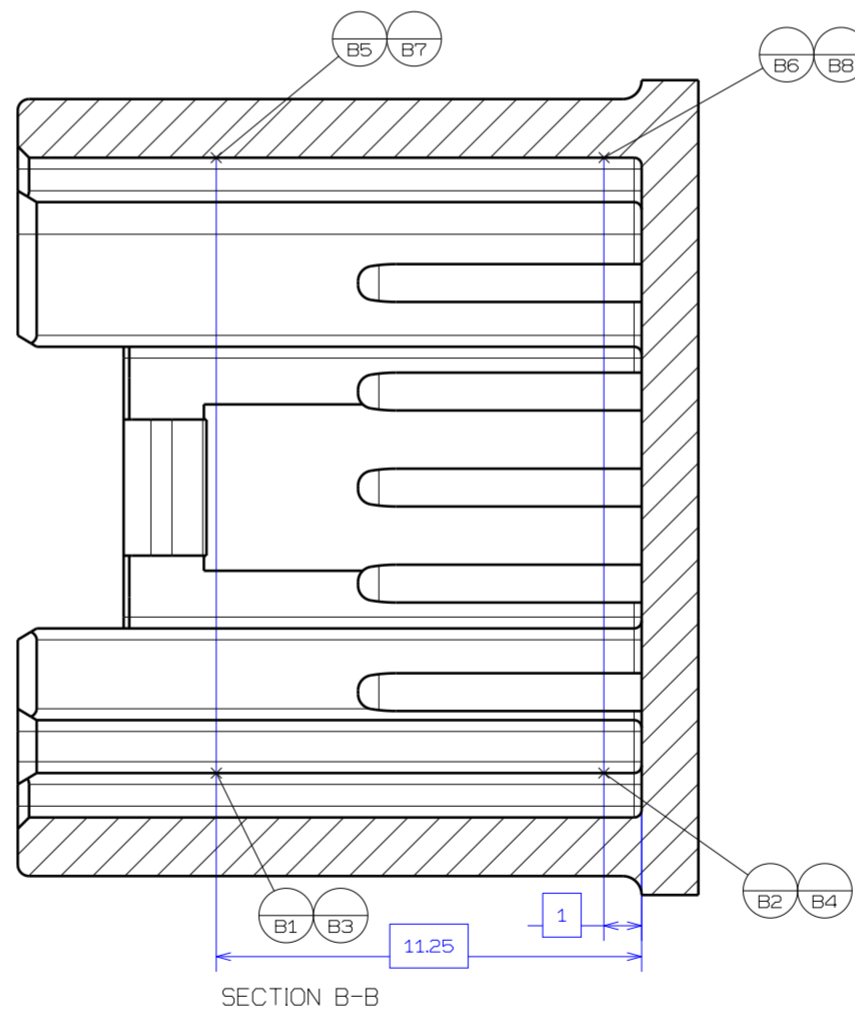
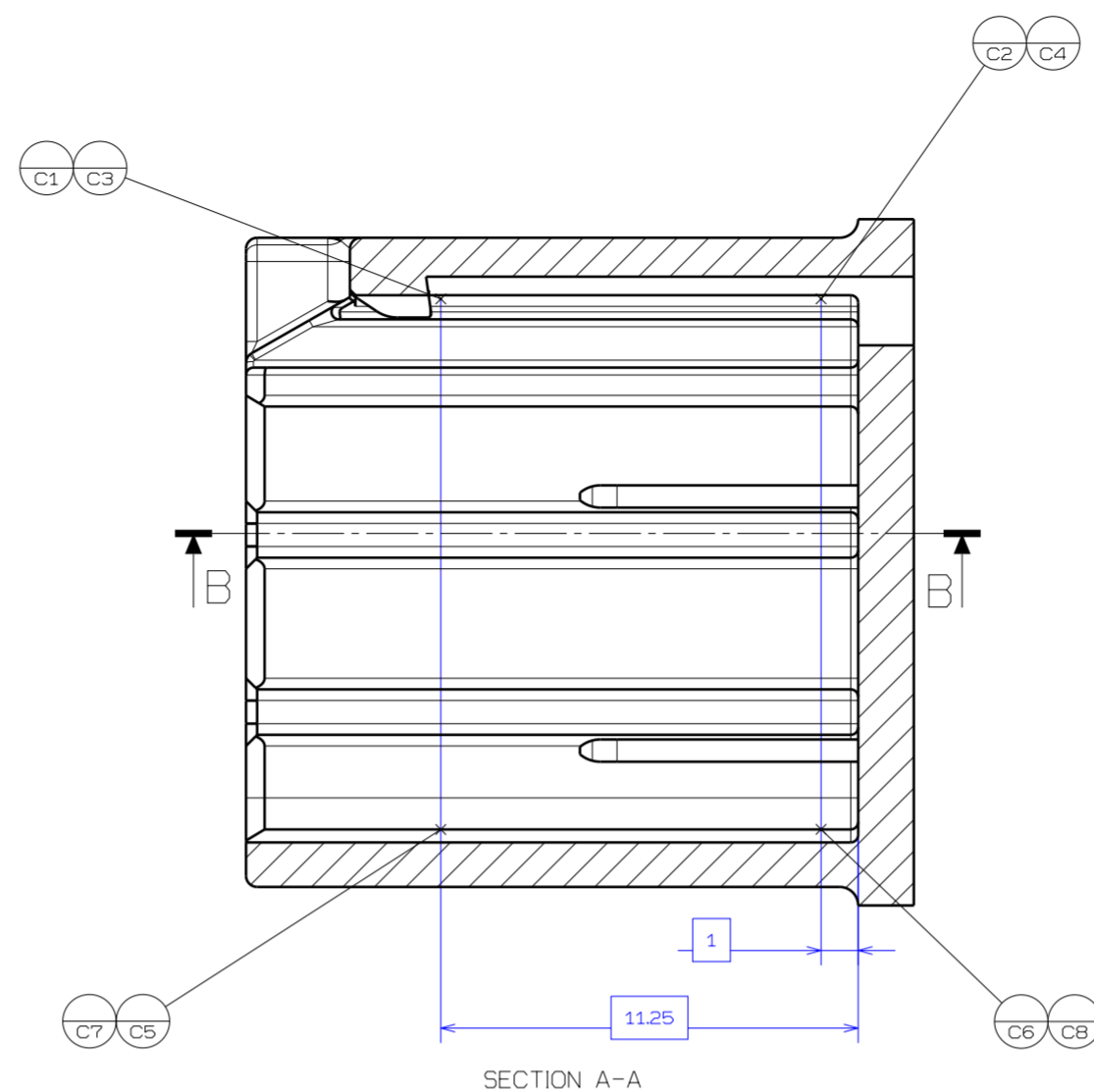
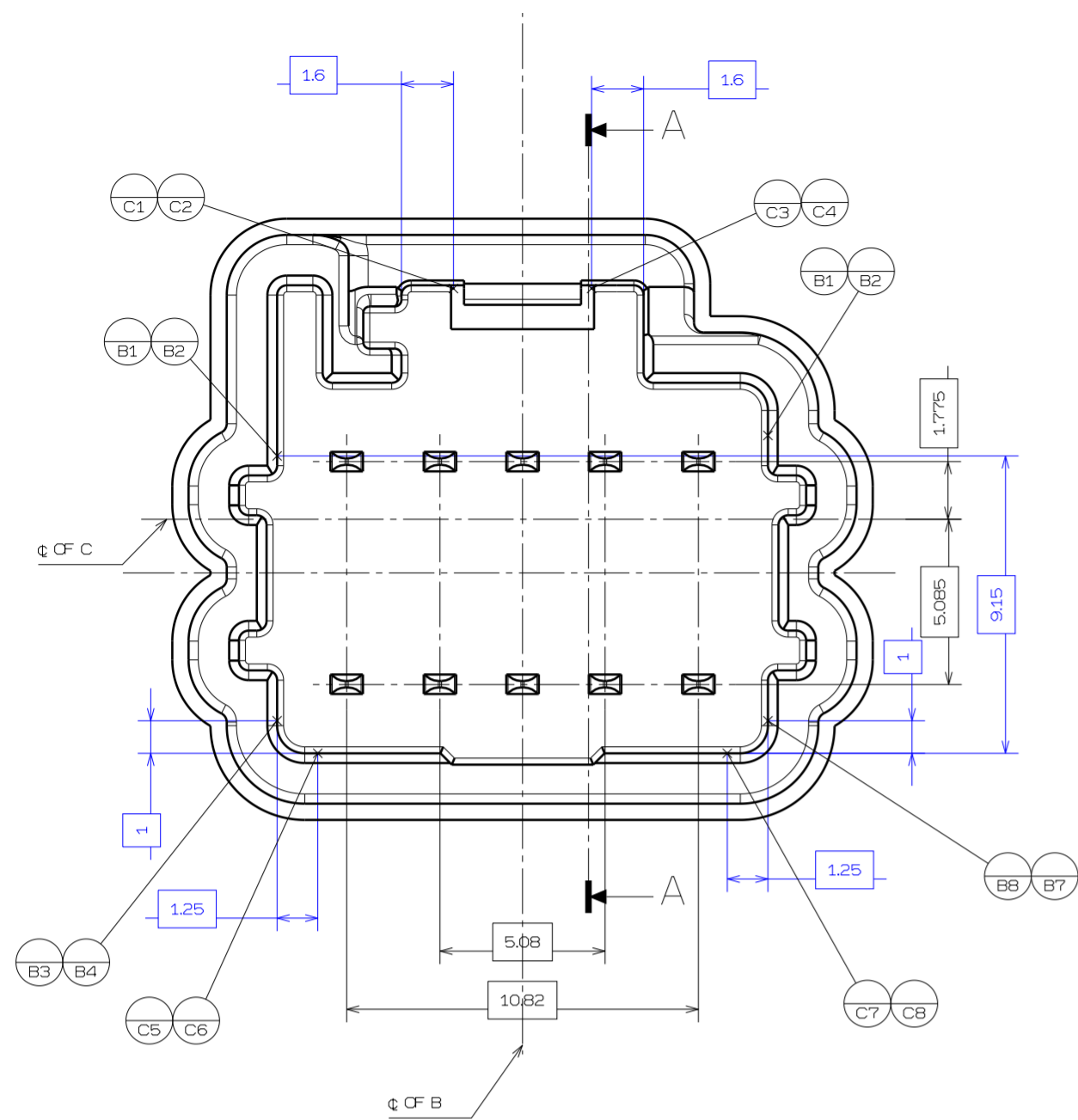
ANY CHANGE TO A EWCAP CONTROLLED PORTION OF THIS DRAWING, INCLUDING A "REVISION RECORD," MUST BE APPROVED, IN WRITING, BY THE RESPONSIBLE EWCAP REPRESENTATIVE FROM EACH USCAR MEMBER COMPANY. EACH EWCAP REPRESENTATIVE AUTHORIZED TO SIGN FOR HIS OR HER MEMBER COMPANY IS RESPONSIBLE FOR OBTAINING ALL NECESSARY APPROVALS WITHIN THAT COMPANY PRIOR TO SIGNING FOR THE APPROVAL OF THE CHANGE.

EWCAP EXPRESSLY PROHIBITS ANY PARTY FROM CHANGING EITHER ANY EWCAP CONTROLLED PORTION OF THIS DRAWING OR ANY ASSOCIATED TOOLING BEFORE RECEIVING APPROVAL, SIGNED BY THE AUTHORIZED REPRESENTATIVES, OF EACH USCAR MEMBER COMPANIES. REFERENCE TO THE SIGNED CHANGE NOTICE MUST BE ENTERED IN THE DRAWING CONTROL COLUMN.

CHANGE SERIAL NUMBER	LET	REVISION RECORD	DATE	DWN	CHK
	A	RELEASED	08-05-22	EB	DP

TOLERANCES (UNLESS OTHERWISE SPECIFIED)		THIRD ANGLE PROJECTION
DIMENSIONS ARE IN MILLIMETERS		
ANGLES ± 0° 30'		

USCAR-EWCAP			
SCALE $2:1$	DRAWN BY E.BUTLER	CHECKED BY DON PRICE	DATE 08-05-22
TITLE			
5 X 2 UNSEALED INTERFACE 1.20mm CONNECTORS			
SHEET 1 OF X	DRAWING NUMBER 120-U-010-2-Z03	SIZE A2	DO NOT SCALE DRAWING COMPUTER AIDED DRAWING
			REVISION LEVEL A



NOTES: UNLESS OTHERWISE SPECIFIED

- 1. DIMENSIONING AND TOLERANCING PER ASME Y14.5M.
 - 2. 0.25 MAX RADII ON ALL CORNERS SHOWN SHARP.
 - 3. ALL UNSPECIFIED RADII 0.25 MAX.
 - 4. STANDARD COLORS FOR POLARIZATION (SEE CHART IN LEFT LOWER CORNER OF THE DRAWING SHEET)
 - 5. REFER TO "SAE/USCAR 12 CONNECTOR DESIGN CRITERIA" FOR ADDITIONAL REQUIREMENTS.
 - 6. EXCEPT WHERE NOTED, DRAFT ON OUTSIDE SURFACES IS PERMISSIBLE WITHIN TOLERANCE.
 - 7. SYMBOL INDICATES DRAFT DIRECTION.
 - 8. FOR TERMINAL MATERIAL, DIMENSIONAL, AND OTHER REQUIREMENTS SEE EWCAP-001 TERMINAL 120-T002.
 - 9. TO CLAIM USCAR COMPLIANCE, PARTS PRODUCED TO THIS FOOTPRINT DRAWING MUST BE TESTED TO AND MEET THE REQUIREMENTS OF SAE/USCAR 2.
 - 10. SYMBOL DENOTES RECOMMENDED DIMENSIONS THAT MAY BE USED TO MONITOR PART QUALITY.
 - 11. WHEN USING SILVER PLATED TERMINALS, THE SILVER PLATING MUST STOP A MINIMUM OF 1mm FROM HEADER PLASTIC.
- (OTHER NOTES DESCRIBING ADDITIONAL REQUIREMENTS MUST BE SHOWN IN THIS NOTE FIELD.)

SUMITOMO ELECTRIC WIRING SYSTEMS, INC.

NOTICE

THIS DRAWING, OR PORTIONS OF IT, ARE CONTROLLED BY THE ELECTRICAL WIRING COMPONENTS APPLICATION PARTNERSHIP (EWCAP), A SUBGROUP OF THE UNITED STATES COUNSEL FOR AUTOMOTIVE RESEARCH LLC (USCAR LLC).

USCAR IS A LLC CONSISTING OF MEMBERS FROM FCA US LLC, FORD MOTOR COMPANY, AND GM COMPANY.

ANY CHANGE TO A EWCAP CONTROLLED PORTION OF THIS DRAWING, INCLUDING A "REVISION RECORD," MUST BE APPROVED, IN WRITING, BY THE RESPONSIBLE EWCAP REPRESENTATIVE FROM EACH USCAR MEMBER COMPANY. EACH EWCAP REPRESENTATIVE AUTHORIZED TO SIGN FOR HIS OR HER MEMBER COMPANY IS RESPONSIBLE FOR OBTAINING ALL NECESSARY APPROVALS WITHIN THAT COMPANY PRIOR TO SIGNING FOR THE APPROVAL OF THE CHANGE.

EWCAP EXPRESSLY PROHIBITS ANY PARTY FROM CHANGING EITHER ANY EWCAP CONTROLLED PORTION OF THIS DRAWING OR ANY ASSOCIATED TOOLING BEFORE RECEIVING APPROVAL, SIGNED BY THE AUTHORIZED REPRESENTATIVES, OF EACH USCAR MEMBER COMPANIES. REFERENCE TO THE SIGNED CHANGE NOTICE MUST BE ENTERED IN THE DRAWING CONTROL COLUMN.

	A	RELEASED	08-05-22	EB	DP
CHANGE SERIAL NUMBER	LET	REVISION RECORD	DATE	DWN	CHK
TOLERANCES (UNLESS OTHERWISE SPECIFIED) DIMENSIONS ARE IN MILLIMETERS ANGLES ± 0° 30'			THIRD ANGLE PROJECTION 		
USCAR-EWCAP					
SCALE	5:1	DRAWN BY	E.BUTLER	CHECKED BY	DON PRICE
DATE		08-05-22			
5 X 2 UNSEALED INTERFACE 1.20mm CONNECTORS					
SHEET	DRAWING NUMBER	SIZE	DO NOT SCALE DRAWING	REVISION LEVEL	
2 OF 2	120-U-010-2-Z03	A2	COMPUTER AIDED DRAWING	A	