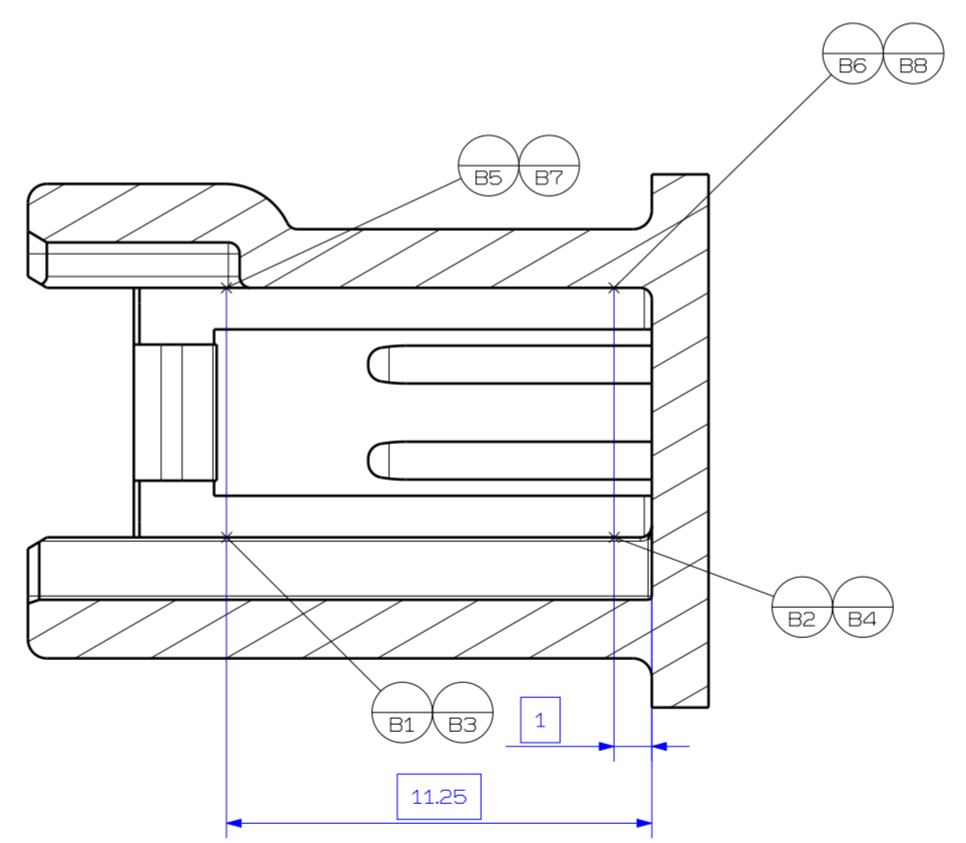


SECTION A-A



SECTION B-B

TOLERANCES (UNLESS OTHERWISE SPECIFIED)				THIRD ANGLE PROJECTION
DIMENSIONS ARE IN MILLIMETERS				
ANGLES ± 0° 30'				
USCAR-EWCAP				
SCALE	DRAWN BY	CHECKED BY	DATE	
5:1	JAROD FISCHER	DON PRICE	05-20-22	
TITLE 2 X 2 UNSEALED INTERFACE 1.20mm CONNECTORS				
SHEET	DRAWING NUMBER	SIZE	DO NOT SCALE DRAWING	REVISION LEVEL
2 OF 2	120-U-004-2-Z03	A2	COMPUTER AIDED DRAWING	A

**SUMITOMO ELECTRIC
WIRING SYSTEMS, INC.**