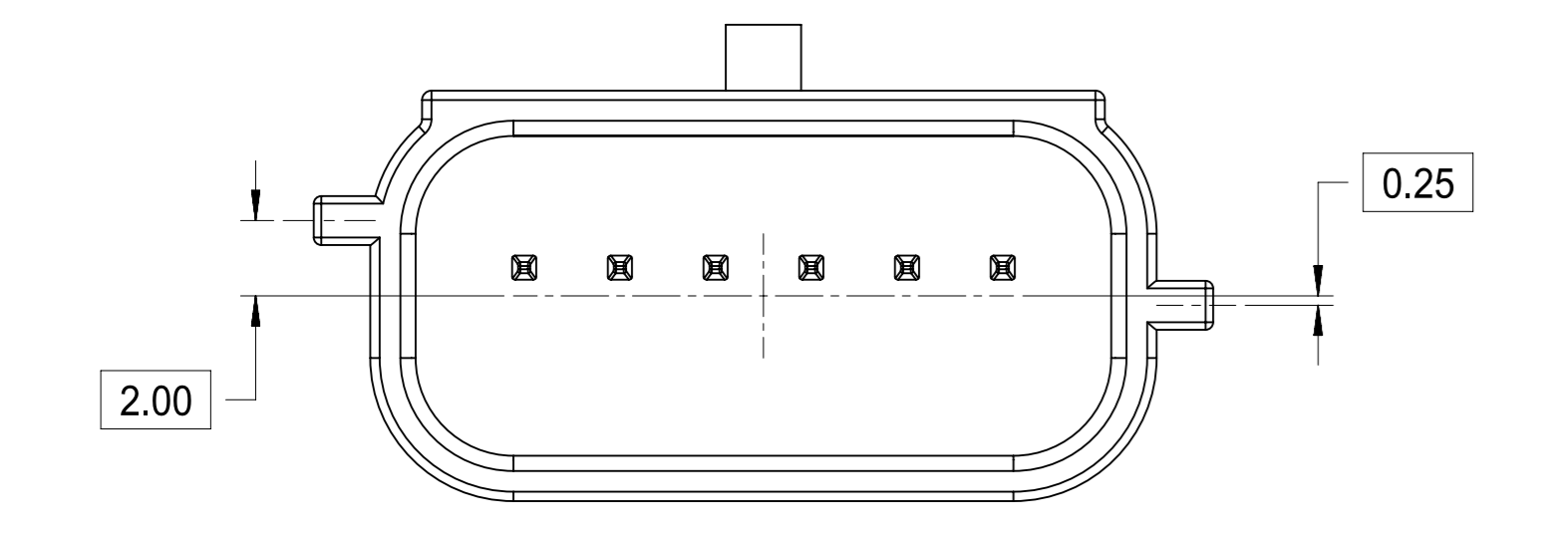
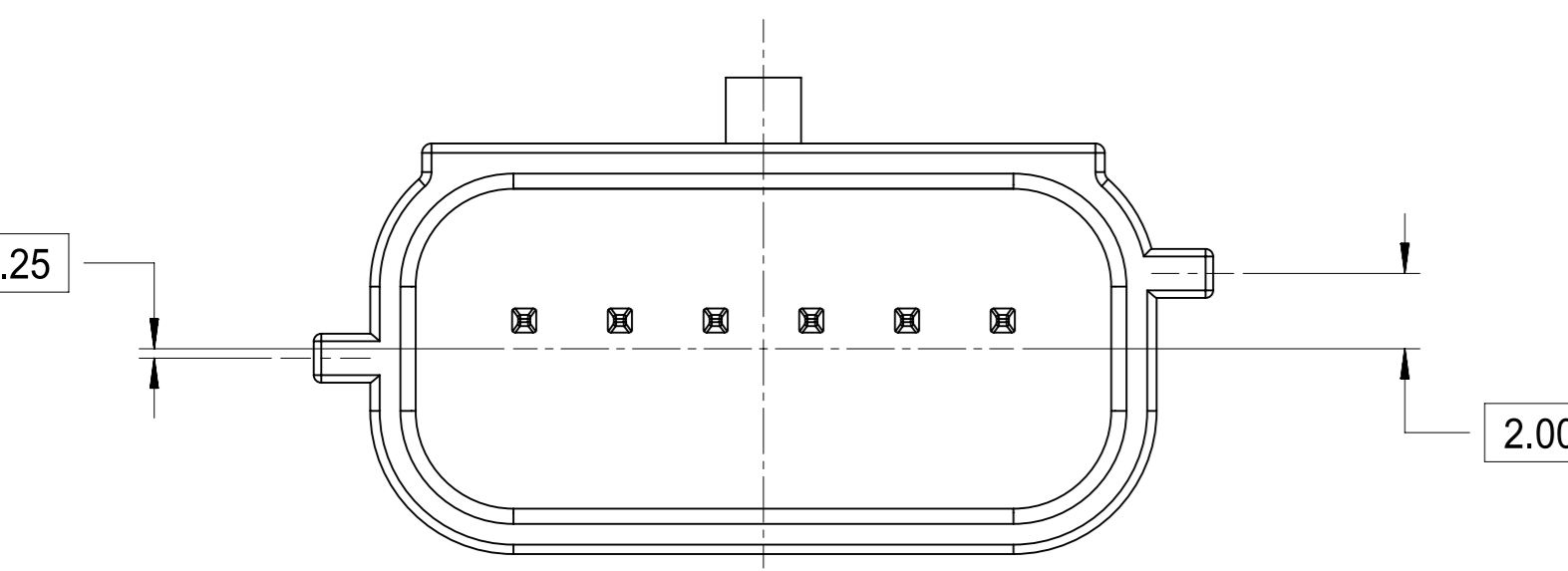


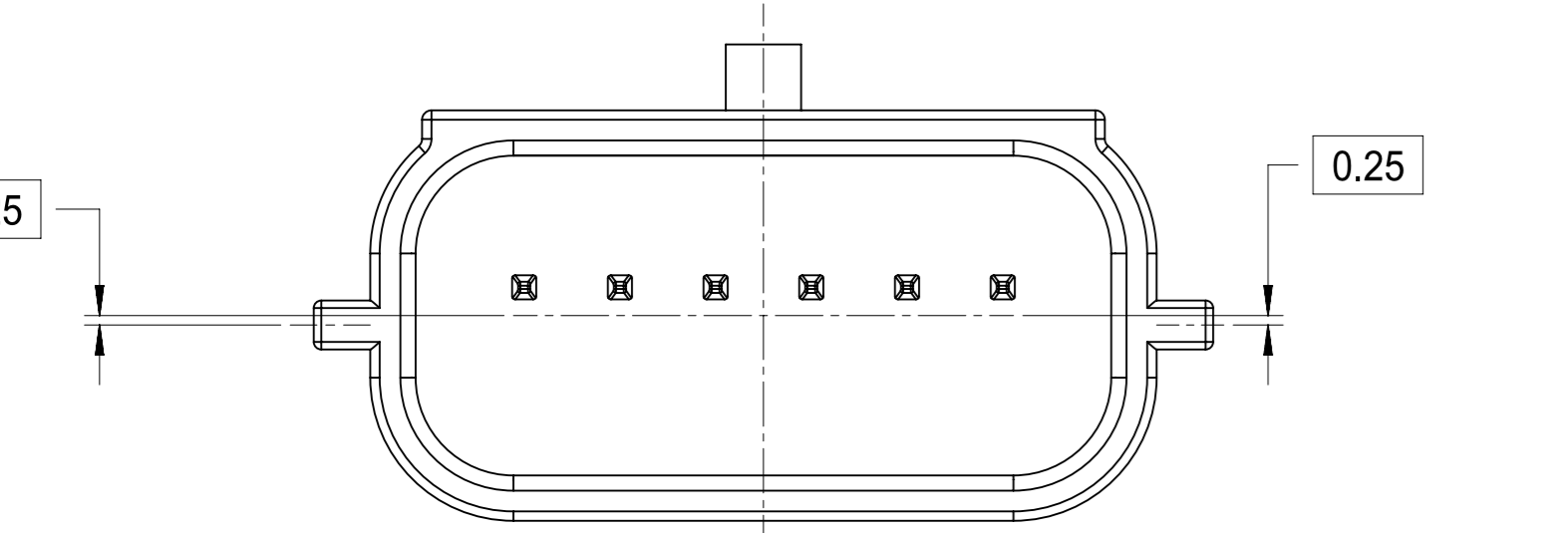
064-S-006-1-A02
(OPTION A)



064-S-006-1-B02
(OPTION B)

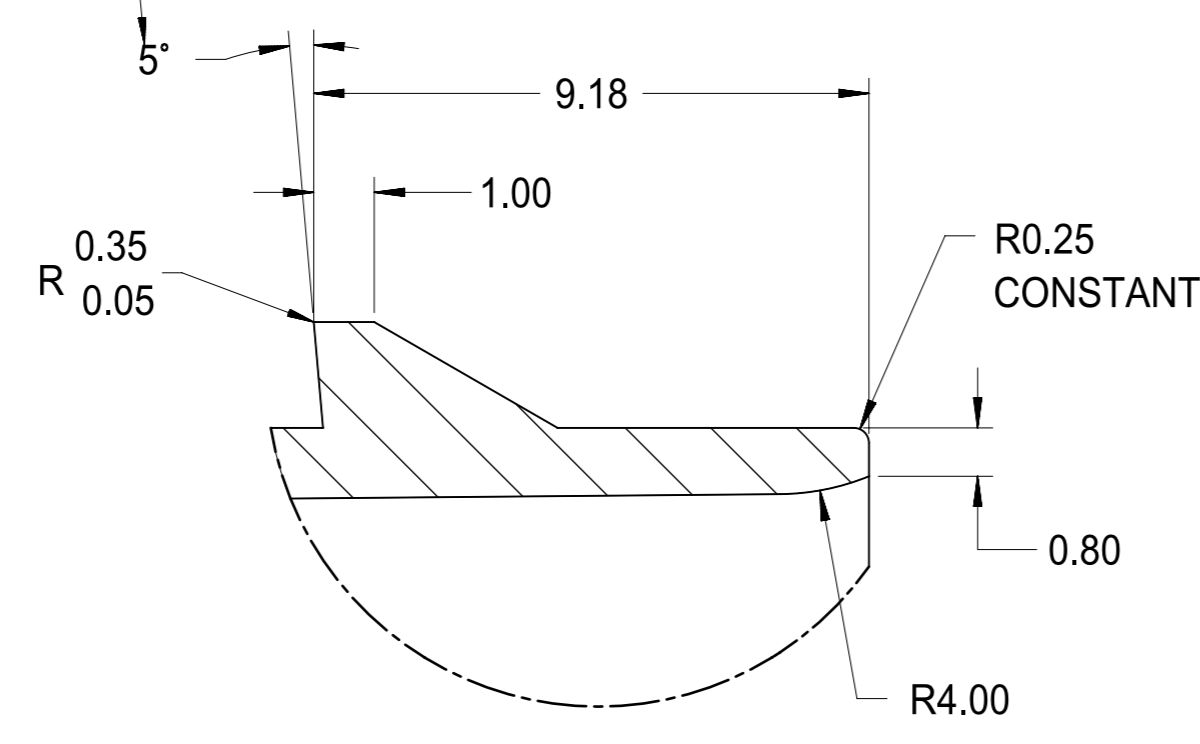


064-S-006-1-C02
(OPTION C)

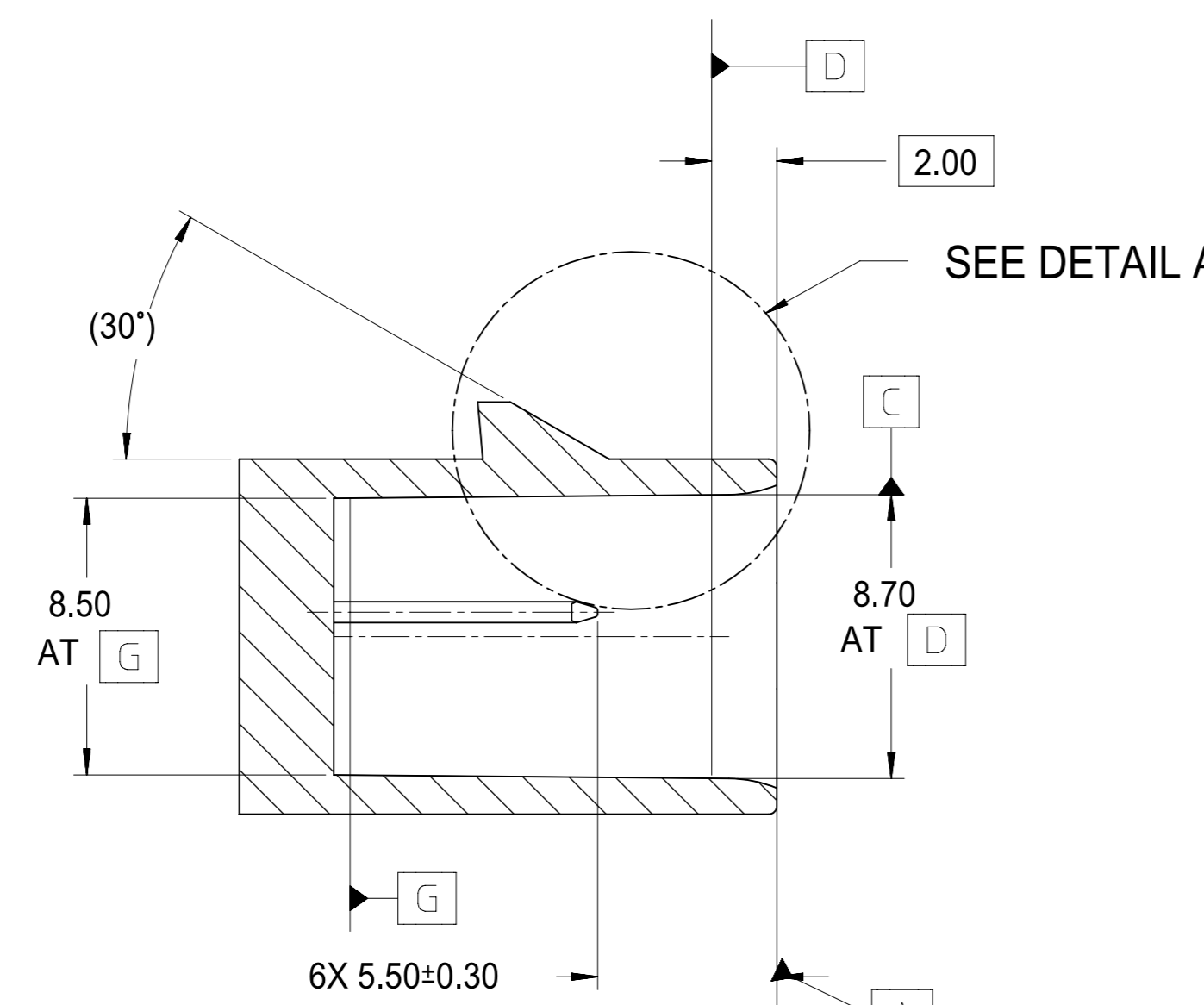


064-S-006-1-D02
(OPTION D)

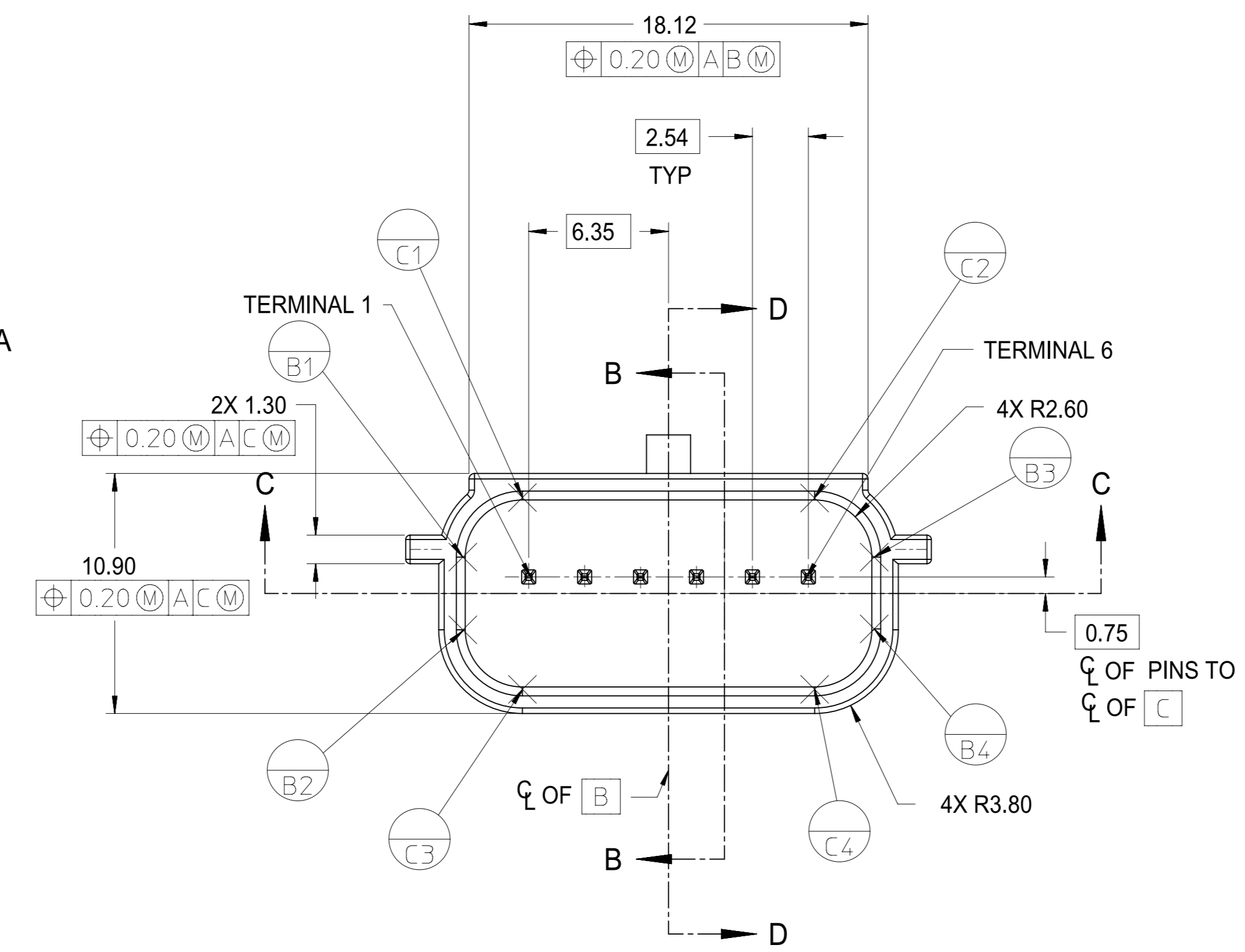
ELIMINATION OF BACK ANGLE
REQUIRES APPROVAL OF
RESPONSIBLE ENGINEER



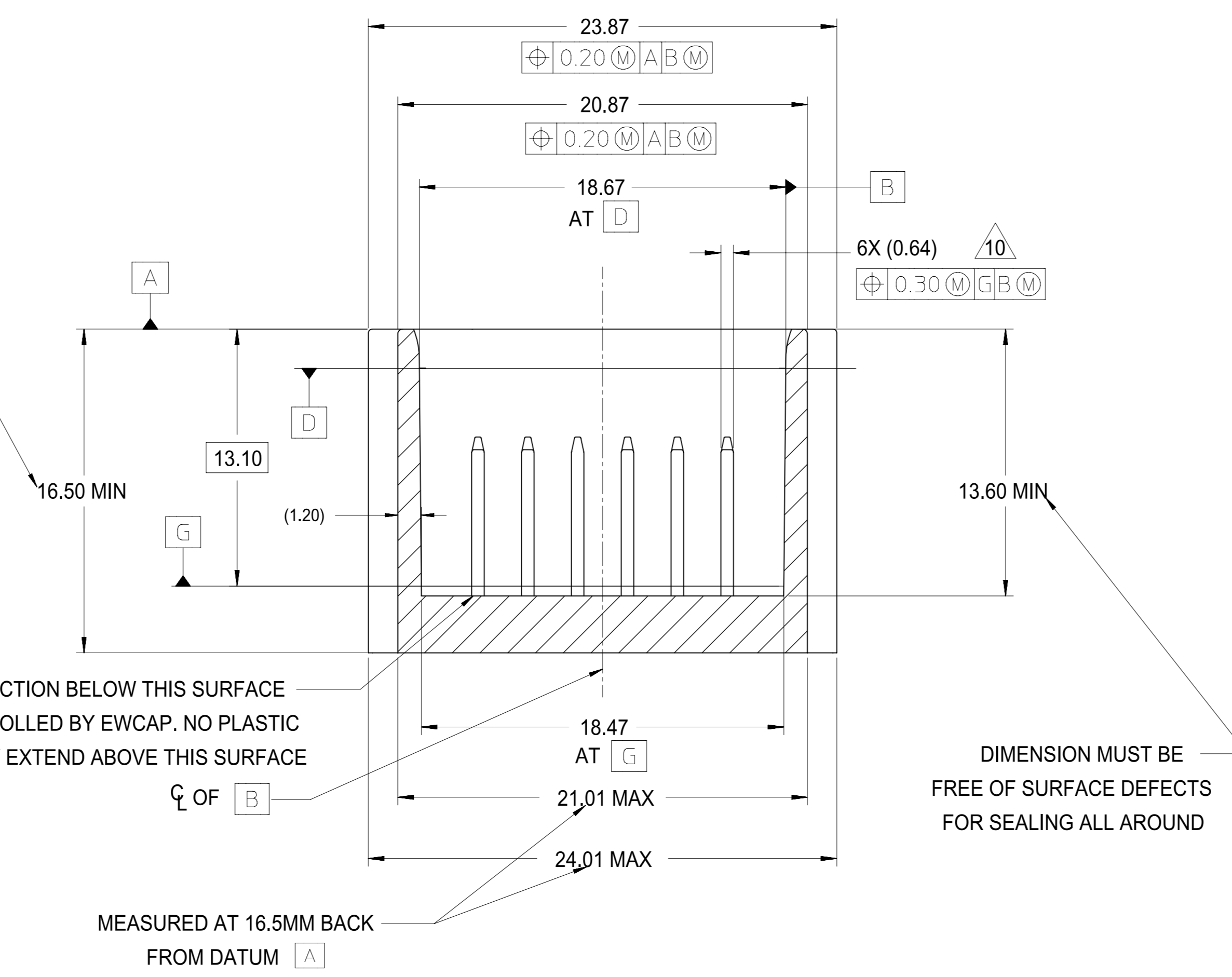
DETAIL A
SCALE 8:1



SECTION D-D



SECTION C-C



SECTION C-C

MEASURED AT 16.5MM BACK
FROM DATUM A

CONSTRUCTION BELOW THIS SURFACE
IS NOT CONTROLLED BY EWCAP. NO PLASTIC
FEATURES MAY EXTEND ABOVE THIS SURFACE

DIMENSION MUST BE
FREE OF SURFACE DEFECTS
FOR SEALING ALL AROUND

MINIMUM CLEARANCE REQUIRED ON
OUTSIDE SURFACE OF HEADER FOR
MATING CONNECTOR SHROUD

CL OF B

CL OF C

CL OF D

CL OF E

CL OF F

CL OF G

CL OF H

CL OF I

CL OF J

CL OF K

CL OF L

CL OF M

CL OF N

CL OF O

CL OF P

CL OF Q

CL OF R

CL OF S

CL OF T

CL OF U

CL OF V

CL OF W

CL OF X

CL OF Y

CL OF Z

CL OF B

CL OF C

PACKAGE FRAME

2.00
0.25 AT A/B

14.9 MIN

14.9 MIN

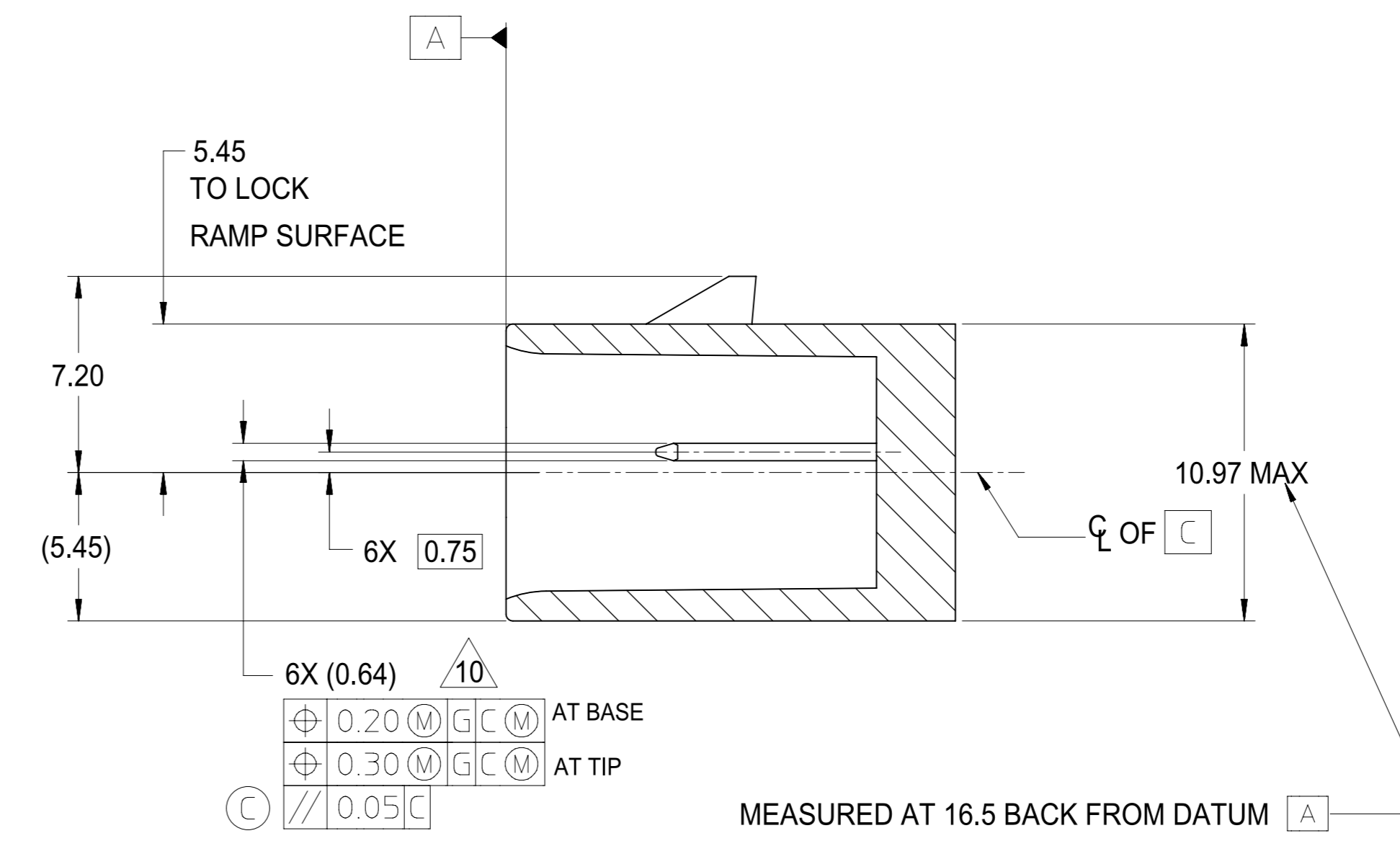
16.50 MIN

7.32 MIN

13.3 MIN

9.2 MIN

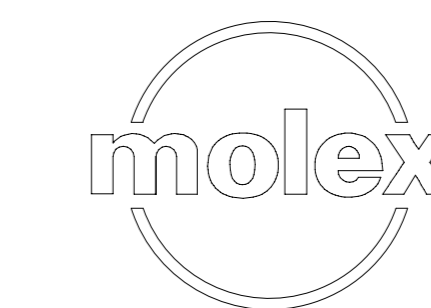
IF HEADER IS RECESSED INTO A POCKET, THESE DIMENSIONS REPRESENT
THE CLEARANCE REQUIRED FOR THE MATING CONNECTOR SHROUD



SECTION B-B

NOTES: UNLESS OTHERWISE SPECIFIED

- ALL DIMENSIONS SHOWN IN MILLIMETERS.
- DIMENSIONING AND TOLERANCING PER ASME Y14.5M-1994.
- RADII ON ALL CORNERS SHOWN SHARP OR ALL UNSPECIFIED RADII 0.25 EXCEPT AS NOTED.
- REFER TO "SAE/JSCAR - 12 CONNECTOR DESIGN GUIDELINES FOR ADDITIONAL INFORMATION."
- A FULL SHROUD ON THE MATING CONNECTOR IS REQUIRED TO INSURE THAT THE CONNECTOR-HEADER POLARIZATION FEATURES (OPTIONS A THROUGH D) WILL FUNCTION. THE FULL SHROUD ALSO PREVENTS SCOOP DAMAGE TO THE HEADER PINS. REFER TO "SAE/JSCAR-12 CONNECTOR DESIGN GUIDELINES" FOR ADDITIONAL INFORMATION.
- RECOMMENDED COLORS FOR POLARIZATION - DEVIATION REQUIRES APPROVAL OF AUTHORIZED PERSON.
- 0.25 DEGREE DRAFT ON INSIDE WALLS STARTING AT DATUM G.
- SECTION LINES ARE COMMON TO ALL OPTIONS.
- DIMENSIONS IN () ARE FOR REFERENCE.
- FOR PIN GEOMETRIC AND PLATING REQUIREMENTS. REFER TO EWCAP DWG. NO. EWCAP-001, DETAIL 064-T001.



064-S-006-1-D02	D	BLACK	(D3)
064-S-006-1-C02	C	DK. GRAY	(D2)
064-S-006-1-B02	B	LT. GRAY	(D1)
064-S-006-1-A02	A	BLACK	
EWCAP PIN	OPTION	MATING CONNECTOR COLOR	

157	D3	CHANGED COLOR, BLACK WAS GREEN	08-12-19		
	D2	CHANGED COLOR, DK. GRAY WAS BROWN			
	D1	CHANGED COLOR, LT. GRAY WAS GRAY			
133	C	ADDED PARALLELISM CONTROL	09-28-16	DG	RCB
69	B	ADDED 23.87 IN SECTION C-C	03-22-07	TS	SV
		ADDED 24.01 IN SECTION C-C			
	A	INITIAL RELEASE	09-26-03	DG	RC

CHANGE SERIAL NUMBER	LET	REVISION RECORD	DATE	DWN	CHK
----------------------	-----	-----------------	------	-----	-----

TOLERANCES (UNLESS OTHERWISE SPECIFIED)		THIRD ANGLE PROJECTION	
DIMENSIONS ARE IN MILLIMETERS		ANGLES ± 3°	
X.X ± 0.25		X.XX ± 0.10	

USCAR-EWCAP			
SCALE	8 - 1	DRAWN BY	A.BUTCHER
CHECKED BY	D.GRIFFITHS	DATE	09-26-03
TITLE DIRECT CONNECT INTERFACE 6 WAY (1 X 6) 0.64 mm SEALED MALE			
SHEET	DRAWING NUMBER	SIZE	REVISION LEVEL
1 OF 1	064-S-006-1-Z02	E	D