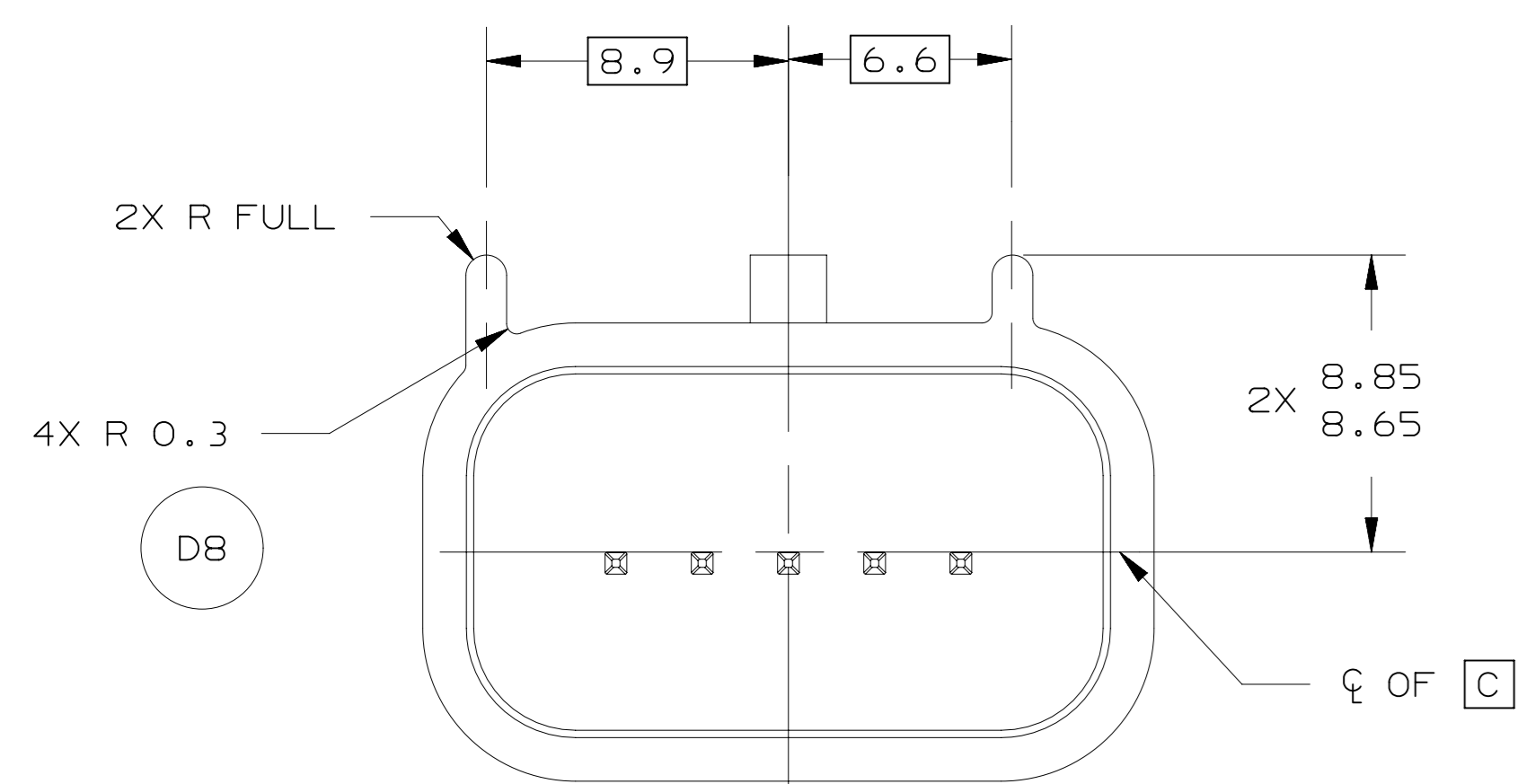
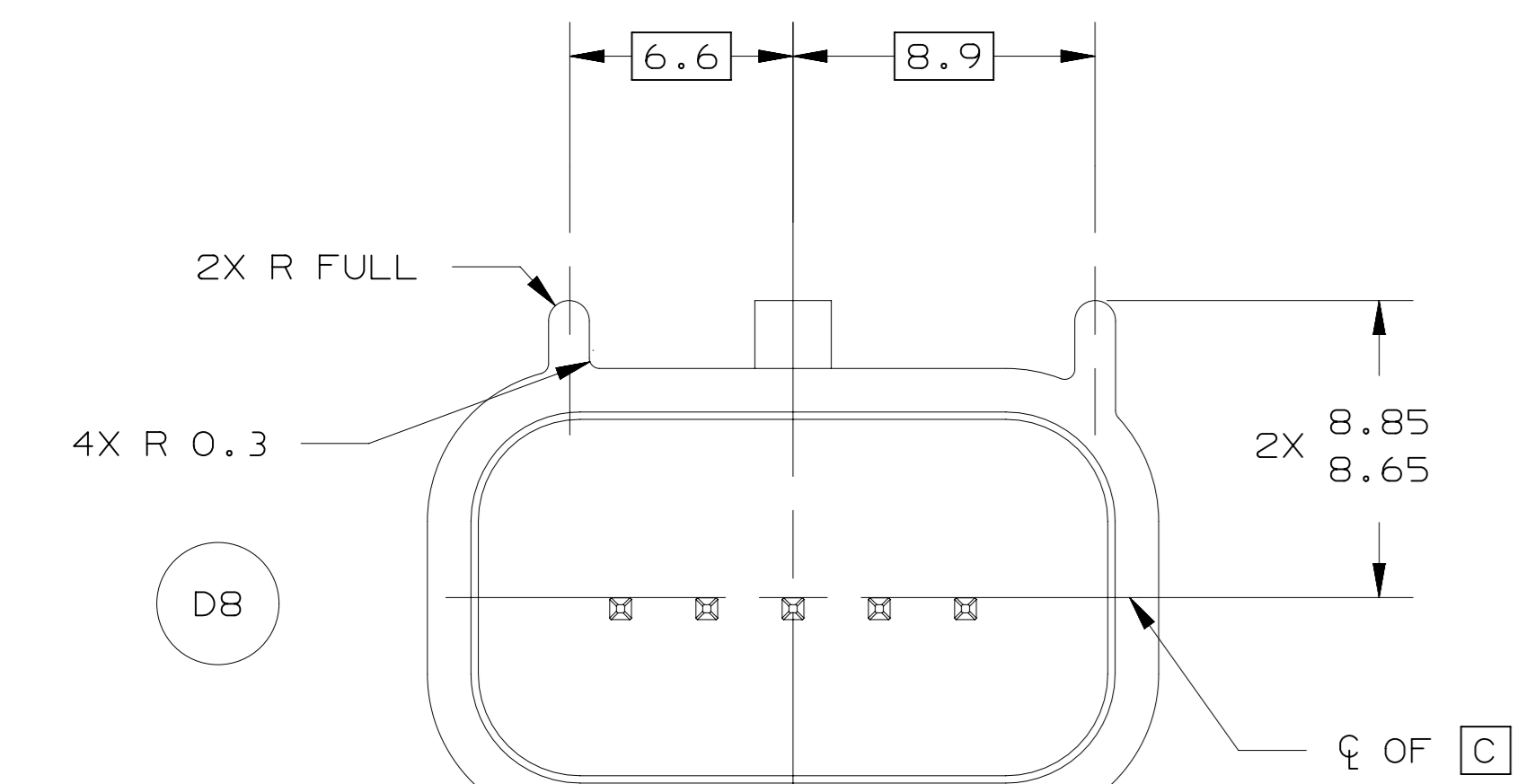


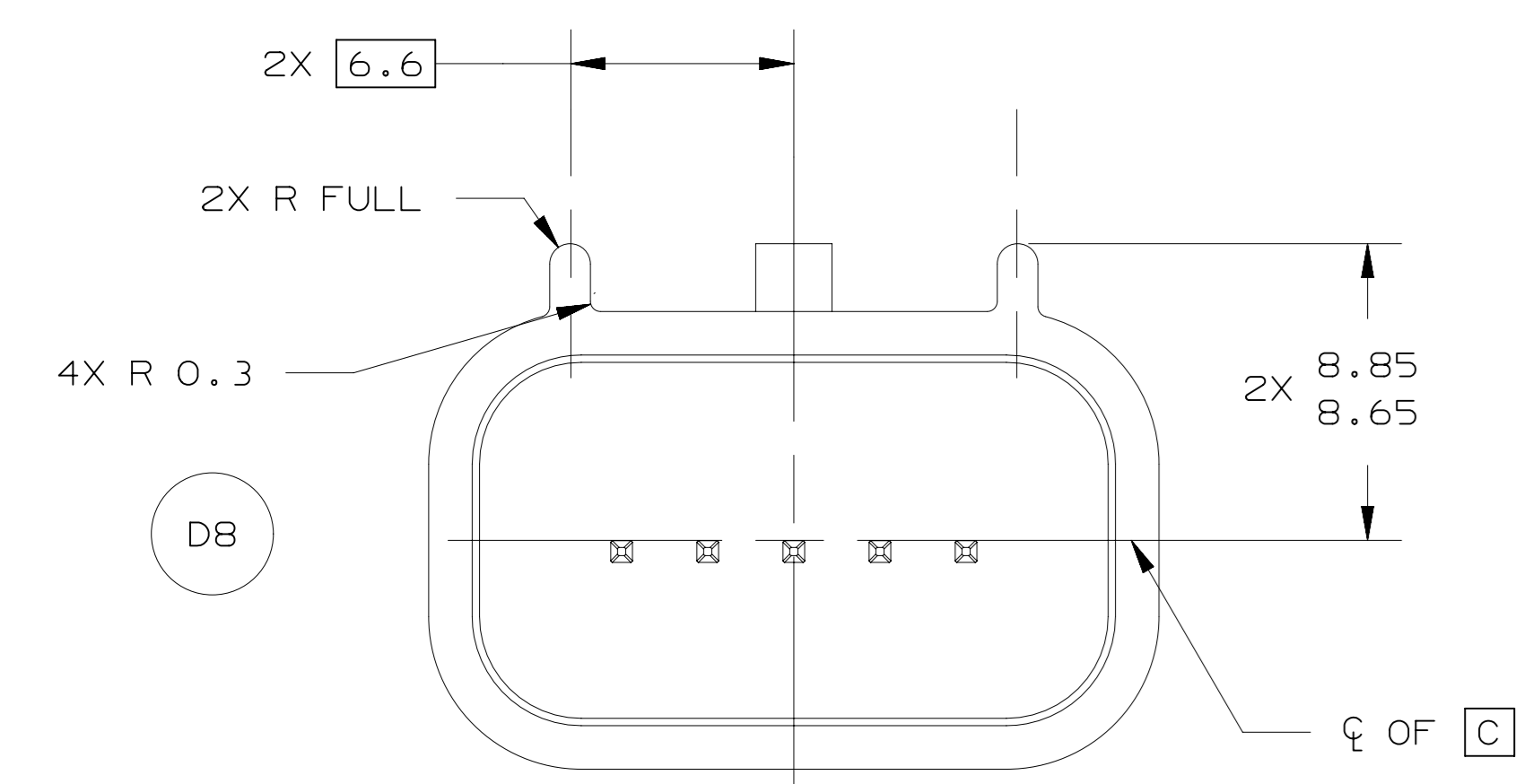
064-S-005-1-A01 (OPTION A)



064-S-005-1-B01 (OPTION B)

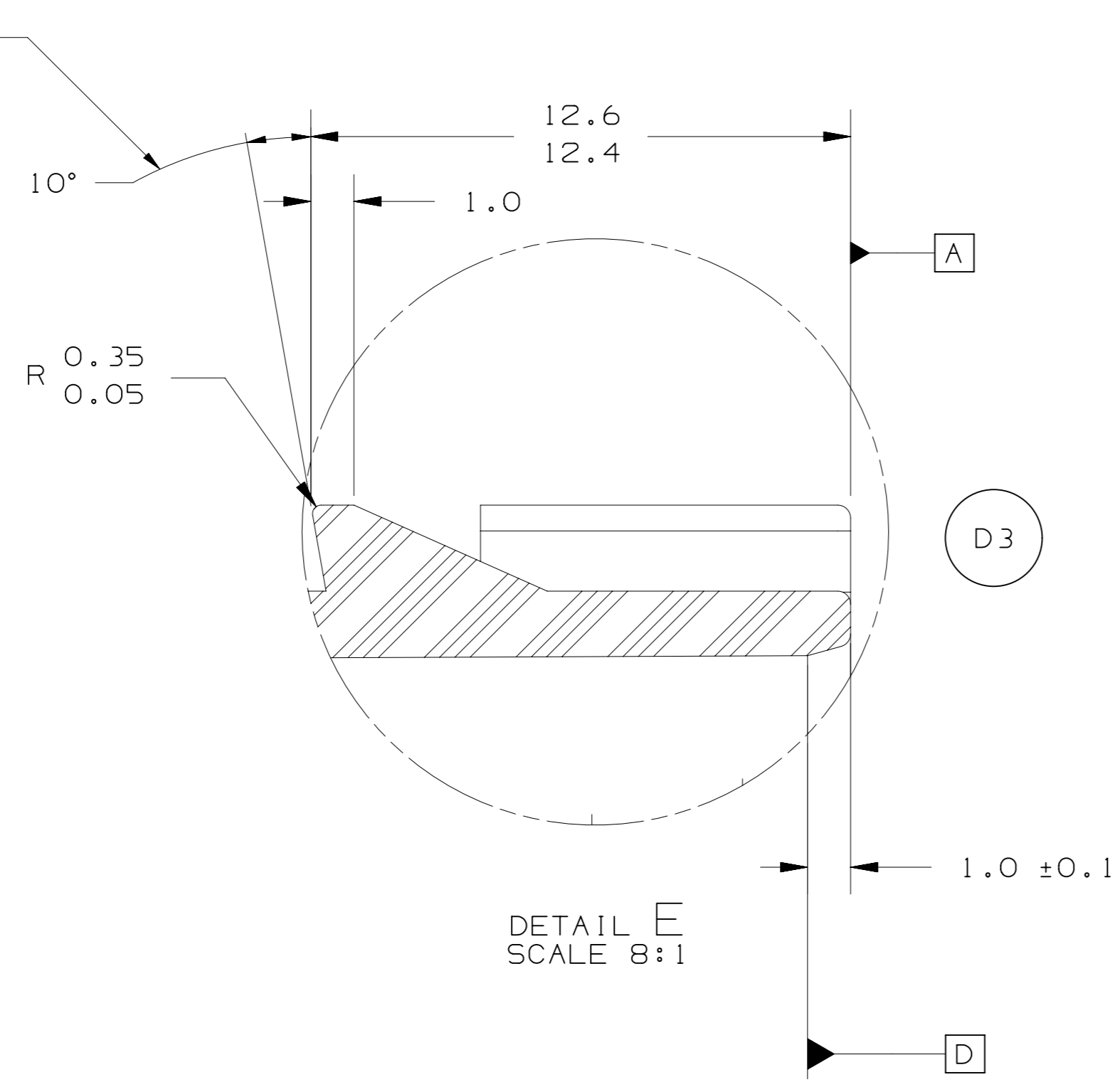


064-S-005-1-C01 (OPTION C)

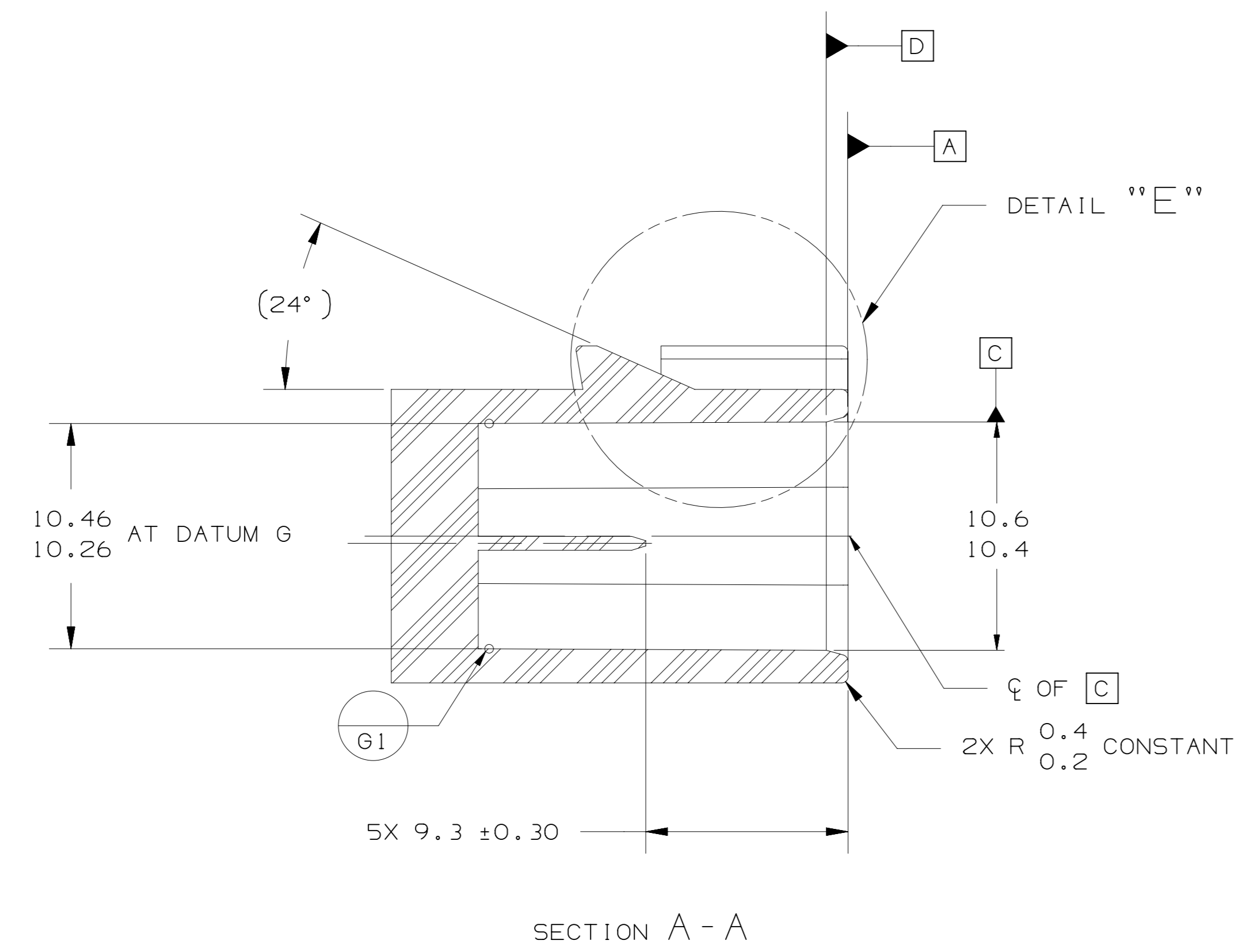


064-S-005-1-D01 (OPTION D)

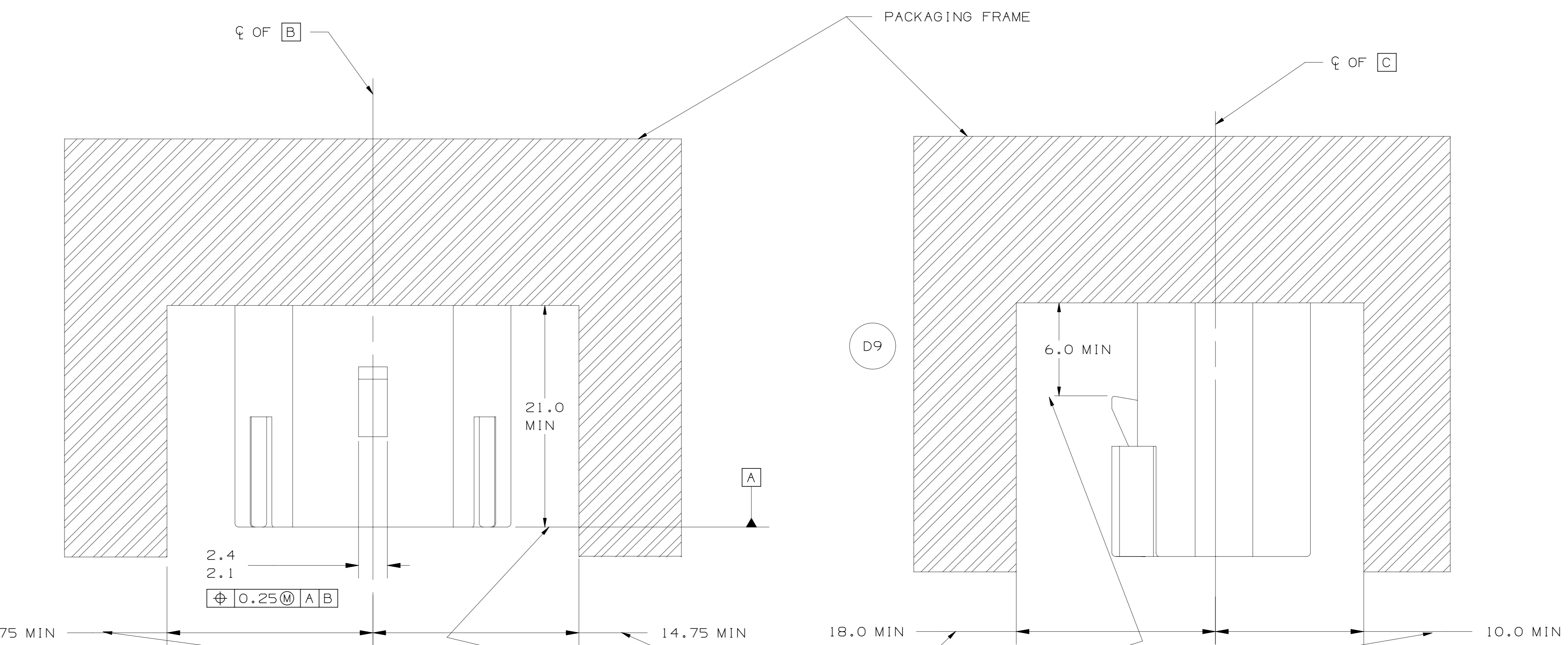
ELIMINATION OF BACK ANGLE REQUIRES APPROVAL OF RESPONSIBLE ENGINEER



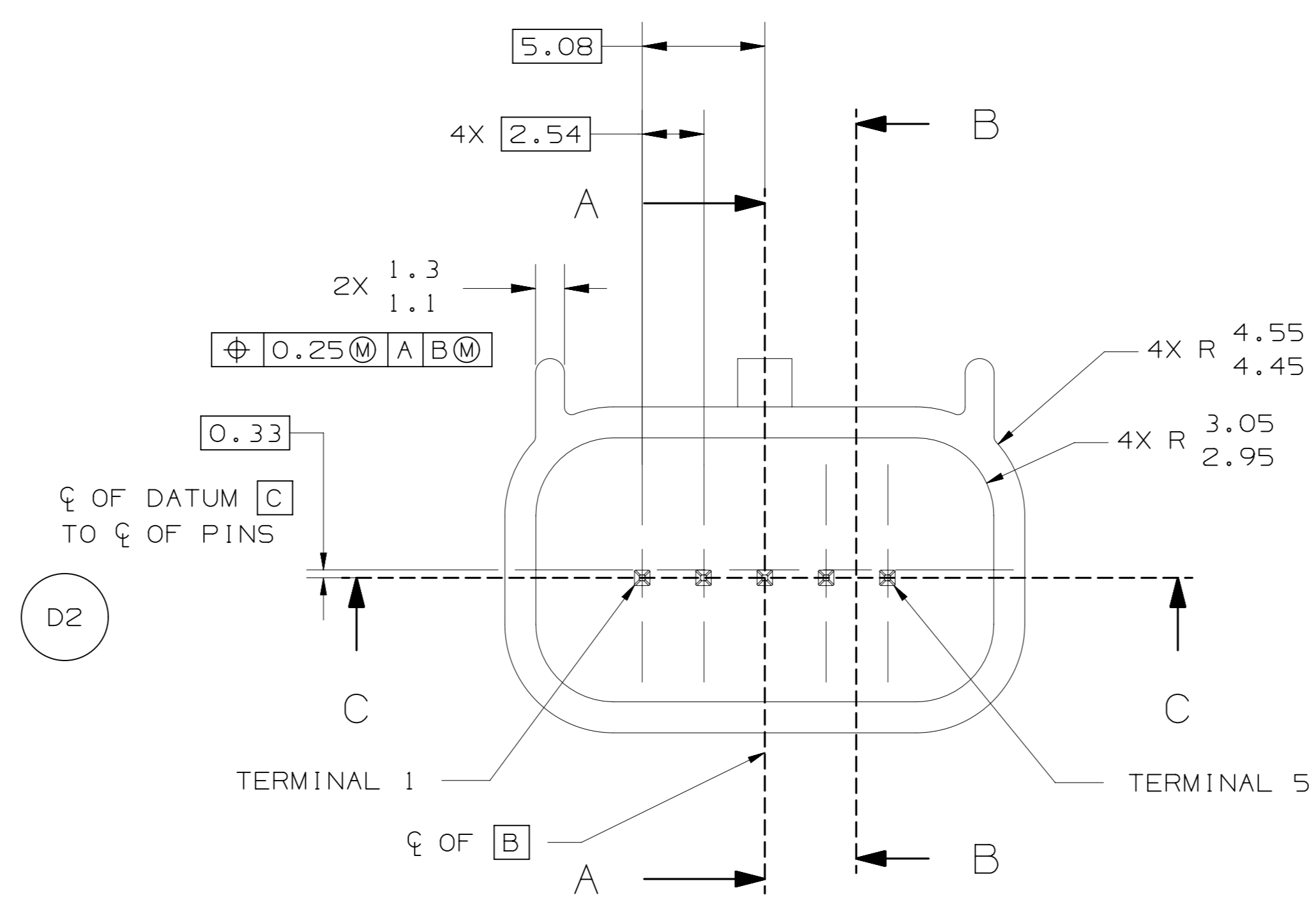
DETAIL E SCALE 8:1



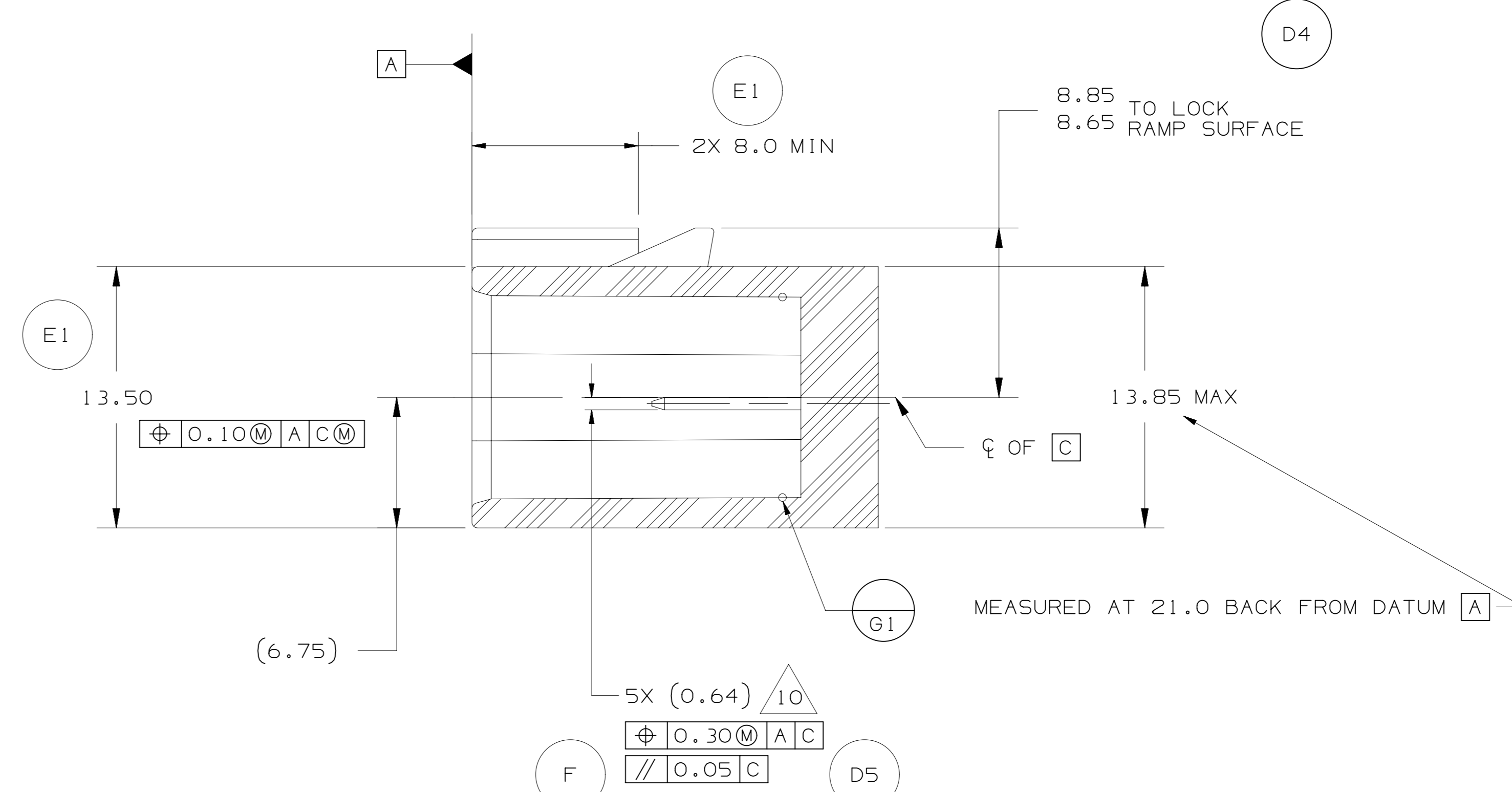
SECTION A-A



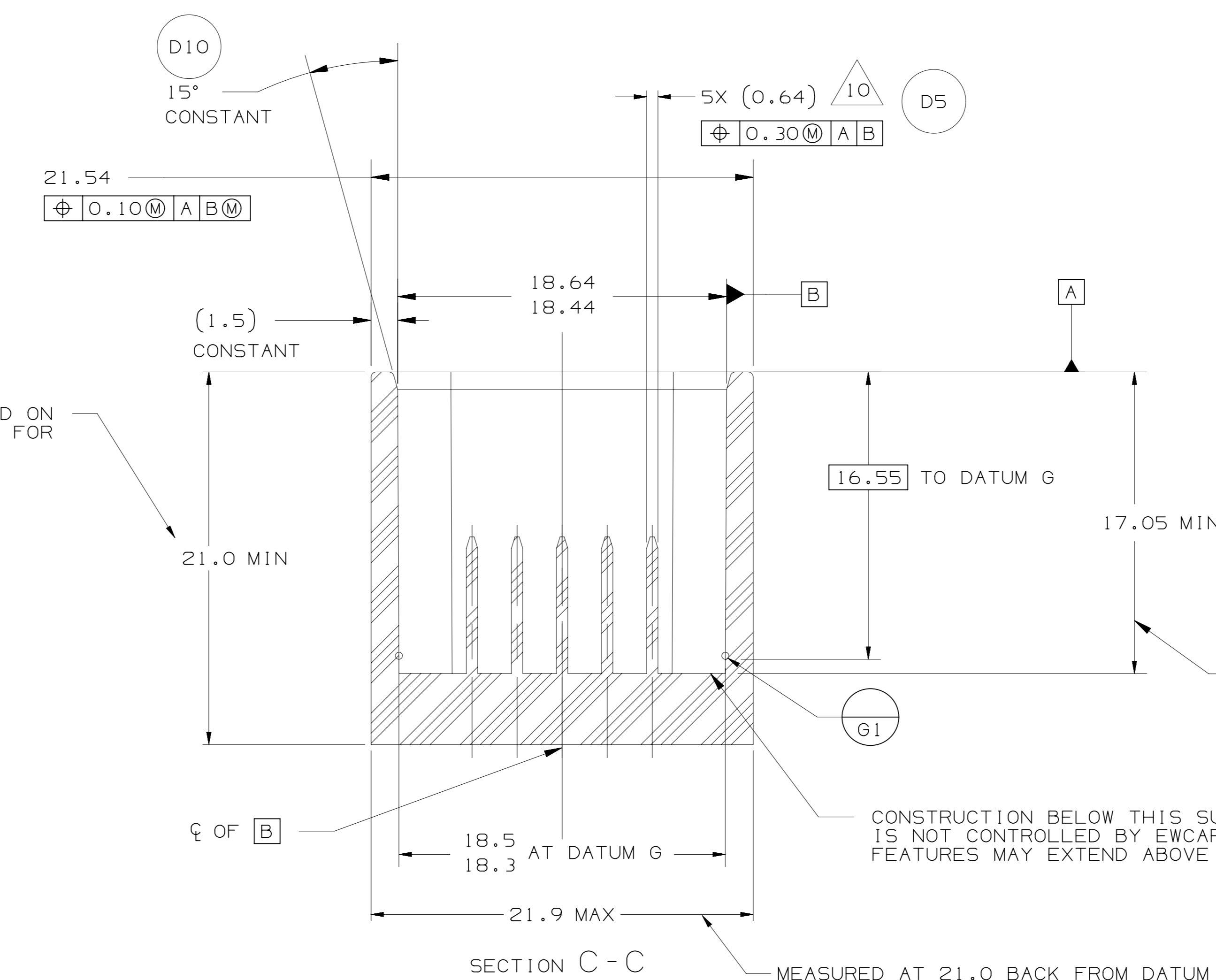
IF HEADER IS RECESSED INTO A POCKET, THESE DIMENSIONS REPRESENT THE CLEARANCE REQUIRED FOR THE MATING CONNECTOR SHROUD



OPTION A SHOWN

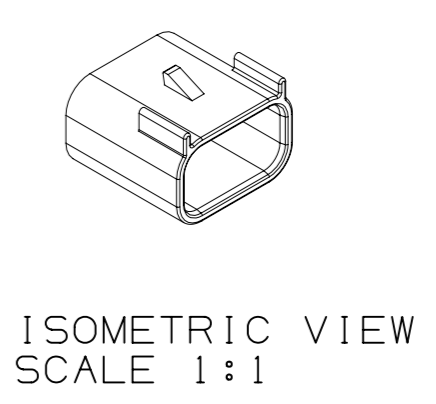


SECTION B-B



SECTION C-C

- NOTES:
- ALL DIMENSIONS SHOWN IN MILLIMETERS.
 - DIMENSIONING AND TOLERANCING PER ASME Y14.5M-1994.
 - RADII ON ALL CORNERS SHOWN SHARP OR ALL UNSPECIFIED RADII: 0.25 EXCEPT AS NOTED.
 - REFER TO "SAE/USCAR-12 CONNECTOR DESIGN GUIDELINES" FOR ADDITIONAL INFORMATION.
 - A FULL SHROUD ON THE MATING CONNECTOR IS REQUIRED TO INSURE THAT THE CONNECTOR-HEADER POLARIZATION FEATURES (OPTIONS A THROUGH D) WILL FUNCTION. THE FULL SHROUD ALSO PREVENTS SCOOP DAMAGE TO THE HEADER PINS. REFER TO "SAE/USCAR-12 CONNECTOR DESIGN GUIDELINES" FOR ADDITIONAL INFORMATION.
 - RECOMMENDED COLORS FOR POLARIZATION - DEVIATION REQUIRES APPROVAL OF AUTHORIZED PERSON.
 - 0.25 DEGREE DRAFT ON INSIDE WALLS STARTING AT DATUM D.
 - SECTION LINES ARE COMMON TO ALL OPTIONS.
 - DIMENSIONS IN () ARE FOR REFERENCE.
 - FOR PIN GEOMETRIC AND PLATING REQUIREMENTS, REFER TO EWCAP DWG. NO. EWCAP-001, DETAIL 064-T001



ISOMETRIC VIEW SCALE 1:1

CHANGE SET NO.	DESCRIPTION	DATE	BY	CHK
113	F	ADDED PARALLELISM CONTROL	28SEP16	CGD RCB
046	E1	DIM 13.50 WAS 13.5, 2X 8.0 MIN WAS 2X 8.6 MIN	09JUN04	MB JD
D10		15° WAS 17°/13°		
D9		ADDED PKG DIM 6.0 MIN		
D8		R 0.3 ADDED		
D7		ADDED NOTE 10.		
D6		ANGLES TOLERANCE ±2° WAS 0°/30°		
D5		ADDED FEATURE CONTROL BOX		
		MOVED PIN DETAILS TO DWG. EWCAP-001		
		EDIT DRAWING TO CONFORM TO THE LATEST USCAR SPECIFICATION		
D4		ADDED DIM 8.85/8.65 AND NOTE "TO LOCK RAMP SURFACE".		
D3		REMOVED DIM 1.3°/17° FROM DETAIL E		
D2		ADDED NOTE C OF DATUM G TO C OF PINS AND MOVED DIM FROM SET. A-A		
024	D1	REMOVED NOTICE	08MAY03	JC JJ
012A	C	SEE CHANGE NOTICE	04FEB03	JC JJ
006	B	PIN NOTES UPDATED.	22MAY02	
		DIMENSIONS UPDATED.		
		NO PHYSICAL CHANGES MADE TO THE DESIGN.		

LET	REVISION	RECORD	DATE	DWN	CHK
A	RELEASED		30AUG01	RR	

USCAR-EWCAP			
SCALE	DRAWN BY	CHECKED BY	DATE
1-5	J. CUPIT	J. JONES	
DIRECT CONNECT INTERFACE -5 WAY (1X5) 0.64MM SEALED MALE			
SHEET NUMBER	TITLE	DATE	REVISION LEVEL
1-1	064-S-005-1-Z01	E	F

EWCAP P/N	OPTION	MATING CONNECTOR COLOR
064-S-005-1-D01	D	GREEN
064-S-005-1-C01	C	BROWN
064-S-005-1-B01	B	GREY
064-S-005-1-A01	A	BLACK

DELPHI CONNECTION SYSTEMS
15438860 REV 02AB

064-S-005-1-A01