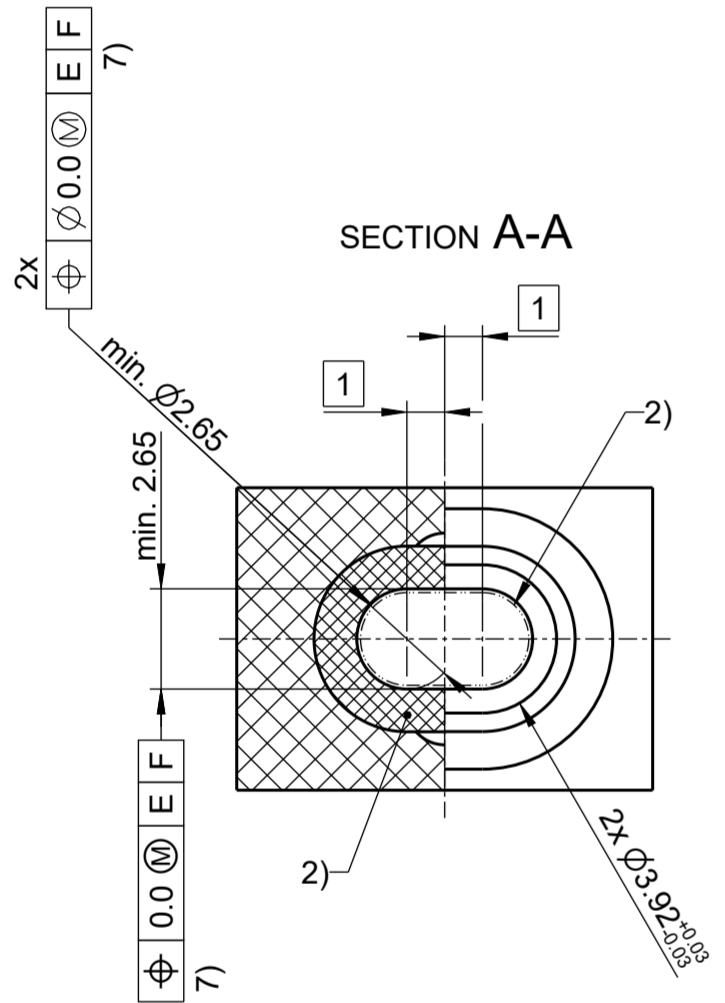
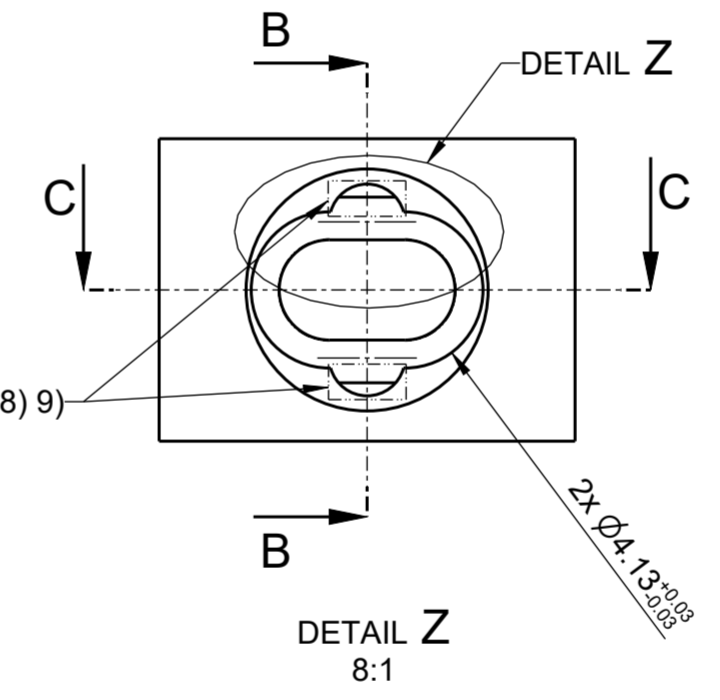
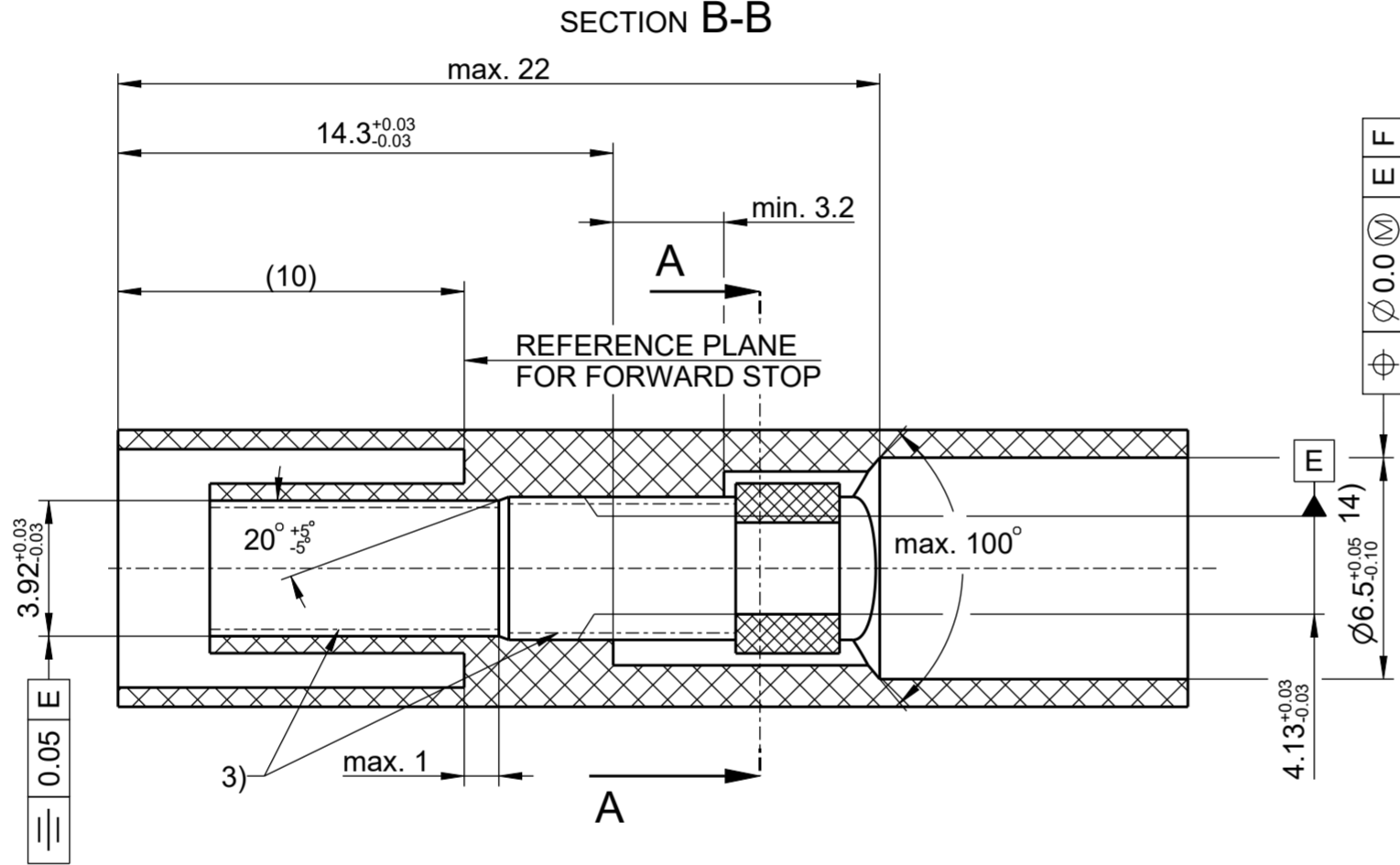
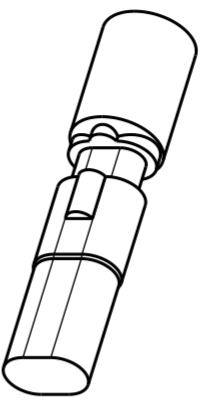
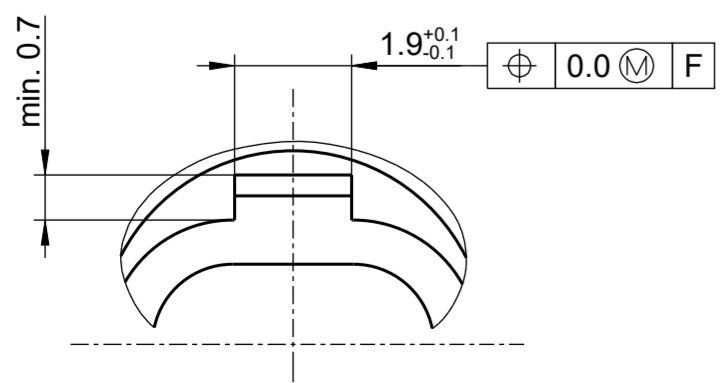


ISOMETRIC VIEW  
SCALE:

2:1



- 1) LATCHING PLANE OF THE CONTACT (PRIMARY LOCK AND SECONDARY LOCK).
- 2) ENGAGEMENT OF PRIMARY LOCK AND SECONDARY LOCK POSSIBLE IN THE MARKED AREA. THE MANUFACTURER OF THE HOUSING IS RESPONSIBLE FOR THE EXPLICIT GEOMETRY OF THE LOCKING FEATURE.
- 3) MINIMUM REQUIRED GUIDE LENGTH IN THE CAVITY:
  - a) BEGINNING OF THE GUIDE LENGTH
  - b) ENDING OF THE GUIDE LENGTH
- 4) RECOMMENDED MATERIAL PROPERTIES: SEE INTERFACE.
- 5) VALID MATING INTERFACE DRAWING MUST BE RESPECTED.
- 6) CLEARANCE BETWEEN TERMINAL AND LOCKING MUST ALLOW FULL ASSEMBLY.
- 7) POSITIONAL TOLERANCE TO MALE CONTACT CAVITY IN ASSEMBLED STATE.
- 8) DIMENSIONS IS FOR CIRCULARITY AND RECTANGLE SHAPES PERMITTED.
- 9) ALTERNATIVELY THE GEOMETRY CAN BE DESIGNED AS FOLLOWS:



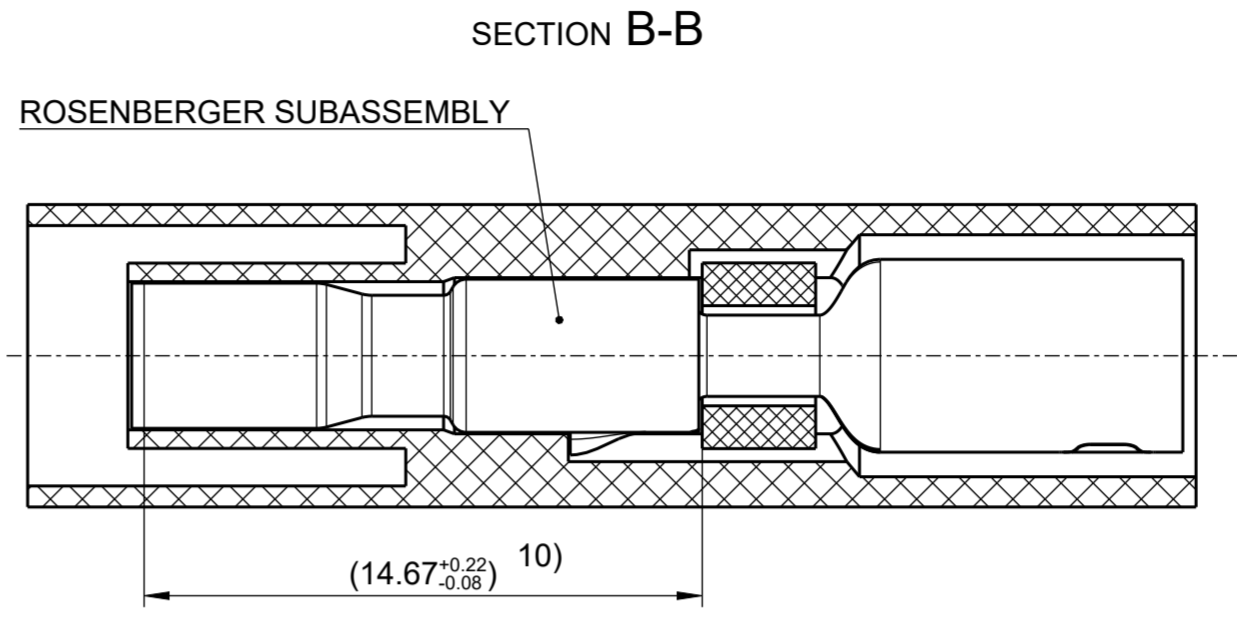
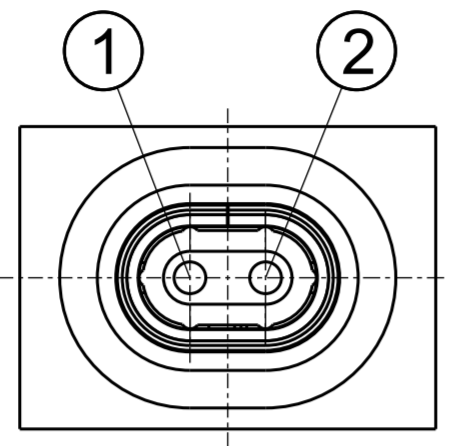
**NOTICE:**  
This drawing, or portions of it are controlled by the Electrical Wiring Components Application Partnership(EWCAP ) a subgroup of the United States Council for Automotive Research LLC (USCAR LLC).  
USCAR is an LLC consisting of members from FCA US LLC, Ford Motor Company and GM Corporation.  
Any change to a EWCAP controlled portion of this drawing, including a revision record change must be approved, in writing, by the responsible EWCAP representative from each USCAR member company. Each EWCAP representative authorized to sign for his or her member company is responsible for obtaining all necessary approvals within that company prior to signing for the approval of the change.  
EWCAP expressly prohibits any party from changing either any EWCAP controlled portion of this drawing or any associated tooling before receiving approval, signed by the authorized representatives, of the USCAR member companies. Reference to the signed change notice must be entered in the drawing control column.

CHANGE SERIAL NUMBER	LET	REVISION RECORD	DATE	DWN	CHK
	A	INITIAL RELEASE	11/07/24		
TOLERANCES (UNLESS OTHERWISE SPECIFIED) DIMENSIONS ARE IN MILLIMETERS SIZE ISO 14405 / TOLERANCING ISO 8015 DIMENSIONING AND TOLERANCE FOR PLASTIC PARTS: DIN 20457 - TG4					
THIRD ANGLE PROJECTION					
USCAR - EWCAP					
SCALE	5:1	DRAWN BY	S. STROM	CHECKED BY	M. OETTL
TITLE	H-MTD CONTACT CAVITY MALE				
SHEET	1 of 3	DRAWING NUMBER	EWCAP-CAV-U-STP-M-002	SIZE	A2
			DO NOT SCALE DRAWING	COMPUTER AIDED DRAWING	REVISION LEVEL
			A		

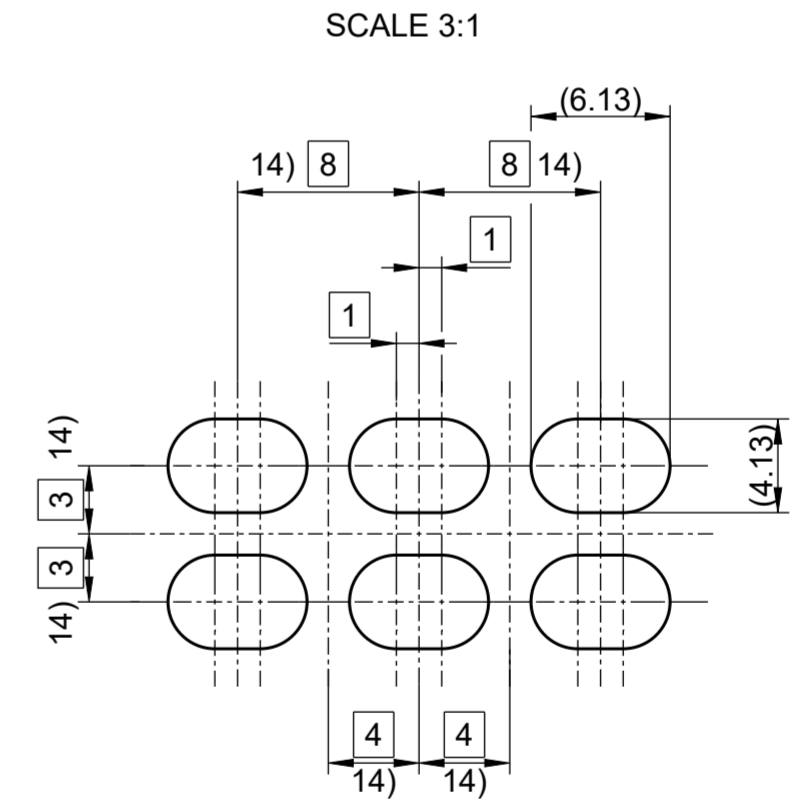
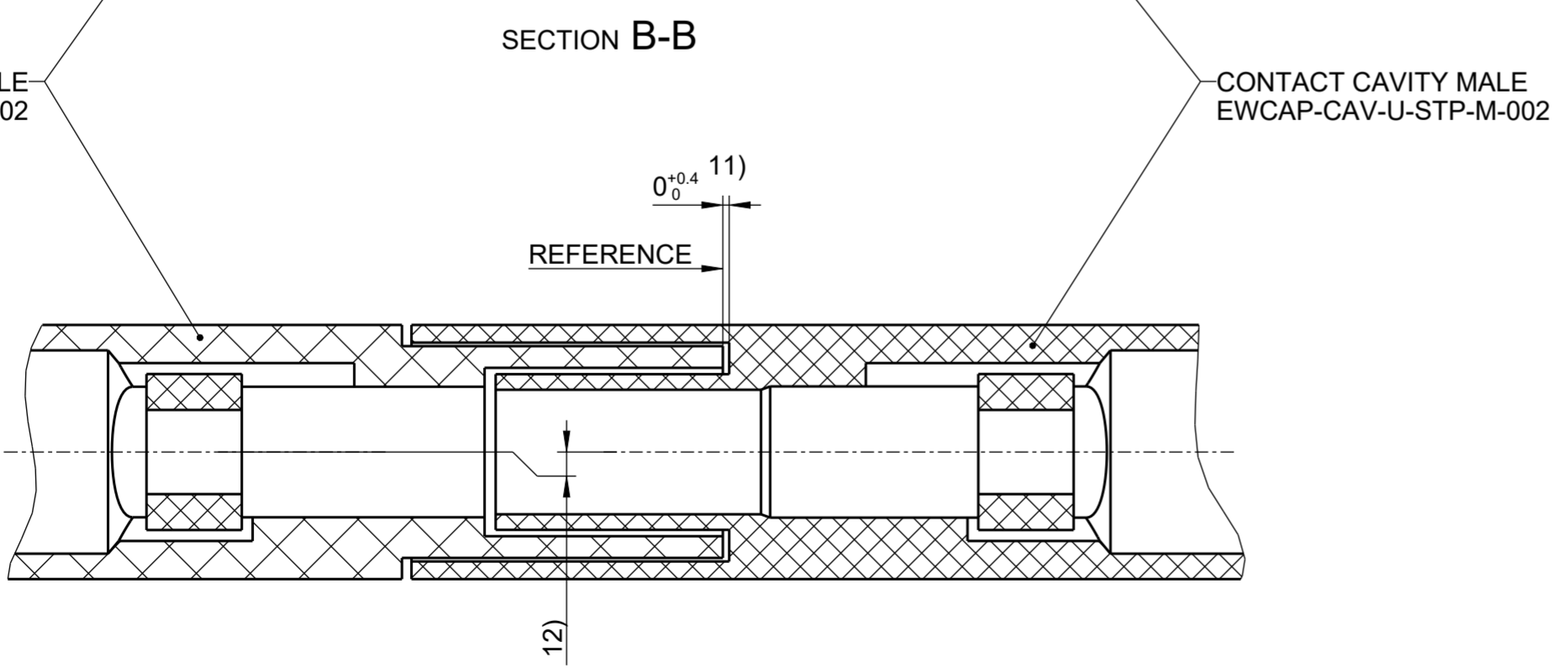
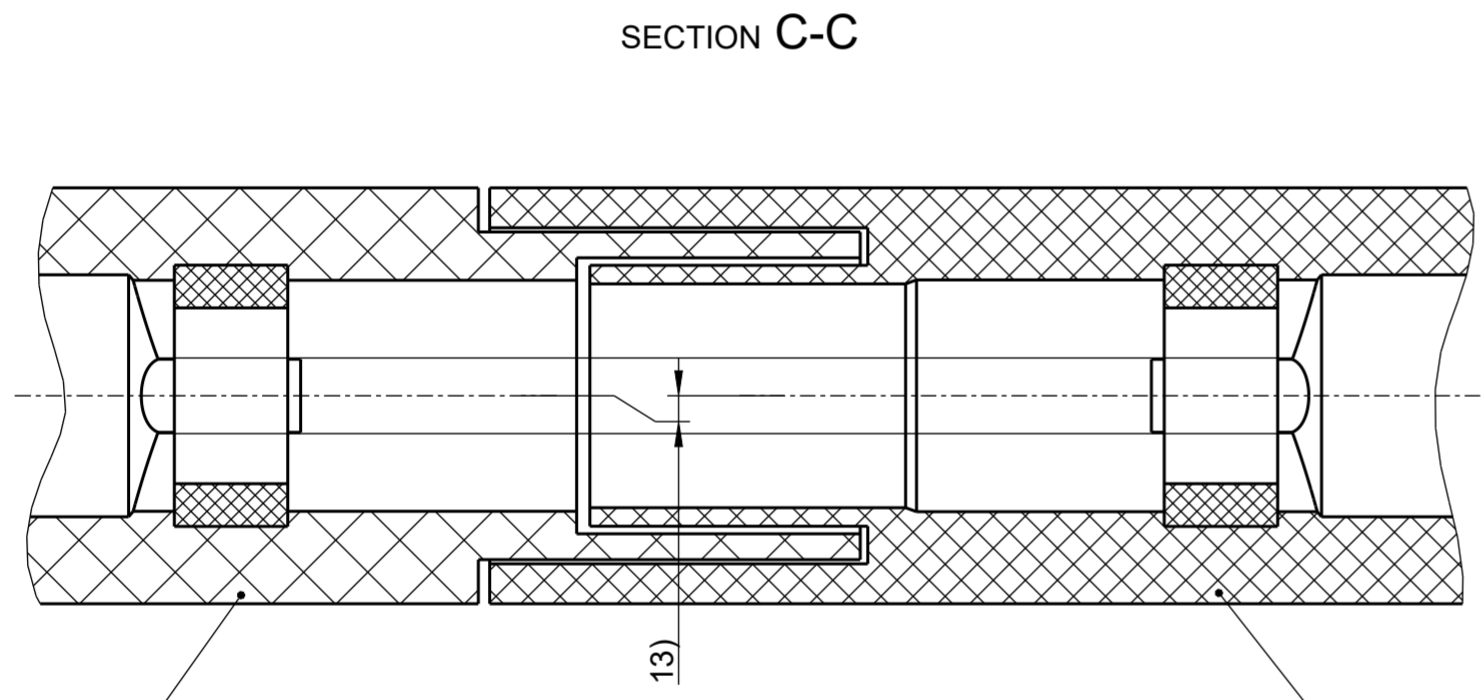
**Rosenberger**  
D-84526 Tittmoning  
Germany

DRAWING SHOWS CONNECTOR FULLY ASSEMBLED.

○ = Pinning



10) POSITION OF SHIELD CONTACT.



14) CAVITY OVERLAPPING IS POSSIBLE FOR MULTI PORT CONNECTORS.

- 11) DISTANCE OF THE CONTACT CAVITIES TO EACH OTHER MUST BE RESPECTED IN FULLY ASSEMBLED CONDITION.
- 12) ANGULAR MISALIGNMENT max.  $\pm 2.3^\circ$  AND OFFSET max.  $\pm 0.28\text{mm}$  TO FEMALE CONTACT CAVITY IN FULLY ASSEMBLED CONDITION.
- 13) ANGULAR MISALIGNMENT max.  $\pm 2.1^\circ$  AND OFFSET max.  $\pm 0.26\text{mm}$  TO FEMALE CONTACT CAVITY IN FULLY ASSEMBLED CONDITION.

**Rosenberger**  
D-84526 Tittmoning  
Germany

TOLERANCES (UNLESS OTHERWISE SPECIFIED)		THIRD ANGLE PROJECTION	
DIMENSIONS ARE IN MILLIMETERS			
SIZE ISO 14405 / TOLERANCING ISO 8015			
DIMENSIONING AND TOLERANCE FOR PLASTIC PARTS: DIN 20457 - TG4			
<i>USCAR-EWCAP</i>			
SCALE	DRAWN BY	CHECKED BY	DATE
5:1	S. STROM	M. OETTL	11/07/24
TITLE			
H-MTD CONTACT CAVITY MALE			
SHEET	DRAWING NUMBER	SIZE	REVISION LEVEL
2 of 3	EWCAP-CAV-U-STP-M-002	A2	A
DO NOT SCALE DRAWING		COMPUTER AIDED DRAWING	

NOTICE

EWCAP HAS SELECTED COMMON DIMENSIONS FOR THE CONNECTOR(S) DEPICTED AND DESCRIBED HEREIN (LISTED BELOW). FURTHER, EWCAP HAS SELECTED FOR PUBLICATION THIS DRAWING (AND ITS COMPANION ELECTRONIC MODEL) PREPARED BY ROSENBERGER AS REPRESENTATIVE OF A CONNECTOR HAVING THESE DIMENSIONS. IN EXCHANGE FOR THE CONSIDERATION OF THE SELECTION OF THIS DRAWING FOR PUBLICATION (INCLUDING POSTING ON EWCAP'S WEB SITE) AND OTHER GOOD AND VALUABLE CONSIDERATION FLOWING FROM THIS SECTION, ROSENBERGER HEREBY AGREES ON BEHALF OF ITSELF AND ITS SUCCESSORS AND ASSIGNS, WITH RESPECT TO ANY COPYRIGHTS IT MAY HAVE IN THIS DRAWING AS WELL AS ANY PATENT RIGHTS IT MAY HAVE IN THE CONNECTOR ILLUSTRATED IN THIS DRAWING, NOT TO ENFORCE SUCH COPYRIGHTS AND PATENTS AGAINST ANY PERSON OR ENTITY ON ACCOUNT OF THEIR ACTIVITIES TO MAKE, HAVE MADE, USE AND SELL THE CONNECTOR ILLUSTRATED IN THIS DRAWING FOR VEHICULAR APPLICATIONS. THE TERM "CONNECTOR" AS USED IN THIS PARAGRAPH IS LIMITED SOLELY TO THE STRUCTURE SPECIFICALLY ILLUSTRATED IN THIS DRAWING.

SIGNED M. ZEBHAUSER FOR ROSENBERGER. DATE: 11/07/24  
 NAME AND TITLE OF SIGNER: M. ZEBHAUSER

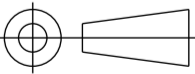
THE PERSON SIGNING THIS AGREEMENT REPRESENTS AND WARRANTS THAT (1) HE OR SHE IS DULY AUTHORIZED AND HAS LEGAL CAPACITY TO EXECUTE AND DELIVER AGREEMENT ON BEHALF OF ROSENBERGER, (2) THE EXECUTION AND DELIVERY OF THIS AGREEMENT AND THE PERFORMANCE OF ROSENBERGER PURSUANT TO THE TERMS OUTLINED ABOVE HAVE BEEN DULY AUTHORIZED AND THAT THIS AGREEMENT IS A VALID AND LEGAL AGREEMENT BINDING ON JULY 11, 2024 AND ENFORCEMENT IN ACCORDANCE WITH ITS TERMS.

NO WARRANTIES OR INDEMNITIES OF ANY KIND ARE MADE OR IMPLIED BY ROSENBERGER OR EWCAP. IN PARTICULAR THERE ARE NO EXPRESS OR IMPLIED WARRANTIES OF FITNESS FOR A PARTICULAR PURPOSE, MERCHANTABILITY, NON-INFRINGEMENT OR ANY OTHER WARRANTY OF ANY KIND. IN ADDITION, THERE ARE NO EXPRESS OR IMPLIED WARRANTIES OR INDEMNITIES OF ANY KIND RELATING TO THIRD PARTY CLAIMS ARISING UNDER THE INTELLECTUAL PROPERTY LAWS OF ANY COUNTRY. ANYONE USING THE INFORMATION IN THIS DRAWING DOES SO AT THEIR OWN RISK.

APPLICABLE EWCAP DRAWING NUMBERS:  
 777-U-002-1-Z01  
 EWCAP-CAV-U-STP-F-002

**Rosenberger**

D-84526 Tittmoning  
 Germany

TOLERANCES (UNLESS OTHERWISE SPECIFIED)		THIRD ANGLE PROJECTION	
DIMENSIONS ARE IN MILLIMETERS			
SIZE ISO 14405 / TOLERANCING ISO 8015			
DIMENSIONING AND TOLERANCE FOR PLASTIC PARTS: DIN 20457 - TG4			
<i>USCAR-EWCAP</i>			
SCALE	DRAWN BY	CHECKED BY	DATE
---	S. STROM	M. OETTL	11/07/24
TITLE			
H-MTD CONTACT CAVITY MALE			
SHEET	DRAWING NUMBER	SIZE	REVISION LEVEL
3 of 3	EWCAP-CAV-U-STP-M-002	A2	A
		DO NOT SCALE DRAWING	COMPUTER AIDED DRAWING