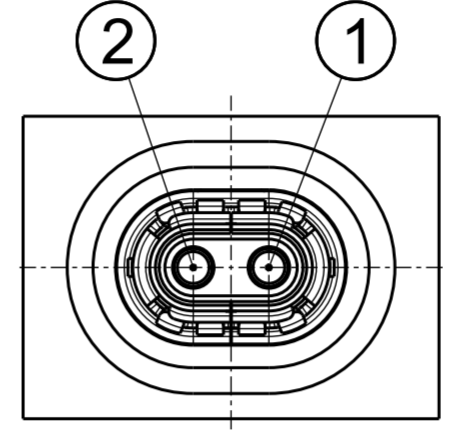
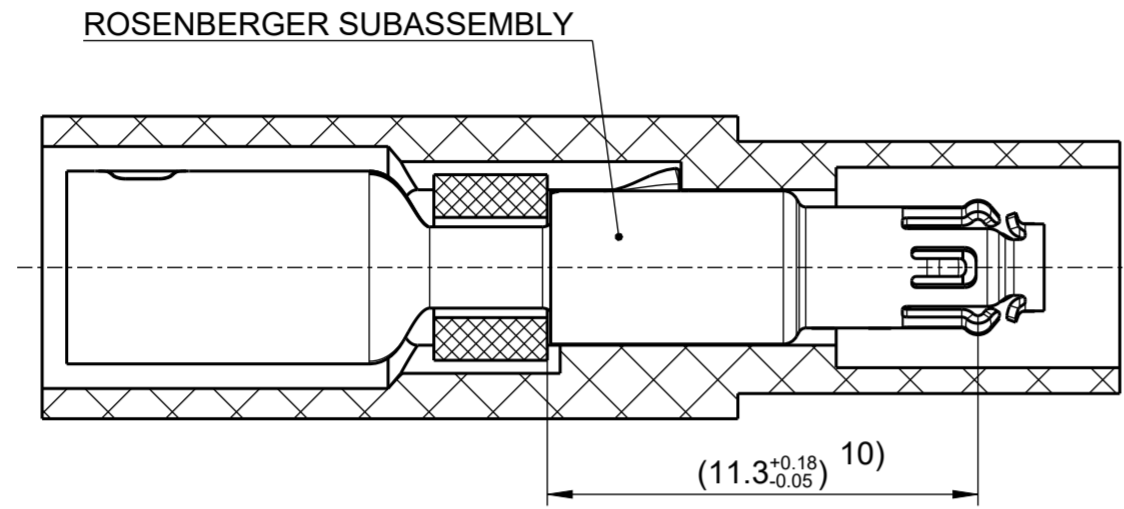


DRAWING SHOWS
CONNECTOR FULLY ASSEMBLED.

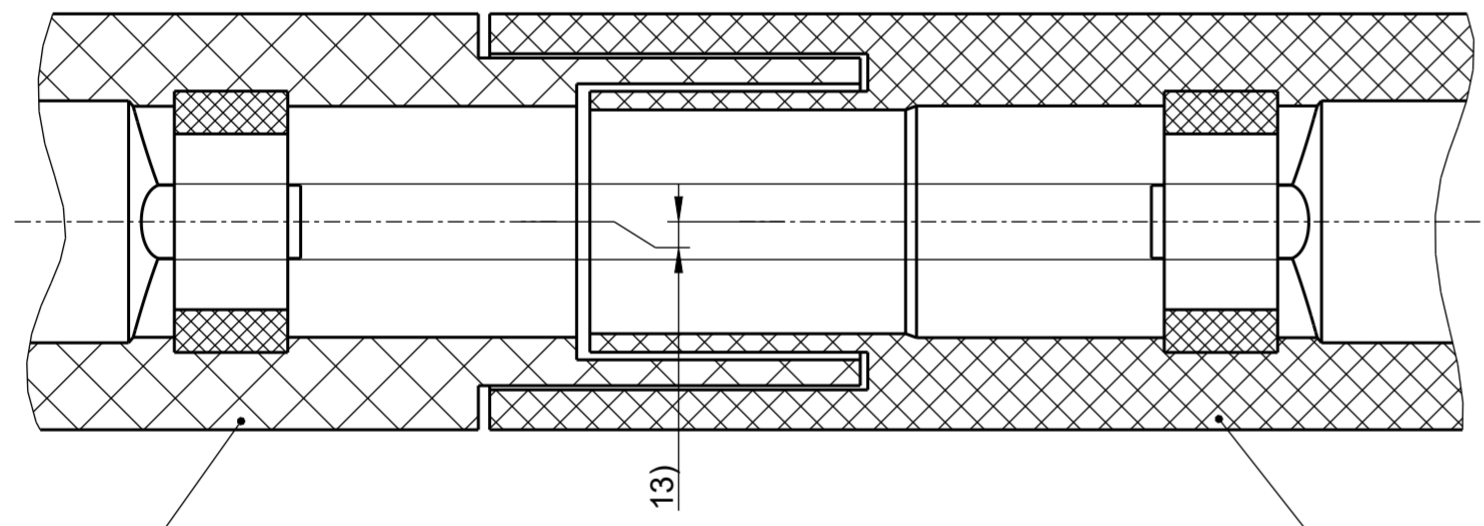
○ = Pinning

SECTION B-B

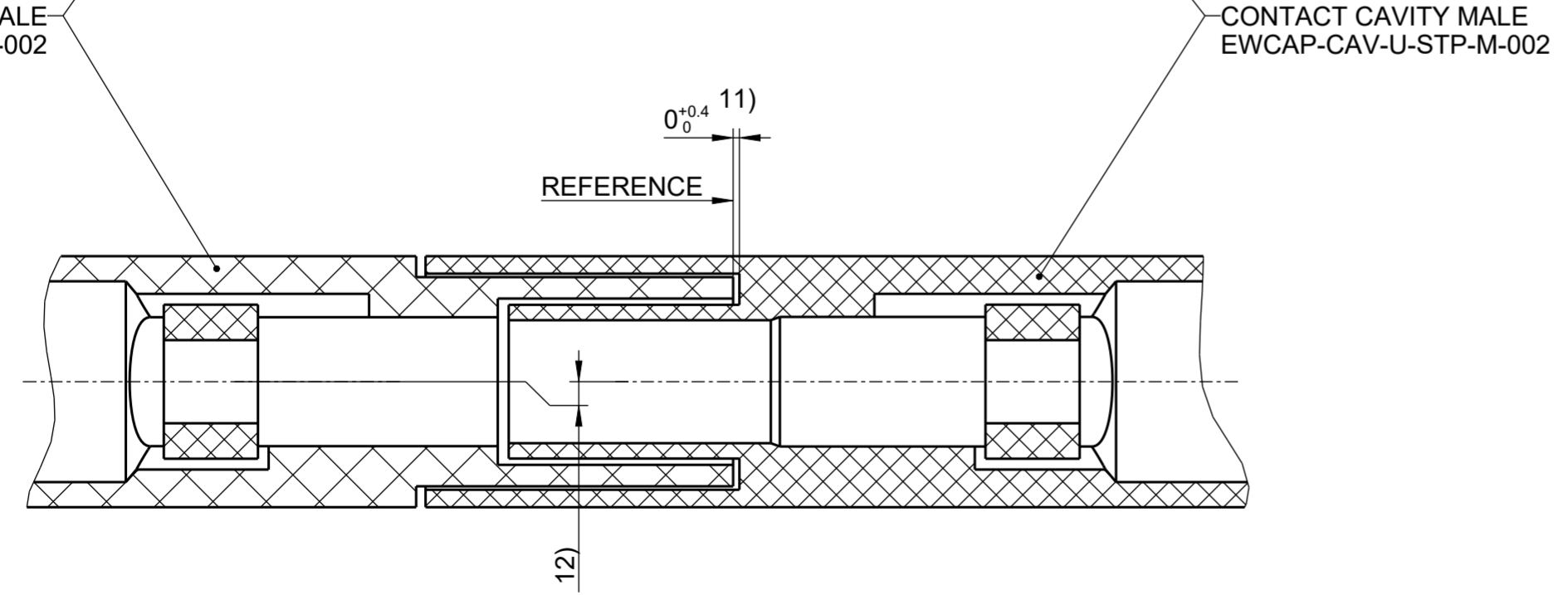


10) POSITION OF THE SHIELD CONTACT.

SECTION C-C

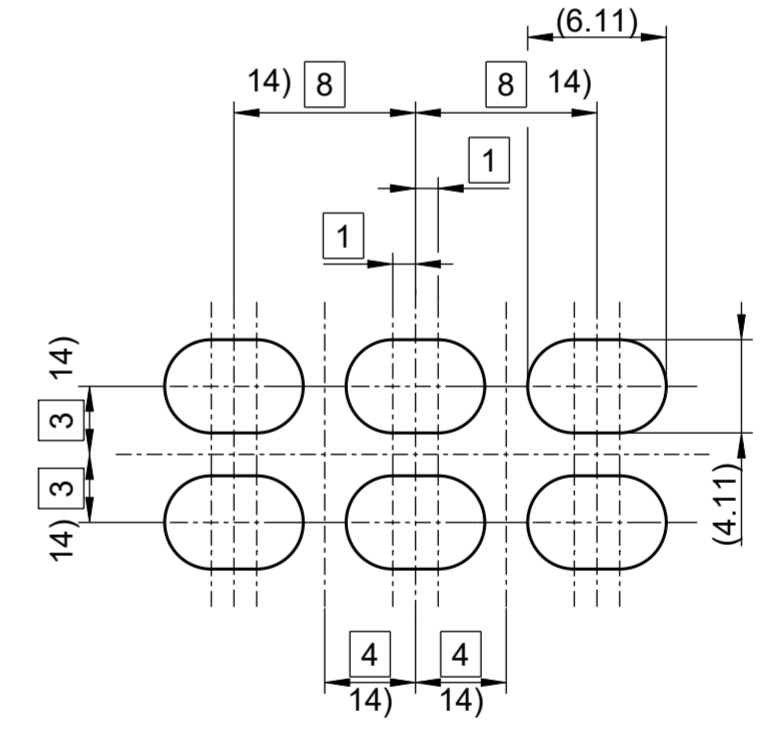


SECTION B-B



- 11) DISTANCE OF THE CONTACT CAVITIES TO EACH OTHER MUST BE RESPECTED IN FULLY ASSEMBLED CONDITION.
- 12) ANGULAR MISALIGNMENT max. $\pm 2.3^\circ$ AND OFFSET max. $\pm 0.28\text{mm}$ TO MALE CONTACT CAVITY IN FULLY ASSEMBLED CONDITION.
- 13) ANGULAR MISALIGNMENT max. $\pm 2.1^\circ$ AND OFFSET max. $\pm 0.26\text{mm}$ TO MALE CONTACT CAVITY IN FULLY ASSEMBLED CONDITION.

SCALE 3:1



14) CAVITY OVERLAPPING IS POSSIBLE FOR MULTI-PORT CONNECTORS.

Rosenberger
D-84526 Tittmoning
Germany

TOLERANCES (UNLESS OTHERWISE SPECIFIED)		THIRD ANGLE PROJECTION	
DIMENSIONS ARE IN MILLIMETERS			
SIZE ISO 14405 / TOLERANCING ISO 8015			
DIMENSIONING AND TOLERANCE FOR PLASTIC PARTS: DIN 20457 - TG4			
<i>USCAR-EWCAP</i>			
SCALE 5:1	DRAWN BY S. STROM	CHECKED BY M. OETTL	DATE 11/07/24
TITLE H-MTD CONTACT CAVITY FEMALE OPTION 2			
SHEET 2 of 3	DRAWING NUMBER EWCAP-CAV-U-STP-F-002	SIZE A2	DO NOT SCALE DRAWING COMPUTER AIDED DRAWING
			REVISION LEVEL A

NOTICE

EWCAP HAS SELECTED COMMON DIMENSIONS FOR THE CONNECTOR(S) DEPICTED AND DESCRIBED HEREIN (LISTED BELOW). FURTHER, EWCAP HAS SELECTED FOR PUBLICATION THIS DRAWING (AND ITS COMPANION ELECTRONIC MODEL) PREPARED BY ROSENBERGER AS REPRESENTATIVE OF A CONNECTOR HAVING THESE DIMENSIONS. IN EXCHANGE FOR THE CONSIDERATION OF THE SELECTION OF THIS DRAWING FOR PUBLICATION (INCLUDING POSTING ON EWCAP'S WEB SITE) AND OTHER GOOD AND VALUABLE CONSIDERATION FLOWING FROM THIS SECTION, ROSENBERGER HEREBY AGREES ON BEHALF OF ITSELF AND ITS SUCCESSORS AND ASSIGNS, WITH RESPECT TO ANY COPYRIGHTS IT MAY HAVE IN THIS DRAWING AS WELL AS ANY PATENT RIGHTS IT MAY HAVE IN THE CONNECTOR ILLUSTRATED IN THIS DRAWING, NOT TO ENFORCE SUCH COPYRIGHTS AND PATENTS AGAINST ANY PERSON OR ENTITY ON ACCOUNT OF THEIR ACTIVITIES TO MAKE, HAVE MADE, USE AND SELL THE CONNECTOR ILLUSTRATED IN THIS DRAWING FOR VEHICULAR APPLICATIONS. THE TERM "CONNECTOR" AS USED IN THIS PARAGRAPH IS LIMITED SOLELY TO THE STRUCTURE SPECIFICALLY ILLUSTRATED IN THIS DRAWING.

SIGNED M. ZEBHAUSER FOR ROSENBERGER. DATE: 11/07/24
 NAME AND TITLE OF SIGNER: M. ZEBHAUSER

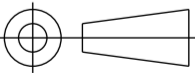
THE PERSON SIGNING THIS AGREEMENT REPRESENTS AND WARRANTS THAT (1) HE OR SHE IS DULY AUTHORIZED AND HAS LEGAL CAPACITY TO EXECUTE AND DELIVER AGREEMENT ON BEHALF OF ROSENBERGER, (2) THE EXECUTION AND DELIVERY OF THIS AGREEMENT AND THE PERFORMANCE OF ROSENBERGER PURSUANT TO THE TERMS OUTLINED ABOVE HAVE BEEN DULY AUTHORIZED AND THAT THIS AGREEMENT IS A VALID AND LEGAL AGREEMENT BINDING ON JULY 11, 2024 AND ENFORCEMENT IN ACCORDANCE WITH ITS TERMS.

NO WARRANTIES OR INDEMNITIES OF ANY KIND ARE MADE OR IMPLIED BY ROSENBERGER OR EWCAP. IN PARTICULAR THERE ARE NO EXPRESS OR IMPLIED WARRANTIES OF FITNESS FOR A PARTICULAR PURPOSE, MERCHANTABILITY, NON-INFRINGEMENT OR ANY OTHER WARRANTY OF ANY KIND. IN ADDITION, THERE ARE NO EXPRESS OR IMPLIED WARRANTIES OR INDEMNITIES OF ANY KIND RELATING TO THIRD PARTY CLAIMS ARISING UNDER THE INTELLECTUAL PROPERTY LAWS OF ANY COUNTRY. ANYONE USING THE INFORMATION IN THIS DRAWING DOES SO AT THEIR OWN RISK.

APPLICABLE EWCAP DRAWING NUMBERS:
 777-U-002-1-Z01
 EWCAP-CAV-U-STP-M-002

Rosenberger

D-84526 Tittmoning
 Germany

TOLERANCES (UNLESS OTHERWISE SPECIFIED)		THIRD ANGLE PROJECTION	
DIMENSIONS ARE IN MILLIMETERS			
SIZE ISO 14405 / TOLERANCING ISO 8015			
DIMENSIONING AND TOLERANCE FOR PLASTIC PARTS: DIN 20457 - TG4			
<i>USCAR-EWCAP</i>			
SCALE ---	DRAWN BY S. STROM	CHECKED BY M. OETTL	DATE 11/07/24
TITLE H-MTD CONTACT CAVITY FEMALE OPTION 2			
SHEET 3 of 3	DRAWING NUMBER EWCAP-CAV-U-STP-F-002	SIZE A2	REVISION LEVEL A
		DO NOT SCALE DRAWING COMPUTER AIDED DRAWING	