

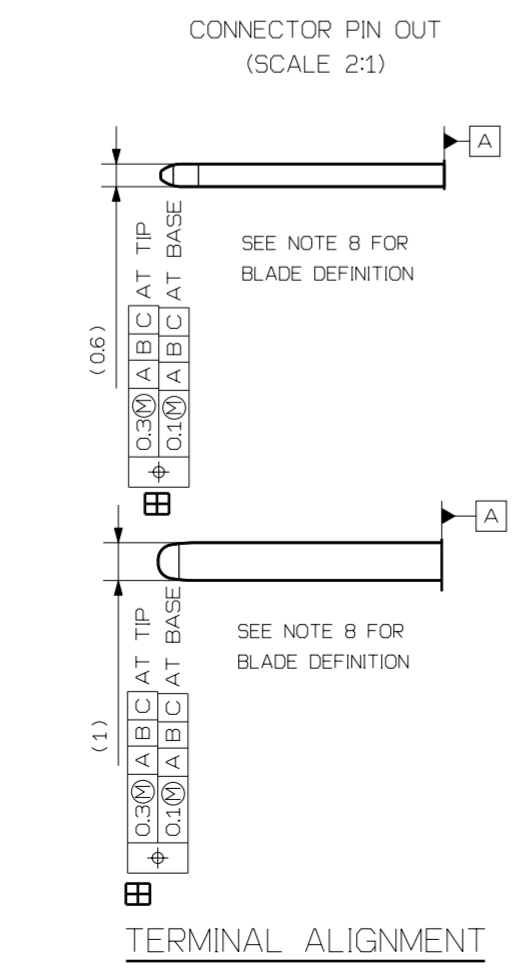
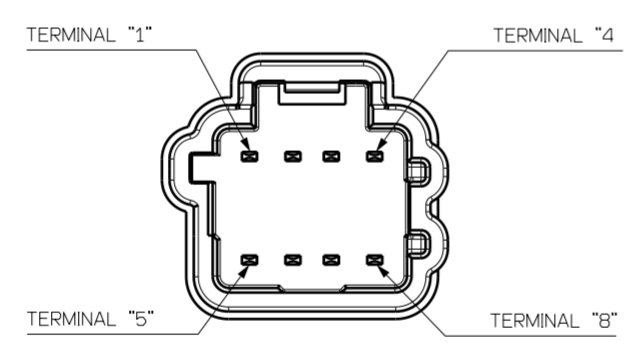
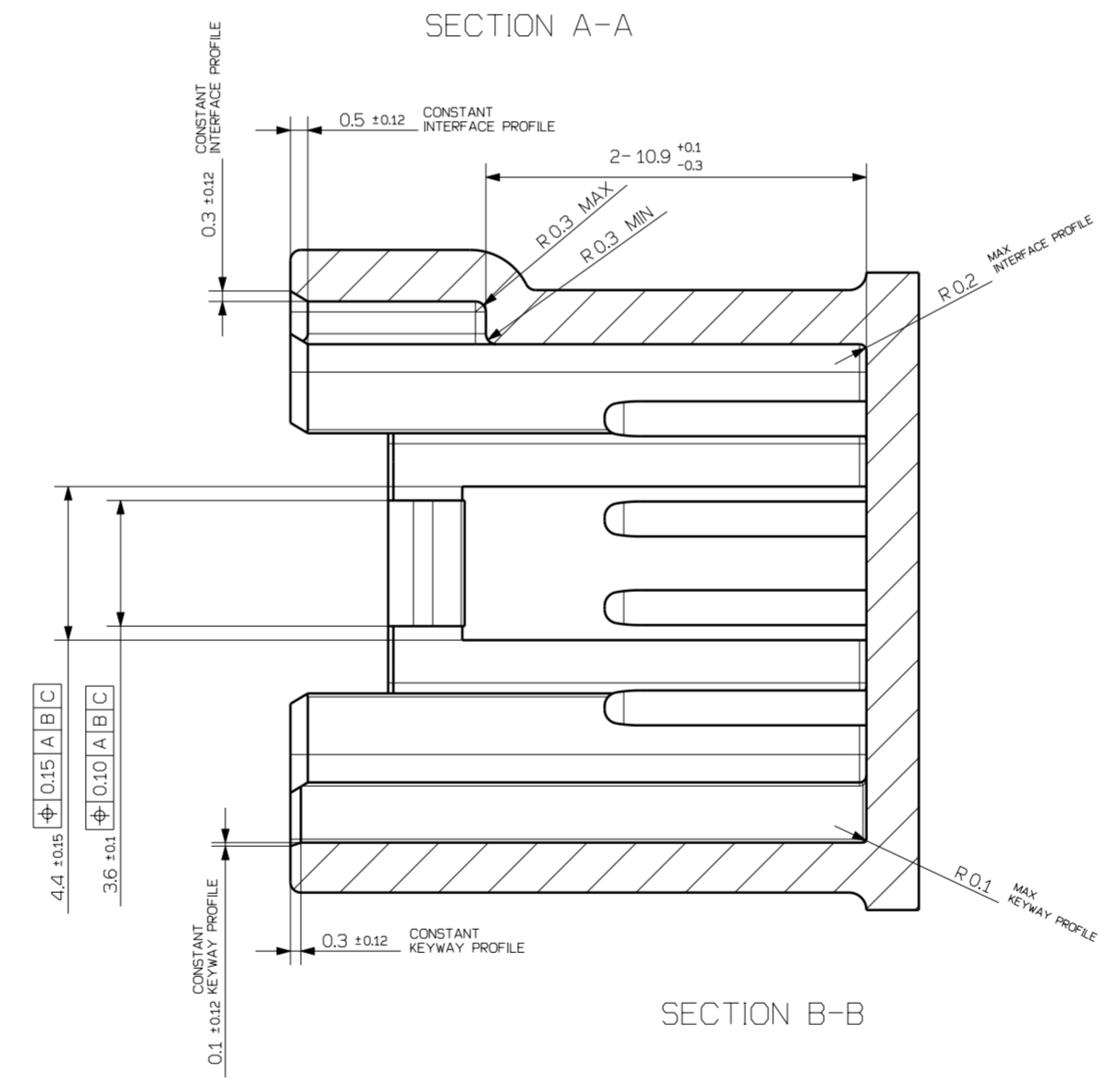
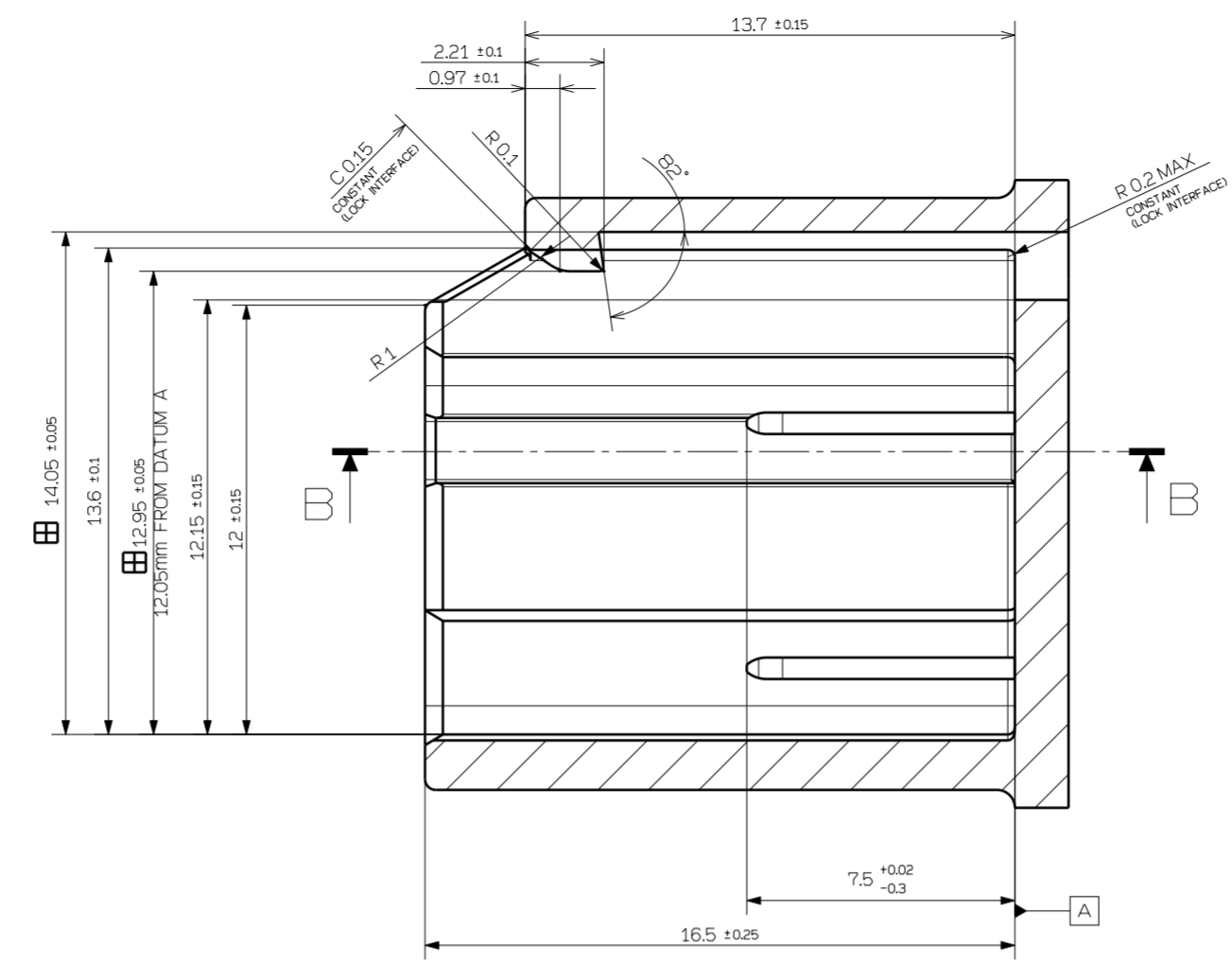
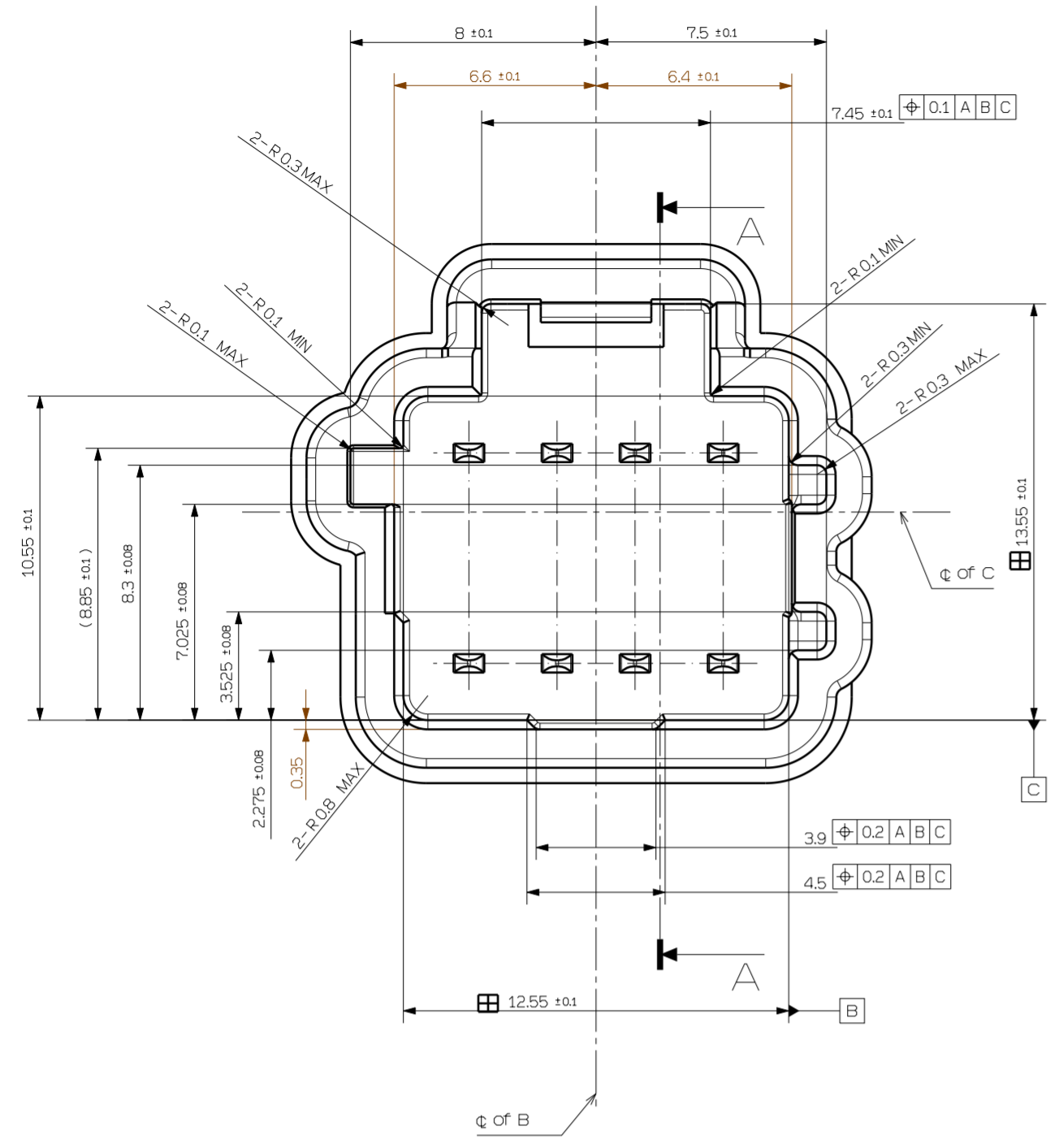
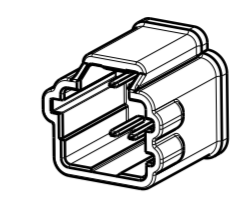
**NOTICE**

THIS DRAWING, OR PORTIONS OF IT, ARE CONTROLLED BY THE ELECTRICAL WIRING COMPONENTS APPLICATION PARTNERSHIP (EWCAP), A SUBGROUP OF THE UNITED STATES COUNSEL FOR AUTOMOTIVE RESEARCH LLC (USCAR LLC).

USCAR IS A LLC CONSISTING OF MEMBERS FROM FCA US LLC, FORD MOTOR COMPANY, AND GM COMPANY.

ANY CHANGE TO A EWCAP CONTROLLED PORTION OF THIS DRAWING, INCLUDING A "REVISION RECORD," MUST BE APPROVED, IN WRITING, BY THE RESPONSIBLE EWCAP REPRESENTATIVE FROM EACH USCAR MEMBER COMPANY. EACH EWCAP REPRESENTATIVE AUTHORIZED TO SIGN FOR HIS OR HER MEMBER COMPANY IS RESPONSIBLE FOR OBTAINING ALL NECESSARY APPROVALS WITHIN THAT COMPANY PRIOR TO SIGNING FOR THE APPROVAL OF THE CHANGE.

EWCAP EXPRESSLY PROHIBITS ANY PARTY FROM CHANGING EITHER ANY EWCAP CONTROLLED PORTION OF THIS DRAWING OR ANY ASSOCIATED TOOLING BEFORE RECEIVING APPROVAL, SIGNED BY THE AUTHORIZED REPRESENTATIVES OF EACH USCAR MEMBER COMPANIES. REFERENCE TO THE SIGNED CHANGE NOTICE MUST BE ENTERED IN THE DRAWING CONTROL COLUMN.

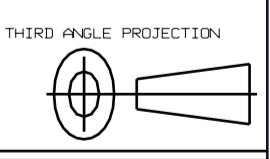


- NOTES: UNLESS OTHERWISE SPECIFIED
1. DIMENSIONING AND TOLERANCING PER ASME Y14.5M.
  2. 0.25 MAX RADII ON ALL CORNERS SHOWN SHARP.
  3. ALL UNSPECIFIED RADII 0.25 MAX.
  4. STANDARD COLORS FOR POLARIZATION (SEE CHART IN LEFT LOWER CORNER OF THE DRAWING SHEET)
  5. REFER TO "SAE/USCAR 12 CONNECTOR DESIGN CRITERIA" FOR ADDITIONAL REQUIREMENTS.
  6. EXCEPT WHERE NOTED, DRAFT ON OUTSIDE SURFACES IS PERMISSIBLE WITHIN TOLERANCE.
  7. SYMBOL INDICATES DRAFT DIRECTION.
  8. FOR TERMINAL MATERIAL, DIMENSIONAL, AND OTHER REQUIREMENTS SEE EWCAP-001 TERMINAL 120-T002.
  9. TO CLAIM USCAR COMPLIANCE, PARTS PRODUCED TO THIS FOOTPRINT DRAWING MUST BE TESTED TO AND MEET THE REQUIREMENTS OF SAE/USCAR 2.
  10. SYMBOL DENOTES RECOMMENDED DIMENSIONS THAT MAY BE USED TO MONITOR PART QUALITY.
  11. WHEN USING SILVER PLATED TERMINALS, THE SILVER PLAING MUST STOP A MINIMUM OF 1mm FROM HEADER PLASTIC.

<p>120-U-008-2-A03 KEY A BLACK SCALE 2:1</p>	<p>120-U-008-2-B03 KEY B LT.GRAY SCALE 2:1</p>
<p>120-U-008-2-C03 KEY C DK.GRAY SCALE 2:1</p>	<p>120-U-008-2-D03 KEY D BLACK SCALE 2:1</p>

A				RELEASED		06-20-22		JWF		DP		
CHANGE SERIAL NUMBER		LET		REVISION RECORD				DATE		DWN		CHK

TOLERANCES (UNLESS OTHERWISE SPECIFIED)  
DIMENSIONS ARE IN MILLIMETERS  
ANGLES ± 0° 30'



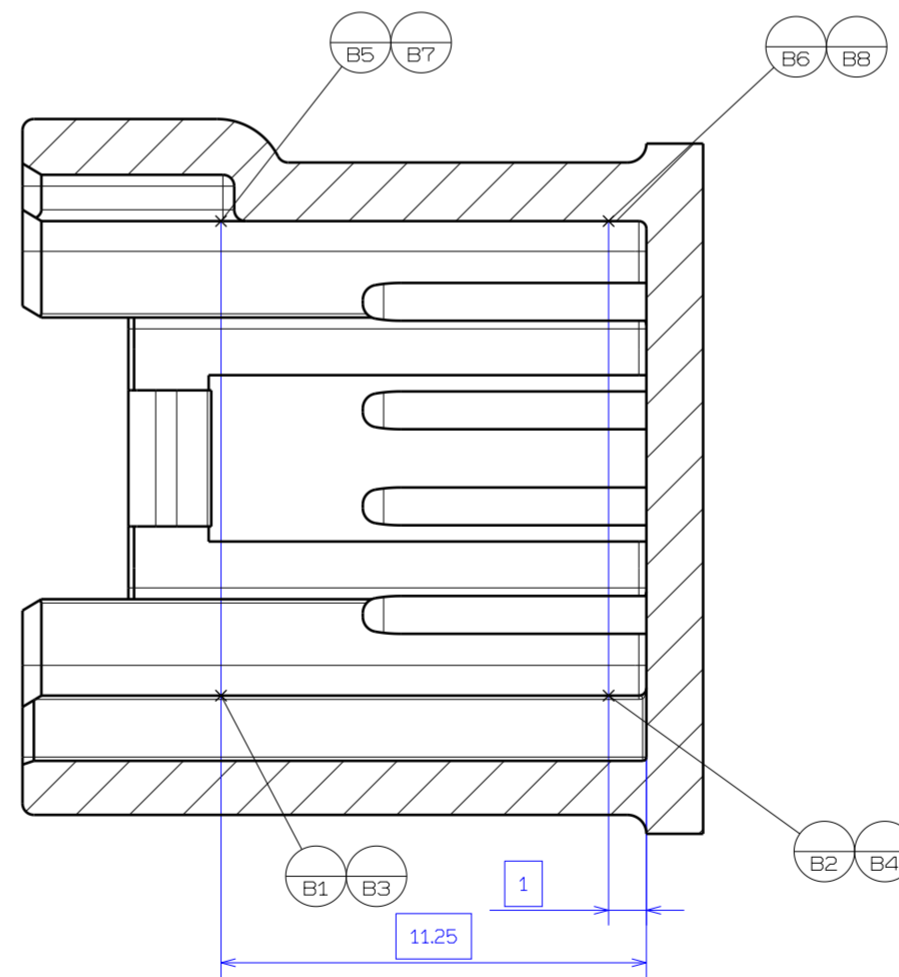
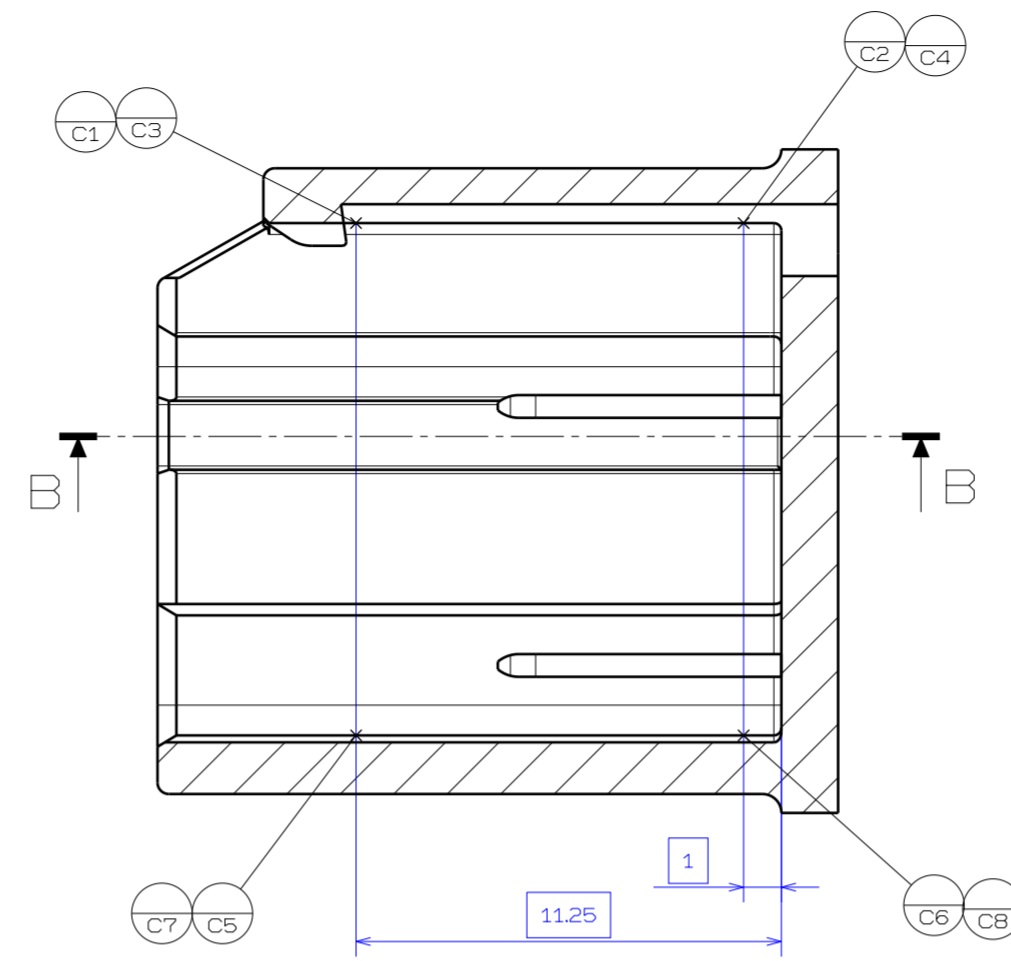
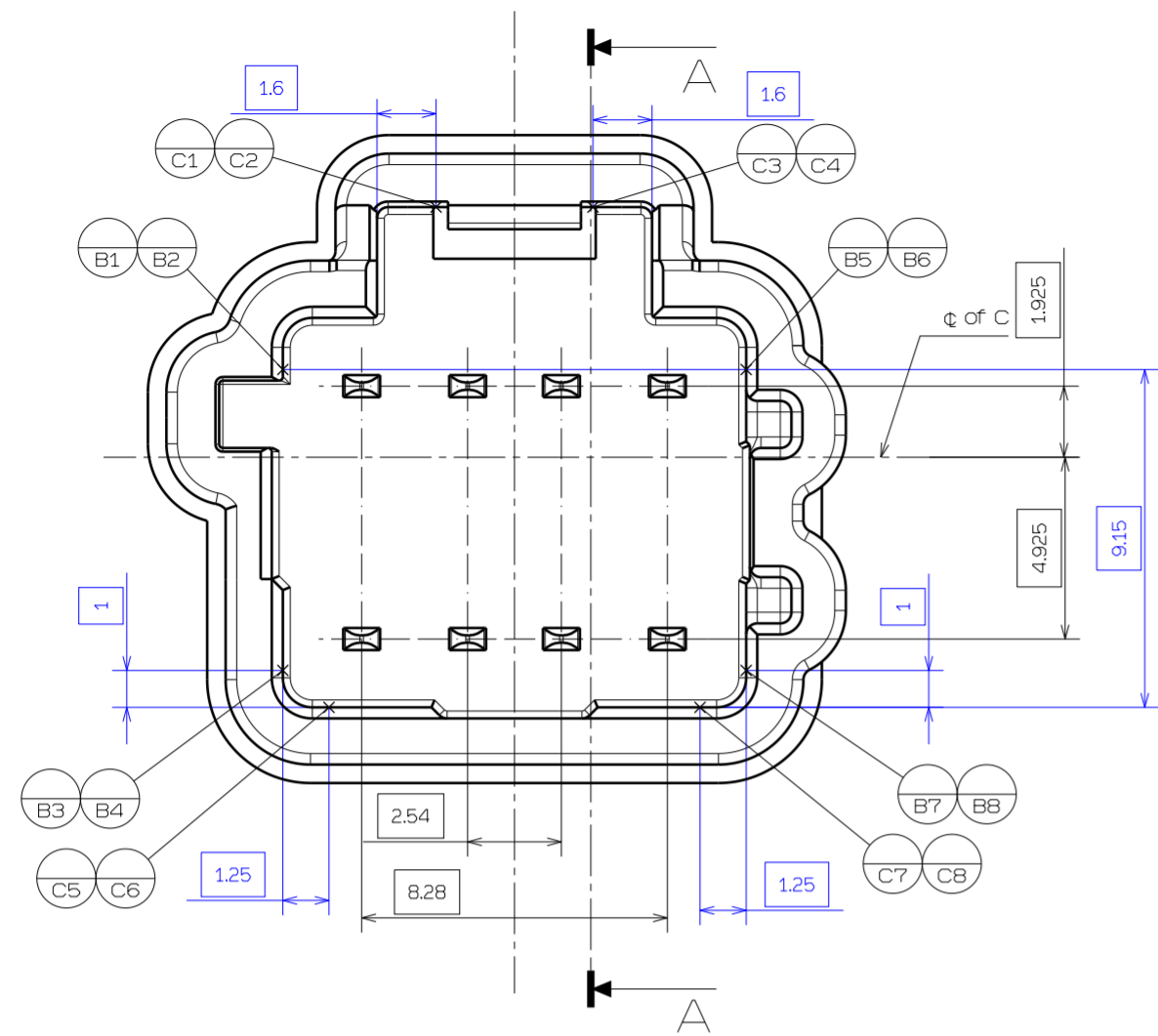
**USCAR-EWCAP**

SCALE 5:1 | DRAWN BY JAROD FISCHER | CHECKED BY DON PRICE | DATE 05-20-22

TITLE: 4 X 2 UNSEALED INTERFACE 1.20mm CONNECTORS

SHEET 1 OF 2	DRAWING NUMBER 120-U-008-2-Z03	SIZE A2	DO NOT SCALE DRAWING	REVISION LEVEL A
--------------	--------------------------------	---------	----------------------	------------------

**SUMITOMO ELECTRIC WIRING SYSTEMS, INC.**



SECTION A-A

SECTION B-B

TOLERANCES (UNLESS OTHERWISE SPECIFIED)				THIRD ANGLE PROJECTION
DIMENSIONS ARE IN MILLIMETERS				
ANGLES ± 0° 30'				
<b>USCAR-EWCAP</b>				
SCALE	DRAWN BY	CHECKED BY	DATE	
5:1	JAROD FISCHER	DON PRICE	05-20-22	
TITLE: 4 X 2 UNSEALED INTERFACE 1.20mm CONNECTORS				
SHEET	DRAWING NUMBER	SIZE	DO NOT SCALE DRAWING	REVISION LEVEL
2 OF 2	120-U-008-2-Z03	A2	COMPUTER AIDED DRAWING	A

**SUMITOMO ELECTRIC  
WIRING SYSTEMS, INC.**