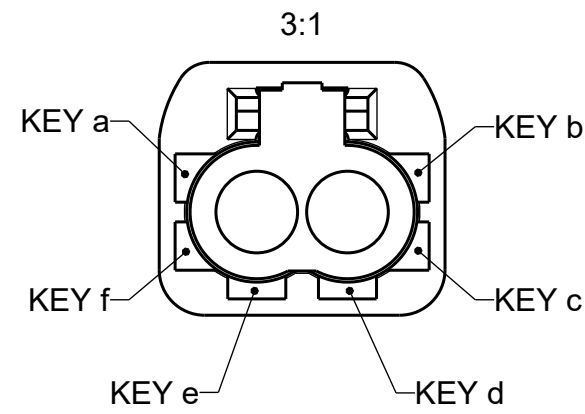
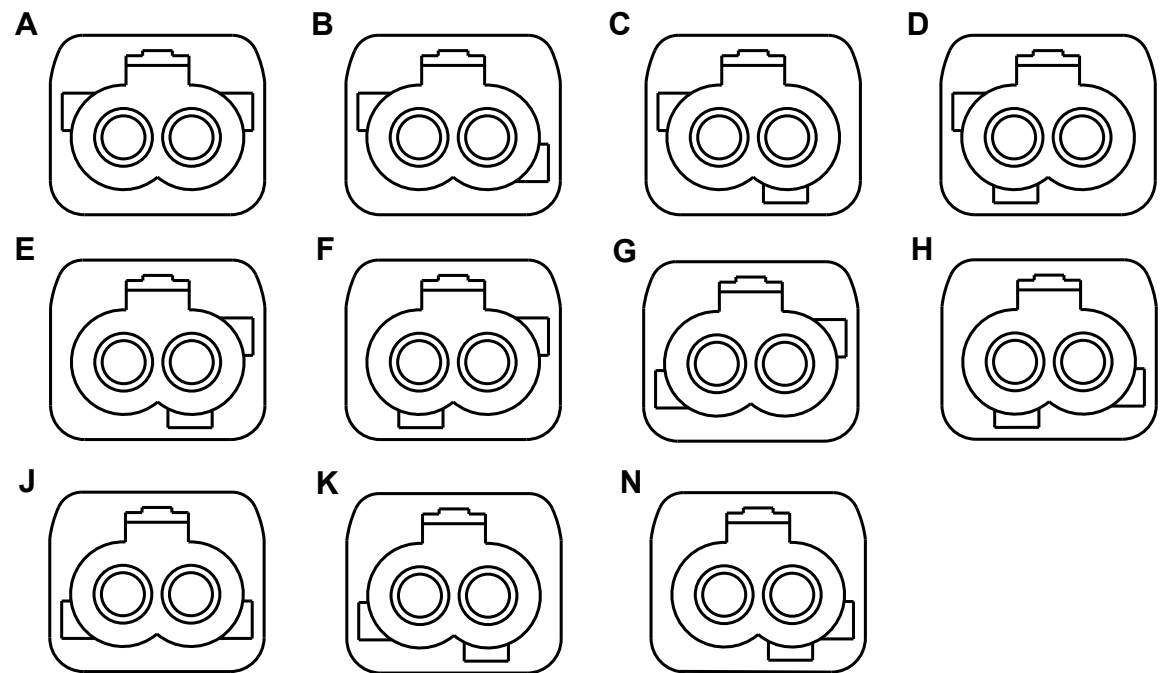
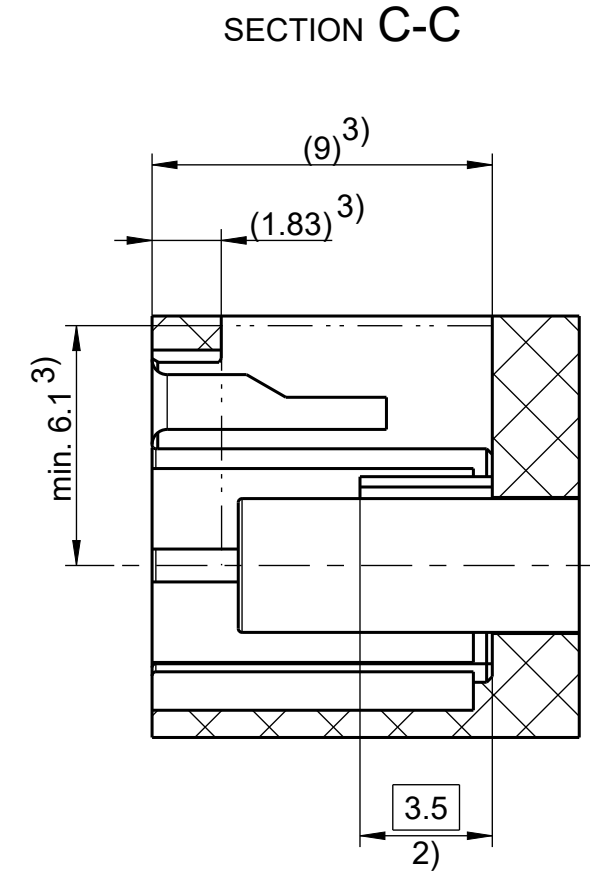
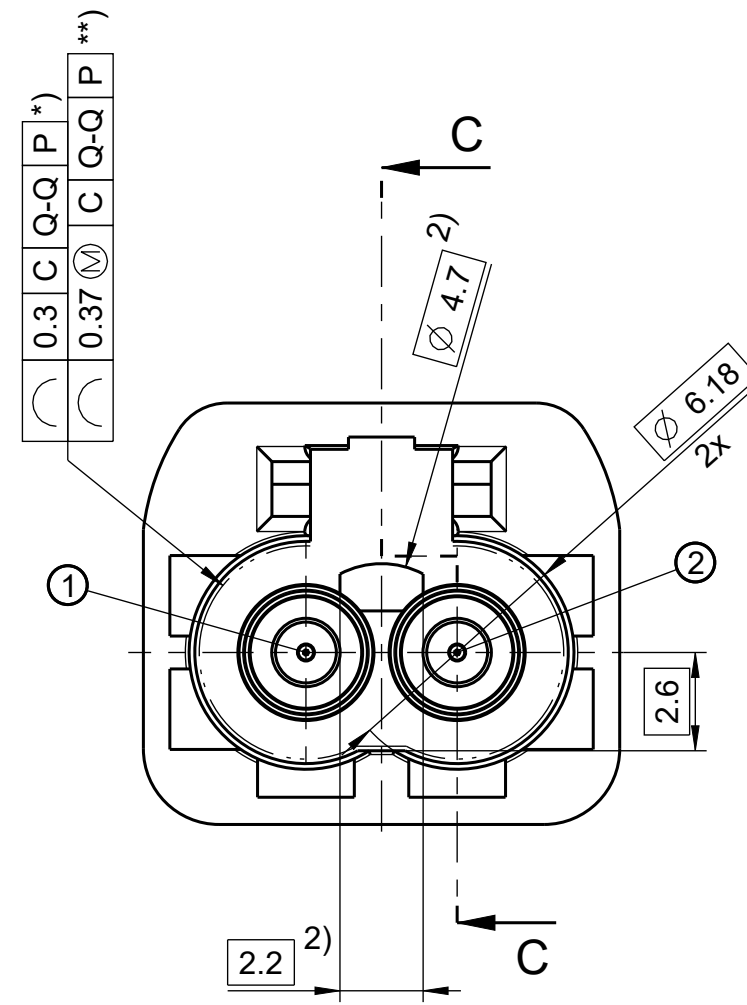
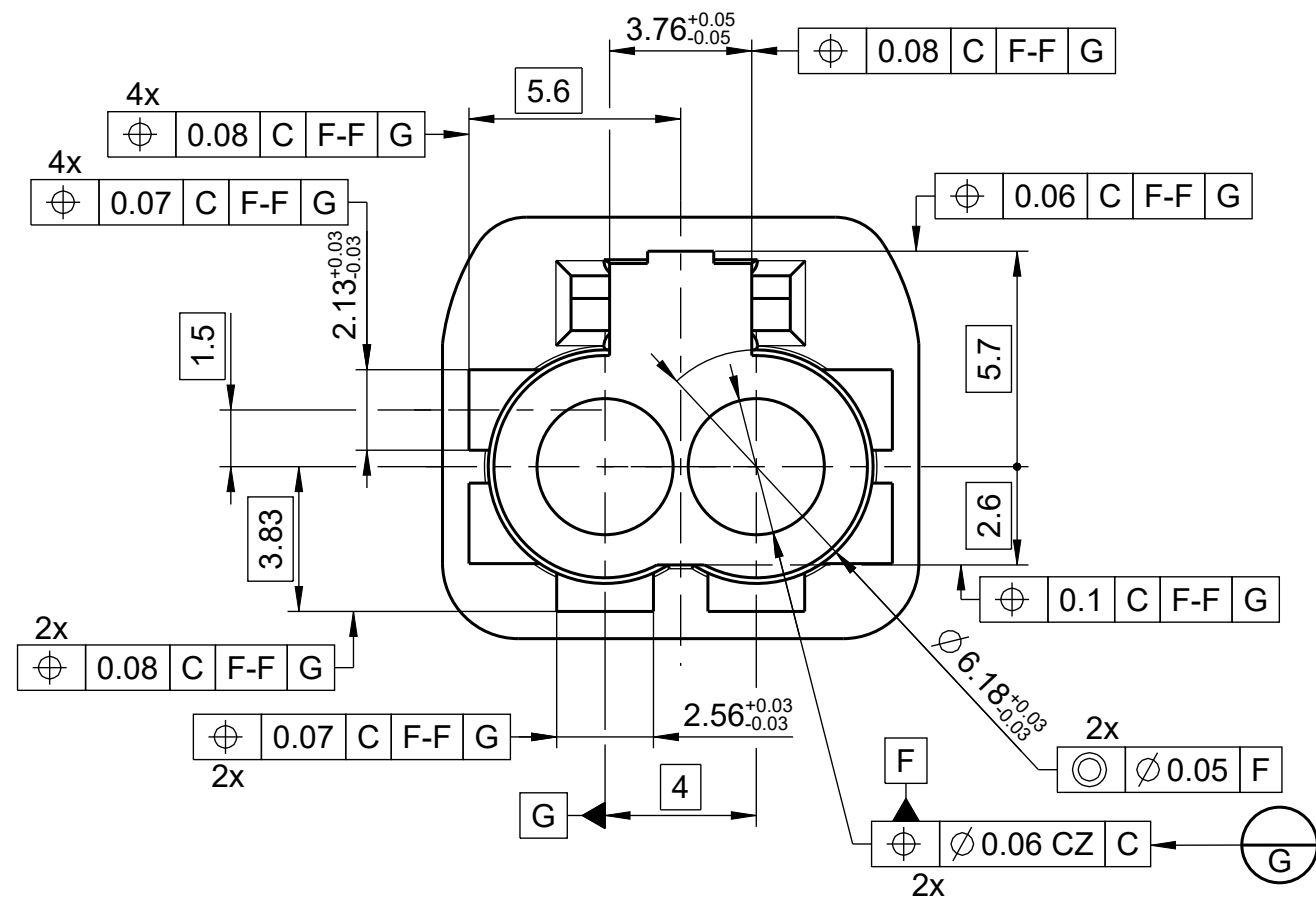


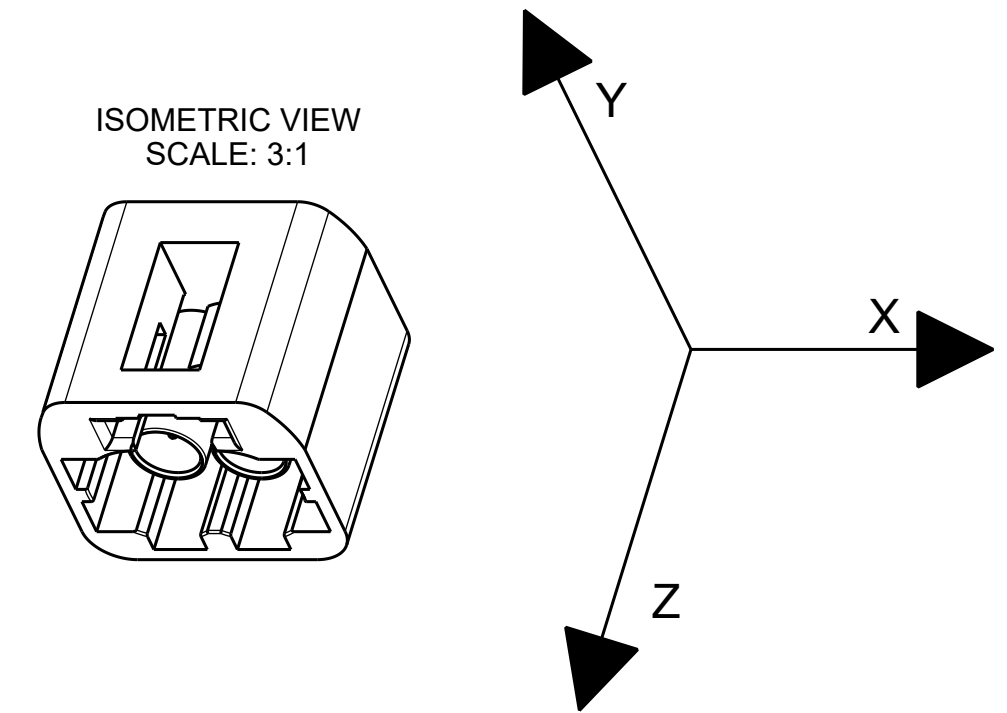


# CODING



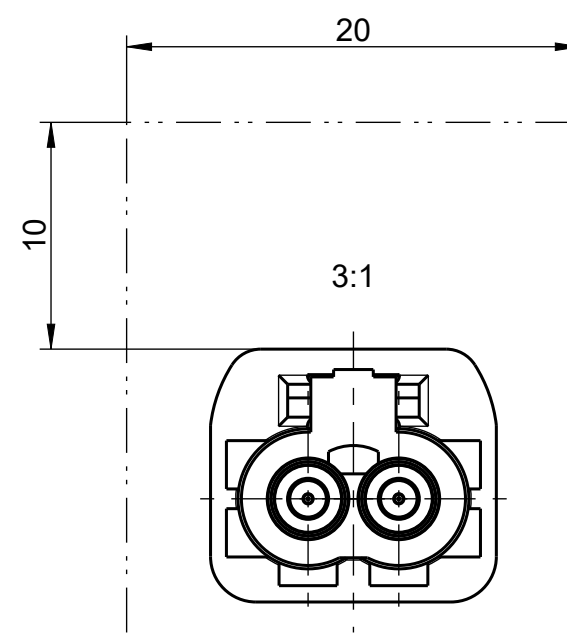
○ = NUMBER FOR PINNING

## Explanation of the Datum plane



- F-F -> Orientation of the housing in the Z-direction on the XY plane, position of the outer conductor
- B -> Limitation of the rotation about the Z-axis
- C -> Front surface
- D -> Outer conductor is reference for inner conductor

## REQUIRED SPACE FOR ACTUATION



EWCAP REF #	CODE	KEY	COLOR	SIMILAR RAL-NO
888-U-002-1-N02	N	c-d	PASTEL GREEN	6019
888-U-002-1-K02	K	d-f	CURRY	1027
888-U-002-1-J02	J	c-f	BEIGE	1001
888-U-002-1-H02	H	c-e	LIGHT PINK	3015
888-U-002-1-G02	G	b-f	PLATINUM GREY	7036
888-U-002-1-F02	F	b-e	NUT BROWN	8011
888-U-002-1-E02	E	b-d	MAY GREEN	6017
888-U-002-1-D02	D	a-e	CLARET VIOLET	4004
888-U-002-1-C02	C	a-d	LIGHT BLUE	5012
888-U-002-1-B02	B	a-c	PURE WHITE	9010
888-U-002-1-A02	A	a-b	JET BLACK	9005

**Rosenberger**  
D-84526 Tittmonig  
Germany

TOLERANCES (UNLESS OTHERWISE SPECIFIED)				THIRD ANGLE PROJECTION
DIMENSIONS ARE IN MILLIMETERS				
DIMENSIONING AND TOLERANCE IN ACCORDANCE WITH ASME Y14.5-2009				
<b>USCAR-EWCAP</b>				
SCALE	DRAWN BY	CHECKED BY	DATE	
5:1	S. STROM	C. SCHMIDT	03/11/22	
TITLE				
<b>HIGH SPEED MINI DOUBLE-INTERFACE. COAX CONNECTOR. 50 OHM.</b>				
SHEET	DRAWING NUMBER	SIZE	DO NOT SCALE DRAWING	REVISION LEVEL
2 of 3	888-U-002-1-Z02	A2	COMPUTER AIDED DRAWING	A

NOTICE

EWCAP HAS SELECTED COMMON DIMENSIONS FOR THE CONNECTOR(S) DEPICTED AND DESCRIBED HEREIN (LISTED BELOW). FURTHER, EWCAP HAS SELECTED FOR PUBLICATION THIS DRAWING (AND ITS COMPANION ELECTRONIC MODEL) PREPARED BY ROSENBERGER AS REPRESENTATIVE OF A CONNECTOR HAVING THESE DIMENSIONS. IN EXCHANGE FOR THE CONSIDERATION OF THE SELECTION OF THIS DRAWING FOR PUBLICATION (INCLUDING POSTING ON EWCAP'S WEB SITE) AND OTHER GOOD AND VALUABLE CONSIDERATION FLOWING FROM THIS SECTION, ROSENBERGER HEREBY AGREES ON BEHALF OF ITSELF AND ITS SUCCESSORS AND ASSIGNS, WITH RESPECT TO ANY COPYRIGHTS IT MAY HAVE IN THIS DRAWING AS WELL AS ANY PATENT RIGHTS IT MAY HAVE IN THE CONNECTOR ILLUSTRATED IN THIS DRAWING, NOT TO ENFORCE SUCH COPYRIGHTS AND PATENTS AGAINST ANY PERSON OR ENTITY ON ACCOUNT OF THEIR ACTIVITIES TO MAKE, HAVE MADE, USE AND SELL THE CONNECTOR ILLUSTRATED IN THIS DRAWING FOR VEHICULAR APPLICATIONS. THE TERM "CONNECTOR" AS USED IN THIS PARAGRAPH IS LIMITED SOLELY TO THE STRUCTURE SPECIFICALLY ILLUSTRATED IN THIS DRAWING.

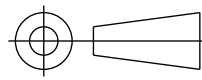
SIGNED M. ZEBHAUSER FOR ROSENBERGER. DATE: 03/11/22  
 NAME AND TITLE OF SIGNER: M. ZEBHAUSER

THE PERSON SIGNING THIS AGREEMENT REPRESENTS AND WARRANTS THAT (1) HE OR SHE IS DULY AUTHORIZED AND HAS LEGAL CAPACITY TO EXECUTE AND DELIVER AGREEMENT ON BEHALF OF ROSENBERGER, (2) THE EXECUTION AND DELIVERY OF THIS AGREEMENT AND THE PERFORMANCE OF ROSENBERGER PURSUANT TO THE TERMS OUTLINED ABOVE HAVE BEEN DULY AUTHORIZED AND THAT THIS AGREEMENT IS A VALID AND LEGAL AGREEMENT BINDING ON MARCH 11, 2022 AND ENFORCEMENT IN ACCORDANCE WITH ITS TERMS.

NO WARRANTIES OR INDEMNITIES OF ANY KIND ARE MADE OR IMPLIED BY ROSENBERGER OR EWCAP. IN PARTICULAR THERE ARE NO EXPRESS OR IMPLIED WARRANTIES OF FITNESS FOR A PARTICULAR PURPOSE, MERCHANTABILITY, NON-INFRINGEMENT OR ANY OTHER WARRANTY OF ANY KIND. IN ADDITION, THERE ARE NO EXPRESS OR IMPLIED WARRANTIES OR INDEMNITIES OF ANY KIND RELATING TO THIRD PARTY CLAIMS ARISING UNDER THE INTELLECTUAL PROPERTY LAWS OF ANY COUNTRY. ANYONE USING THE INFORMATION IN THIS DRAWING DOES SO AT THEIR OWN RISK.

APPLICABLE EWCAP DRAWING NUMBERS:  
 888-U-001-1-Z02

**Rosenberger**  
 D-84526 Tittmoning  
 Germany

TOLERANCES (UNLESS OTHERWISE SPECIFIED)		THIRD ANGLE PROJECTION	
DIMENSIONS ARE IN MILLIMETERS			
DIMENSIONING AND TOLERANCE IN ACCORDANCE WITH ASME Y14.5-2009			
<i>USCAR-EWCAP</i>			
SCALE ---	DRAWN BY S. STROM	CHECKED BY C. SCHMIDT	DATE 03/11/22
TITLE <b>HIGH SPEED MINI DOUBLE-INTERFACE. COAX CONNECTOR. 50 OHM.</b>			
SHEET 3 of 3	DRAWING NUMBER <b>888-U-002-1-Z02</b>	SIZE <b>A2</b>	REVISION LEVEL <b>A</b>
		DO NOT SCALE DRAWING COMPUTER AIDED DRAWING	