

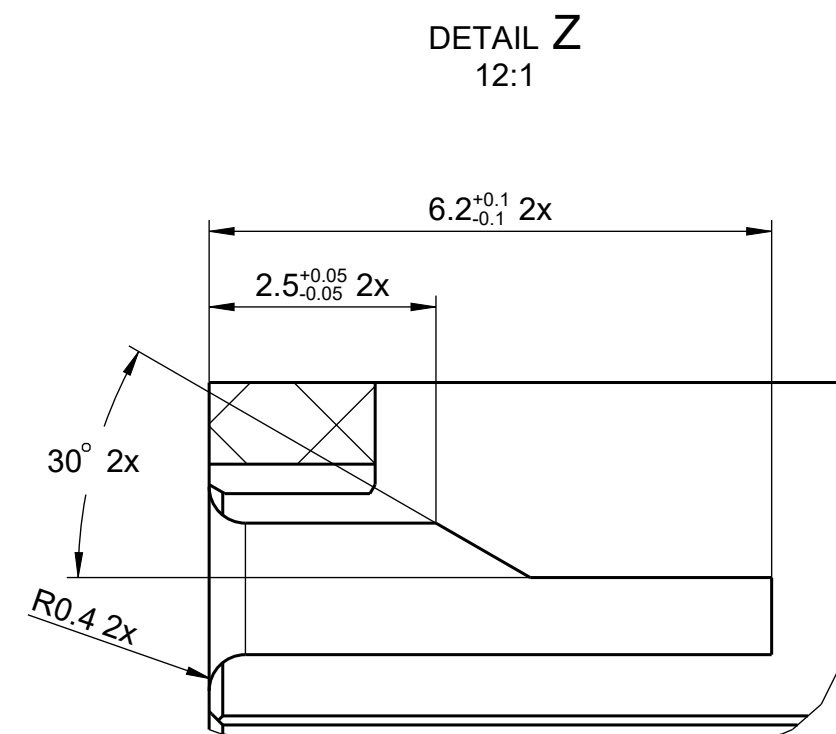
**NOTICE:**  
This drawing, or portions of it are controlled by the Electrical Wiring Components Application Partnership (EWCAP) a subgroup of the United States Council for Automotive Research LLC (USCAR LLC).

USCAR is an LLC consisting of members from FCA US LLC, Ford Motor Company and GM Corporation.

Any change to a EWCAP controlled portion of this drawing, including a revision record change must be approved, in writing, by the responsible EWCAP representative from each USCAR member company. Each EWCAP representative authorized to sign for his or her member company is responsible for obtaining all necessary approvals within that company prior to signing for the approval of the change.

EWCAP expressly prohibits any party from changing either any EWCAP controlled portion of this drawing or any associated tooling before receiving approval, signed by the authorized representatives, of the USCAR member companies. Reference to the signed change notice must be entered in the drawing control column.

\*) THE SPECIFIED DEVIATION APPLIES ONLY FOR PCB-PLUG, REFERRING TO MEASURING PLANE 1.  
\*\*) ONLY VALID FOR FLOATING OUTER CONTACT OF THE CABLE PLUG, REFERRING TO MEASURING PLANE 1.



**NOTES:**

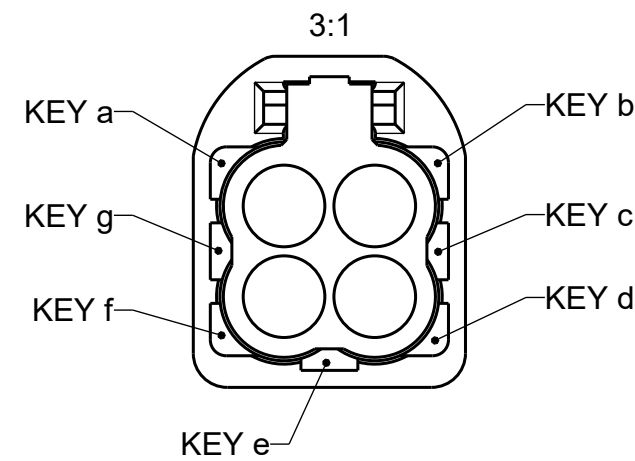
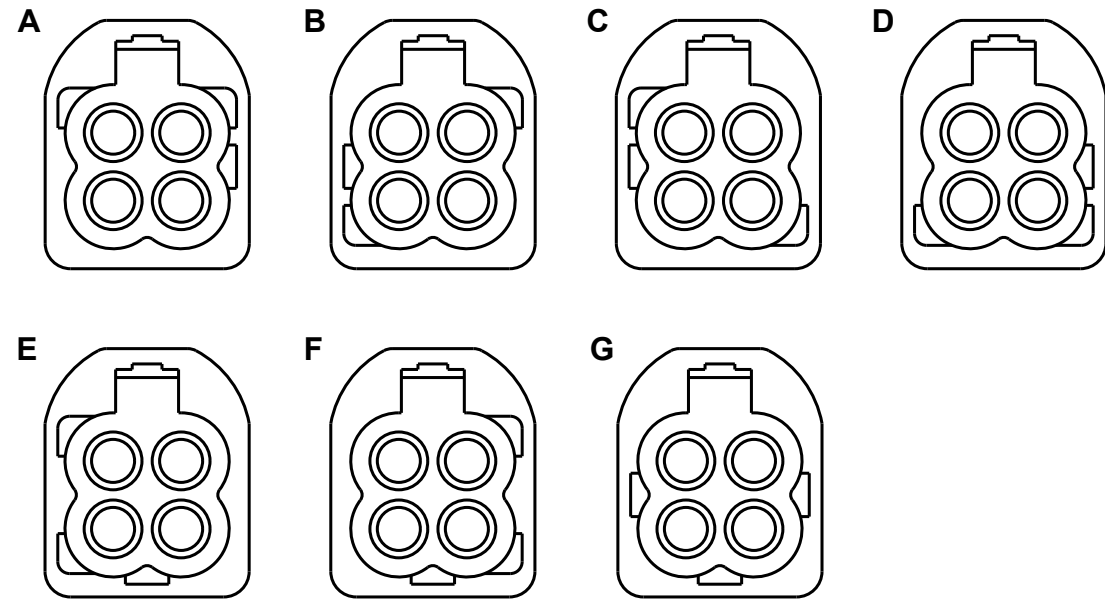
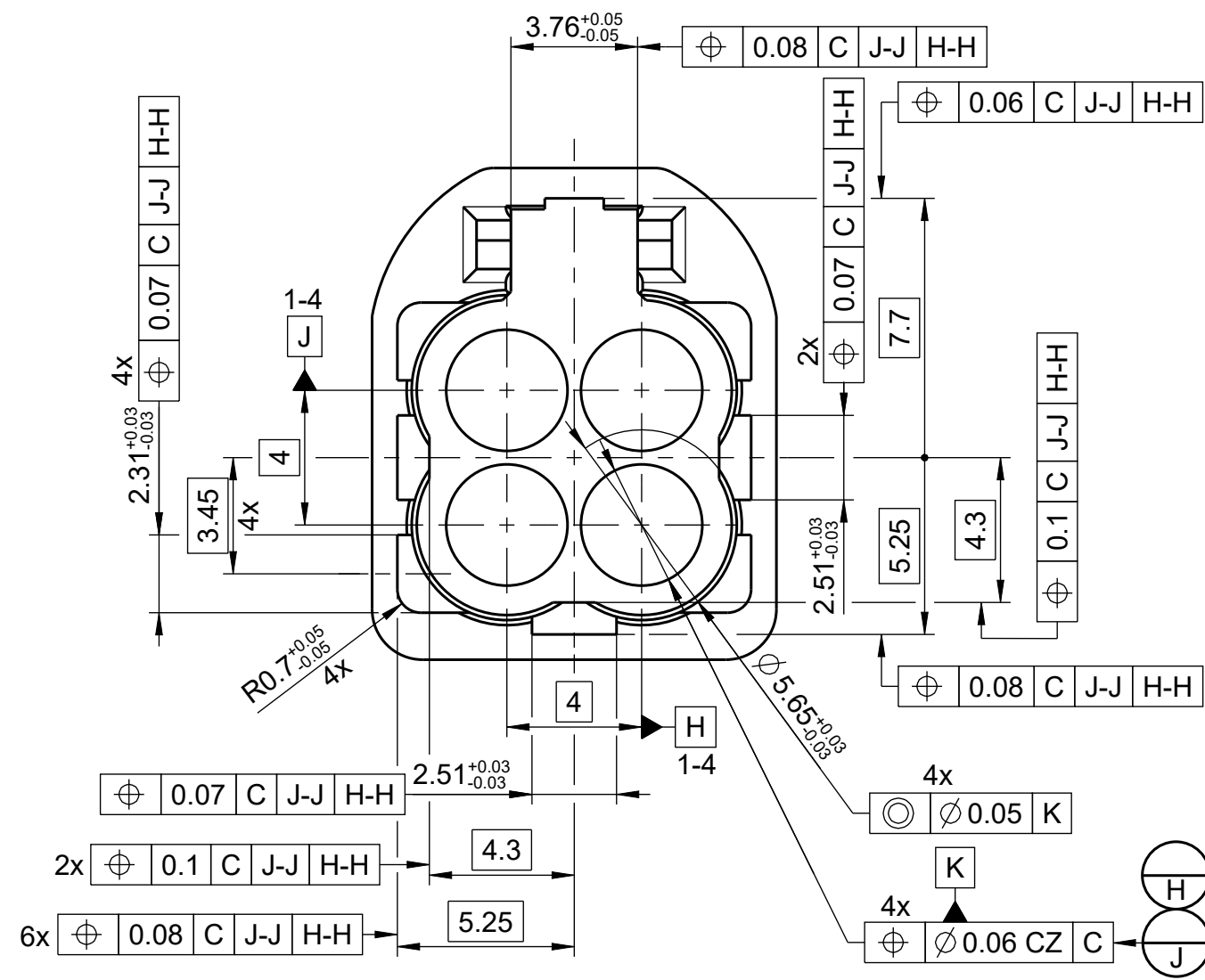
- 1) BASE DOCUMENT FOR THE CONTACT IS THE USCAR DRAWING: 888-U-001-1-Z02 (SHEET 1)
- 2) FREE SPACE FOR MATING PART

**Rosenberger**

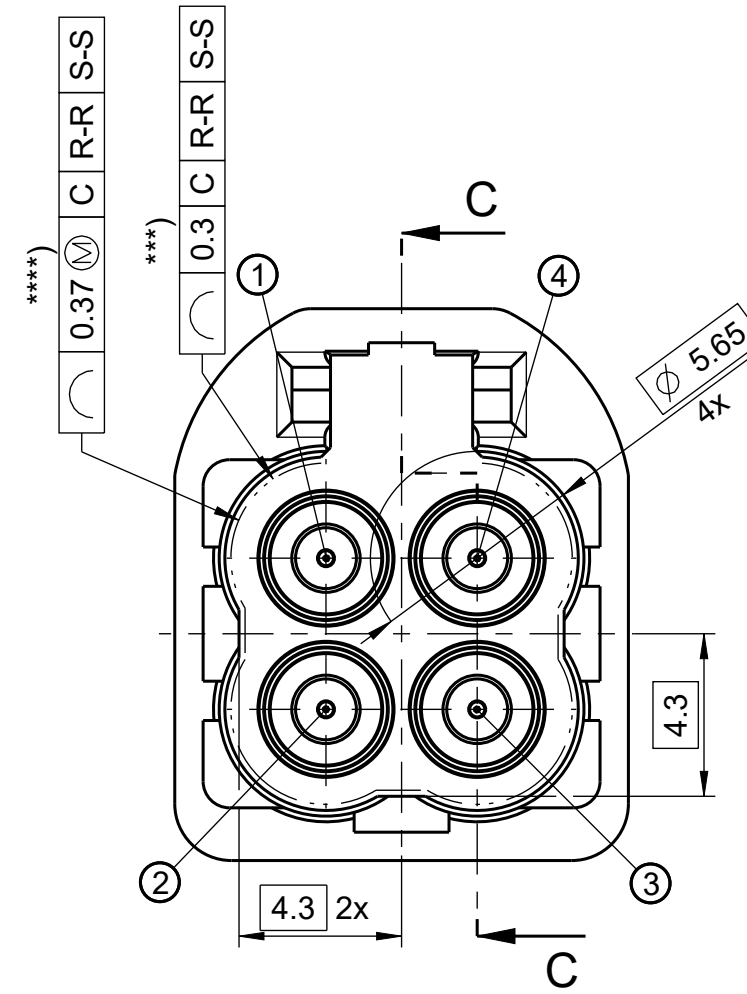
D-84526 Tittmoning  
Germany

A				INITIAL RELEASE	04/28/21		
CHANGE SERIAL NUMBER	LET	REVISION RECORD		DATE	DWN	CHK	
TOLERANCES (UNLESS OTHERWISE SPECIFIED) DIMENSIONS ARE IN MILLIMETERS DIMENSIONING AND TOLERANCE IN ACCORDANCE WITH ASME Y14.5-2009						THIRD ANGLE PROJECTION	
USCAR-EWCAP							
SCALE	6:1	DRAWN BY	S. STROM	CHECKED BY	C. SCHMIDT	DATE	04/28/21
TITLE	HIGH SPEED MINI QUADRUPLE-INTERFACE. COAX CONNECTOR. 50 OHM.						
SHEET	DRAWING NUMBER	SIZE	DO NOT SCALE DRAWING	COMPUTER AIDED DRAWING	REVISION LEVEL		
1 of 3	888-U-004-2-Z02	A2			A		

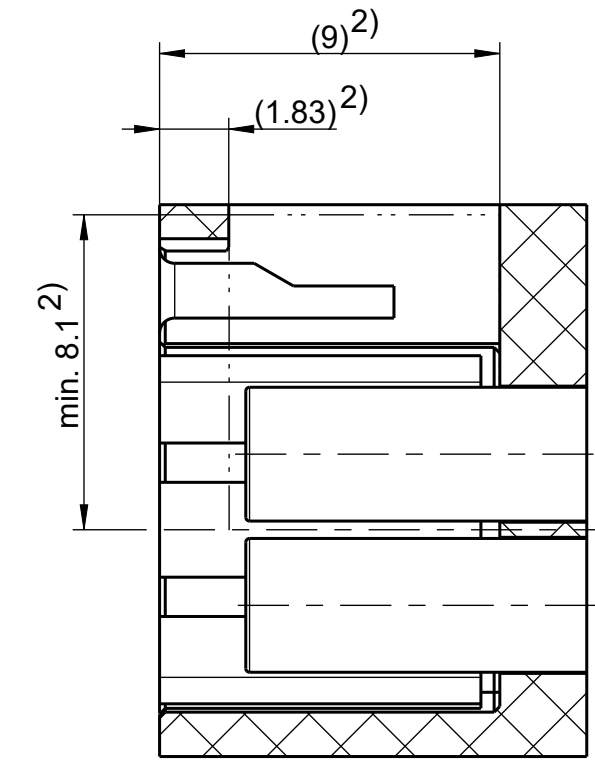
# CODING



EWCAP REF #	CODE	KEY	COLOR	SIMILAR RAL-NO
888-U-004-2-G02	<b>G</b>	c-e-g	PLATINUM GREY	7036
888-U-004-2-F02	<b>F</b>	b-d-e	NUT BROWN	8011
888-U-004-2-E02	<b>E</b>	a-e-f	MAY GREEN	6017
888-U-004-2-D02	<b>D</b>	c-d-f	CLARET VIOLET	4004
888-U-004-2-C02	<b>C</b>	a-d-g	LIGHT BLUE	5012
888-U-004-2-B02	<b>B</b>	b-f-g	PURE WHITE	9010
888-U-004-2-A02	<b>A</b>	a-b-c	JET BLACK	9005



## SECTION C-C



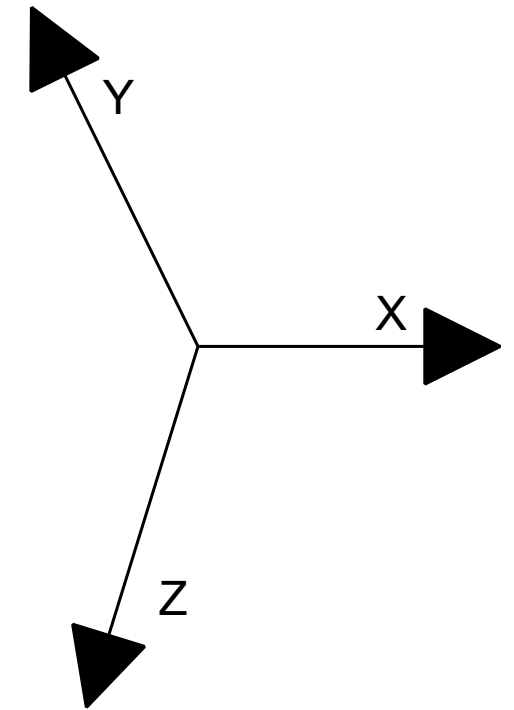
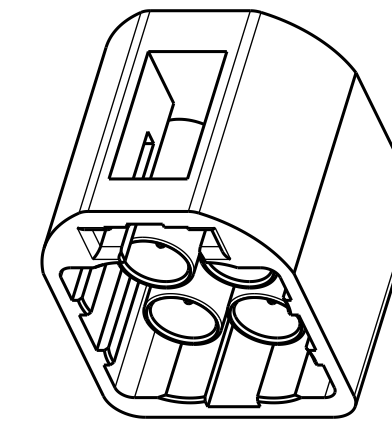
### Explanation of the Datum plane

○ = NUMBER FOR PINNING

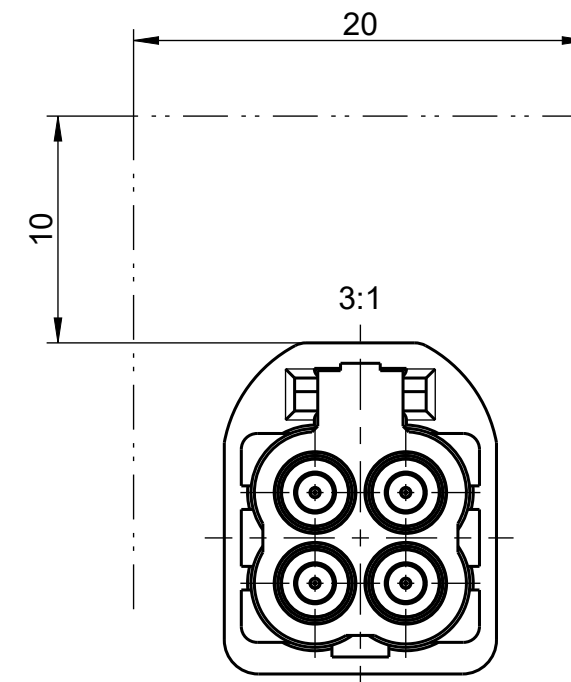
\*\*\* APPLIES ONLY FOR PCB-PLUG, REFERRING TO MEASURING PLANE 1.

\*\*\*\* APPLIES ONLY FOR FLOATING OUTER CONTACT OF THE CABLE PLUG, REFERRING TO MEASURING PLANE 1.

ISOMETRIC VIEW  
SCALE: 3:1



### REQUIRED SPACE FOR ACTUATION



- J-J** -> Orientation of the housing in the Z-direction on the XY plane, position of the outer conductor
- H-H** -> Limitation of the rotation about the Z-axis
- C** -> Front surface
- D** -> Outer conductor is reference for inner conductor

TOLERANCES (UNLESS OTHERWISE SPECIFIED)			THIRD ANGLE PROJECTION	
DIMENSIONS ARE IN MILLIMETERS				
DIMENSIONING AND TOLERANCE IN ACCORDANCE WITH ASME Y14.5-2009				
<b>USCAR-EWCAP</b>				
SCALE: 5:1	DRAWN BY: S. STROM	CHECKED BY: C. SCHMIDT	DATE: 04/28/21	
<b>TITLE</b> <b>HIGH SPEED MINI QUADRUPLE-INTERFACE.</b> <b>COAX CONNECTOR. 50 OHM.</b>				
SHEET: 2 of 3	DRAWING NUMBER: 888-U-004-2-Z02	SIZE: A2	DO NOT SCALE DRAWING COMPUTER AIDED DRAWING	REVISION LEVEL: A

**Rosenberger**  
D-84526 Tittmoning  
Germany

NOTICE

EWCAP HAS SELECTED COMMON DIMENSIONS FOR THE CONNECTOR(S) DEPICTED AND DESCRIBED HEREIN (LISTED BELOW). FURTHER, EWCAP HAS SELECTED FOR PUBLICATION THIS DRAWING (AND ITS COMPANION ELECTRONIC MODEL) PREPARED BY ROSENBERGER AS REPRESENTATIVE OF A CONNECTOR HAVING THESE DIMENSIONS. IN EXCHANGE FOR THE CONSIDERATION OF THE SELECTION OF THIS DRAWING FOR PUBLICATION (INCLUDING POSTING ON EWCAP'S WEB SITE) AND OTHER GOOD AND VALUABLE CONSIDERATION FLOWING FROM THIS SECTION, ROSENBERGER HEREBY AGREES ON BEHALF OF ITSELF AND ITS SUCCESSORS AND ASSIGNS, WITH RESPECT TO ANY COPYRIGHTS IT MAY HAVE IN THIS DRAWING AS WELL AS ANY PATENT RIGHTS IT MAY HAVE IN THE CONNECTOR ILLUSTRATED IN THIS DRAWING, NOT TO ENFORCE SUCH COPYRIGHTS AND PATENTS AGAINST ANY PERSON OR ENTITY ON ACCOUNT OF THEIR ACTIVITIES TO MAKE, HAVE MADE, USE AND SELL THE CONNECTOR ILLUSTRATED IN THIS DRAWING FOR VEHICULAR APPLICATIONS. THE TERM "CONNECTOR" AS USED IN THIS PARAGRAPH IS LIMITED SOLELY TO THE STRUCTURE SPECIFICALLY ILLUSTRATED IN THIS DRAWING.

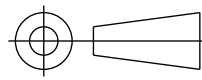
SIGNED M. ZEBHAUSER FOR ROSENBERGER. DATE: 04/28/21  
 NAME AND TITLE OF SIGNER: M. ZEBHAUSER

THE PERSON SIGNING THIS AGREEMENT REPRESENTS AND WARRANTS THAT (1) HE OR SHE IS DULY AUTHORIZED AND HAS LEGAL CAPACITY TO EXECUTE AND DELIVER AGREEMENT ON BEHALF OF ROSENBERGER, (2) THE EXECUTION AND DELIVERY OF THIS AGREEMENT AND THE PERFORMANCE OF ROSENBERGER PURSUANT TO THE TERMS OUTLINED ABOVE HAVE BEEN DULY AUTHORIZED AND THAT THIS AGREEMENT IS A VALID AND LEGAL AGREEMENT BINDING ON APRIL 28, 2021 AND ENFORCEMENT IN ACCORDANCE WITH ITS TERMS.

NO WARRANTIES OR INDEMNITIES OF ANY KIND ARE MADE OR IMPLIED BY ROSENBERGER OR EWCAP. IN PARTICULAR THERE ARE NO EXPRESS OR IMPLIED WARRANTIES OF FITNESS FOR A PARTICULAR PURPOSE, MERCHANTABILITY, NON-INFRINGEMENT OR ANY OTHER WARRANTY OF ANY KIND. IN ADDITION, THERE ARE NO EXPRESS OR IMPLIED WARRANTIES OR INDEMNITIES OF ANY KIND RELATING TO THIRD PARTY CLAIMS ARISING UNDER THE INTELLECTUAL PROPERTY LAWS OF ANY COUNTRY. ANYONE USING THE INFORMATION IN THIS DRAWING DOES SO AT THEIR OWN RISK.

APPLICABLE EWCAP DRAWING NUMBERS:  
 888-U-001-1-Z02

**Rosenberger**  
 D-84526 Tittmoning  
 Germany

TOLERANCES (UNLESS OTHERWISE SPECIFIED)		THIRD ANGLE PROJECTION	
DIMENSIONS ARE IN MILLIMETERS			
DIMENSIONING AND TOLERANCE IN ACCORDANCE WITH ASME Y14.5-2009			
<i>USCAR-EWCAP</i>			
SCALE ---	DRAWN BY S. STROM	CHECKED BY C. SCHMIDT	DATE 04/28/21
TITLE <b>HIGH SPEED MINI QUADRUPLE-INTERFACE. COAX CONNECTOR. 50 OHM.</b>			
SHEET 3 of 3	DRAWING NUMBER <b>888-U-004-2-Z02</b>	SIZE <b>A2</b>	REVISION LEVEL <b>A</b>
		DO NOT SCALE DRAWING COMPUTER AIDED DRAWING	