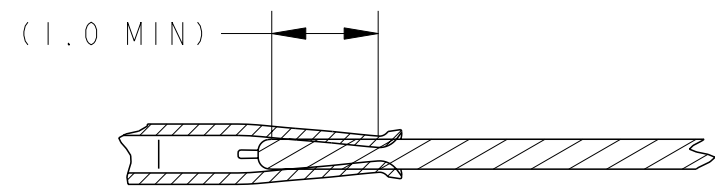
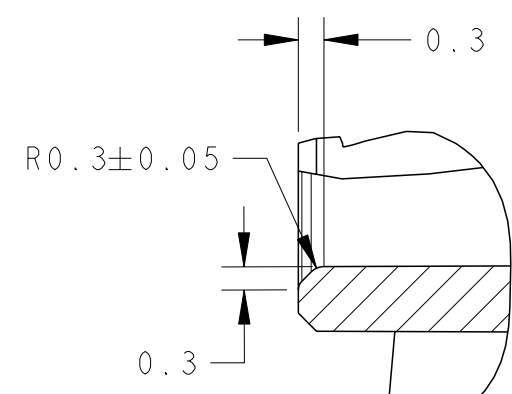


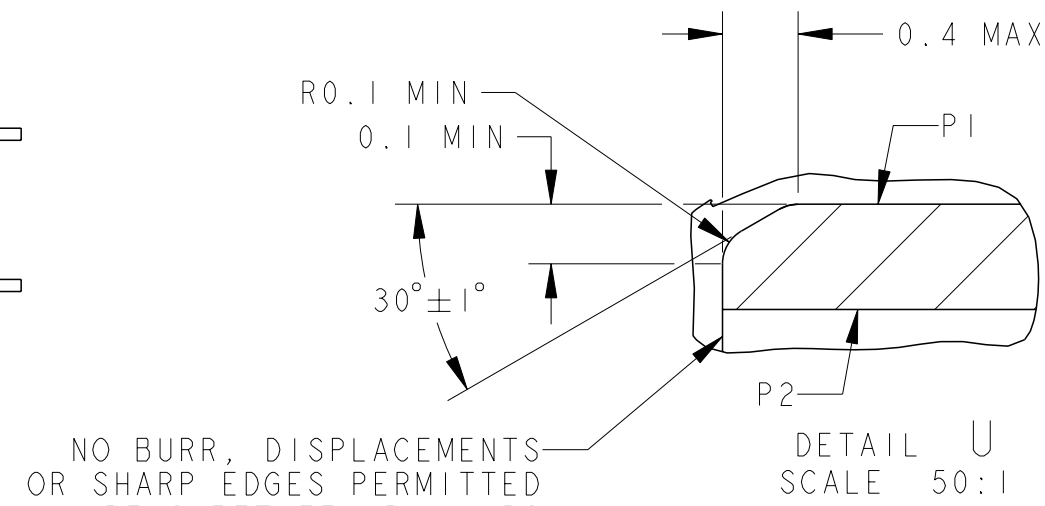
SECTION A-A
ALL CODINGS RIBS



SOCKET CONTACT - CONTACT WIPE
SCALE 10:1

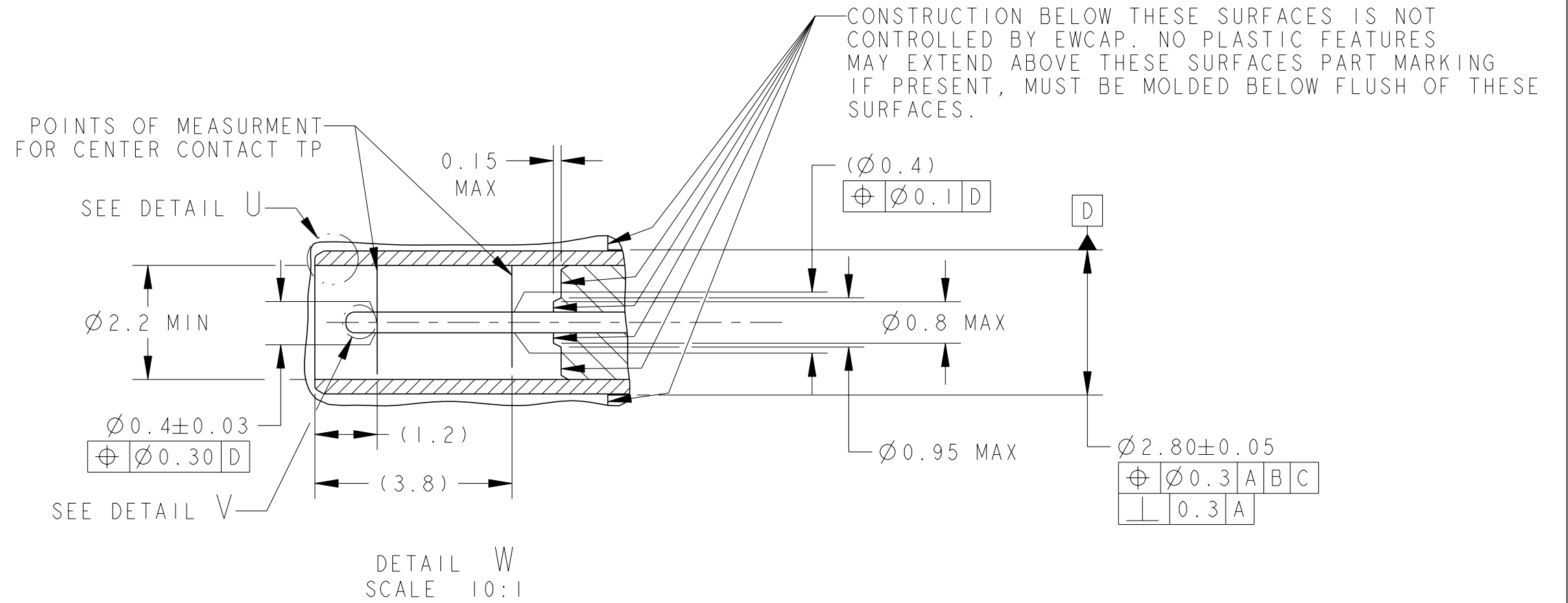


DETAIL X
SCALE 8:1

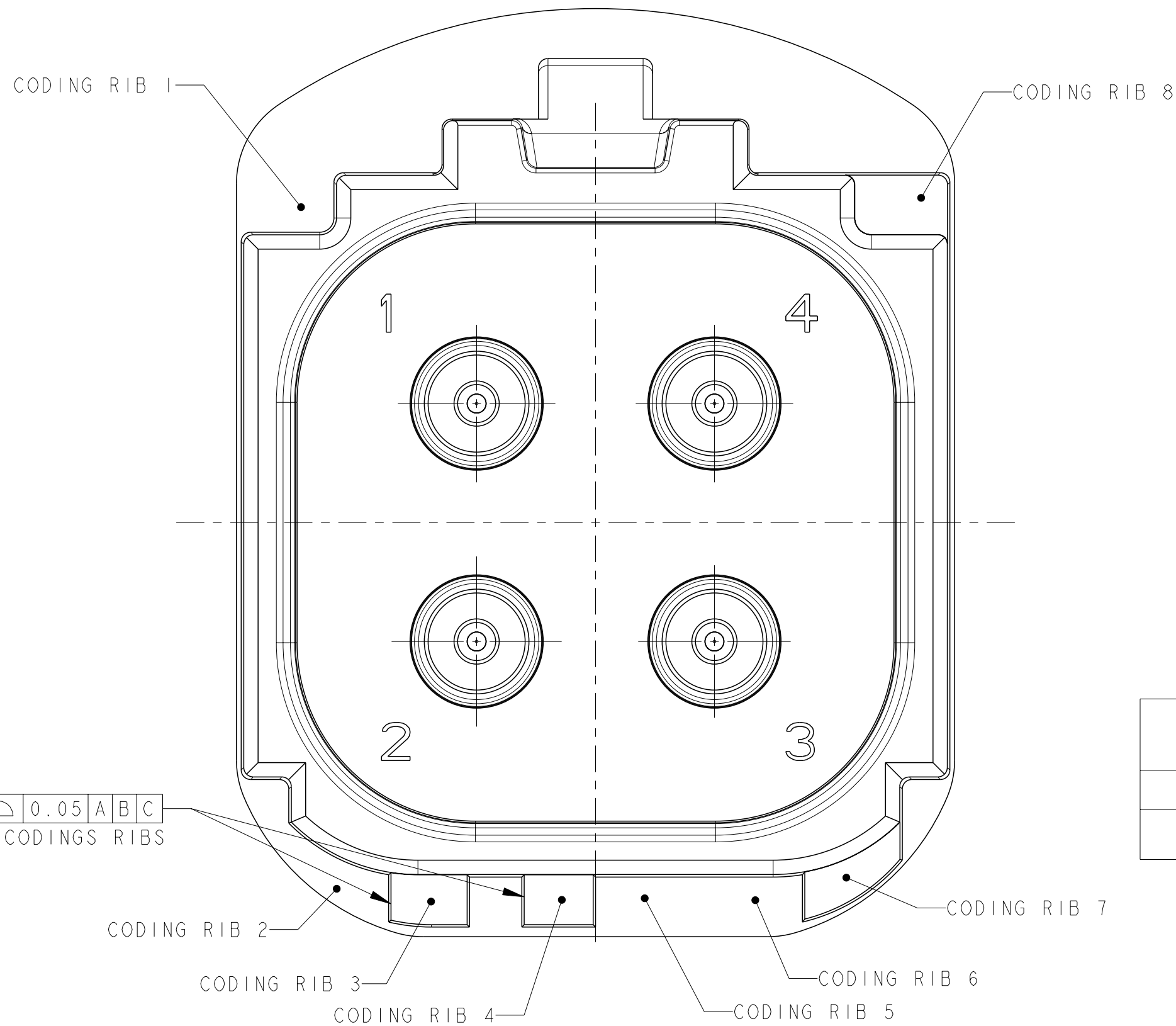


NO BURR, DISPLACEMENTS
OR SHARP EDGES PERMITTED
IN AREAS BETWEEN P1 ↔ P2

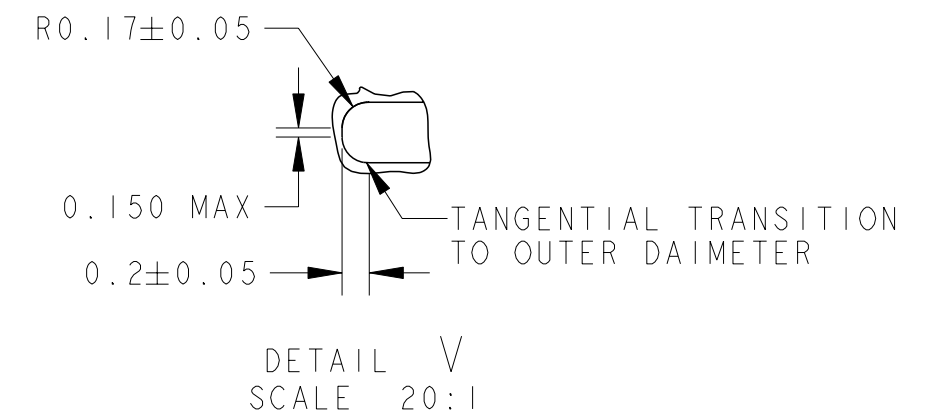
DETAIL U
SCALE 50:1



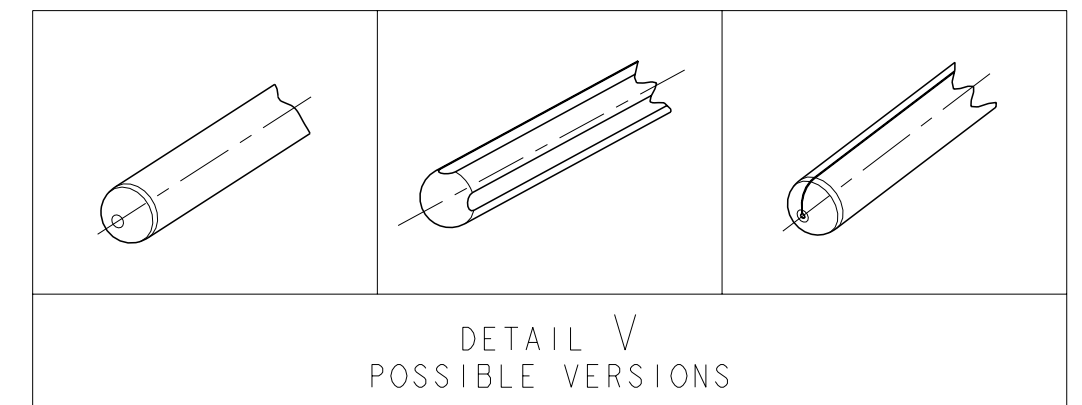
DETAIL W
SCALE 10:1



POLARIZATION CODING RIB LOCATIONS
SCALE 10:1
ALL CODINGS RIBS
(CODE "F" SHOWN FOR REFERENCE ONLY
SEE POLARIZATION CODING TABLE)



DETAIL V
SCALE 20:1



OPTION 1: 0.8µm MIN Sn OVER 1.0µm MIN Ni	OUTER CONTACT
OPTION 2: HOT DIPPED 0.8µm MIN Sn	OUTER CONTACT
2.0µm MIN Ag OVER 1.0µm MIN Ni	INNER CONTACT
PLATING OF CONTACT AREA	

TOLERANCES (UNLESS OTHERWISE SPECIFIED)		THIRD ANGLE PROJECTION	
DIMENSIONS ARE IN MILLIMETERS			
ANGLES ± 1°			
X.X ± 0.1		X.XX ± 0.05	

USCAR-EWCAP

SCALE 4:1	DRAWN BY MAHANTAGOUDA	CHECKED BY JOHN HALL	DATE 04-08-20
-----------	-----------------------	----------------------	---------------

TITLE
MINI COAX INTERFACE, SEALED, 4 POS



208-18106

SHEET 2 OF 3	DRAWING NUMBER 888-S-004-2-Z02	SIZE A2	DO NOT SCALE DRAWING	REVISION LEVEL 2
--------------	--------------------------------	---------	----------------------	------------------

**EWCAP LEGAL NOTICE
(REQUIRED ON ALL EWCAP DRAWINGS)
REVISION 7-18-2019**

NOTICE

EWCAP HAS SELECTED COMMON DIMENSIONS FOR THE CONNECTOR(S) DEPICTED AND DESCRIBED HEREIN (LISTED BELOW). FURTHER, EWCAP HAS SELECTED FOR PUBLICATION THIS DRAWING (AND ITS COMPANION ELECTRONIC MODEL) PREPARED BY TE CONNECTIVITY AS REPRESENTATIVE OF A CONNECTOR HAVING THESE DIMENSIONS. IN EXCHANGE FOR THE CONSIDERATION OF THE SELECTION OF THIS DRAWING FOR PUBLICATION (INCLUDING POSTING ON EWCAP'S WEB SITE) AND OTHER GOOD AND VALUABLE CONSIDERATION FLOWING FROM THIS SELECTION, TE CONNECTIVITY HEREBY AGREES ON BEHALF OF ITSELF AND ITS SUCCESSORS AND ASSIGNS, WITH RESPECT TO ANY COPYRIGHTS IT MAY HAVE IN THIS DRAWING AS WELL AS ANY PATENT RIGHTS IT MAY HAVE IN THE CONNECTOR ILLUSTRATED IN THIS DRAWING, NOT TO ENFORCE SUCH COPYRIGHTS AND PATENTS AGAINST ANY PERSON OR ENTITY ON ACCOUNT OF THEIR ACTIVITIES TO MAKE, HAVE MADE, USE AND SELL THE CONNECTOR ILLUSTRATED IN THIS DRAWING FOR VEHICULAR APPLICATIONS. THE TERM "CONNECTOR" AS USED IN THIS PARAGRAPH IS LIMITED SOLELY TO THE STRUCTURE SPECIFICALLY ILLUSTRATED IN THIS DRAWING. NO WARRANTIES OR INDEMNITIES OF ANY KIND ARE MADE OR IMPLIED BY TE CONNECTIVITY OR EWCAP. IN PARTICULAR THERE ARE NO EXPRESS OR IMPLIED WARRANTIES OF FITNESS FOR A PARTICULAR PURPOSE, MERCHANTABILITY, NON-INFRINGEMENT OR ANY OTHER WARRANTY OF ANY KIND. IN ADDITION, THERE ARE NO EXPRESS OR IMPLIED WARRANTIES OR INDEMNITIES OF ANY KIND RELATING TO THIRD PARTY CLAIMS ARISING UNDER THE INTELLECTUAL PROPERTY LAWS OF ANY COUNTRY. ANYONE USING THE INFORMATION IN THIS DRAWING DOES SO AT THEIR OWN RISK.

APPLICABLE EWCAP DRAWING NUMBERS:

888-S-004-2-Z02

TOLERANCES (UNLESS OTHERWISE SPECIFIED)			THIRD ANGLE PROJECTION	
DIMENSIONS ARE IN MILLIMETERS				
ANGLES $\pm 1^\circ$				
X.X ± 0.1		X.XX ± 0.05		
<i>USCAR-EWCAP</i>				
SCALE	5:1	DRAWN BY	MAHANTAGOUDA	CHECKED BY
			JOHN HALL	DATE
				04-08-20
TITLE				
MINI COAX INTERFACE, SEALED, 4 POS				
SHEET	3 OF 3	DRAWING NUMBER	888-S-004-2-Z02	SIZE
				A2
DO NOT SCALE DRAWING			COMPUTER AIDED DRAWING	REVISION LEVEL
				2



208-18106