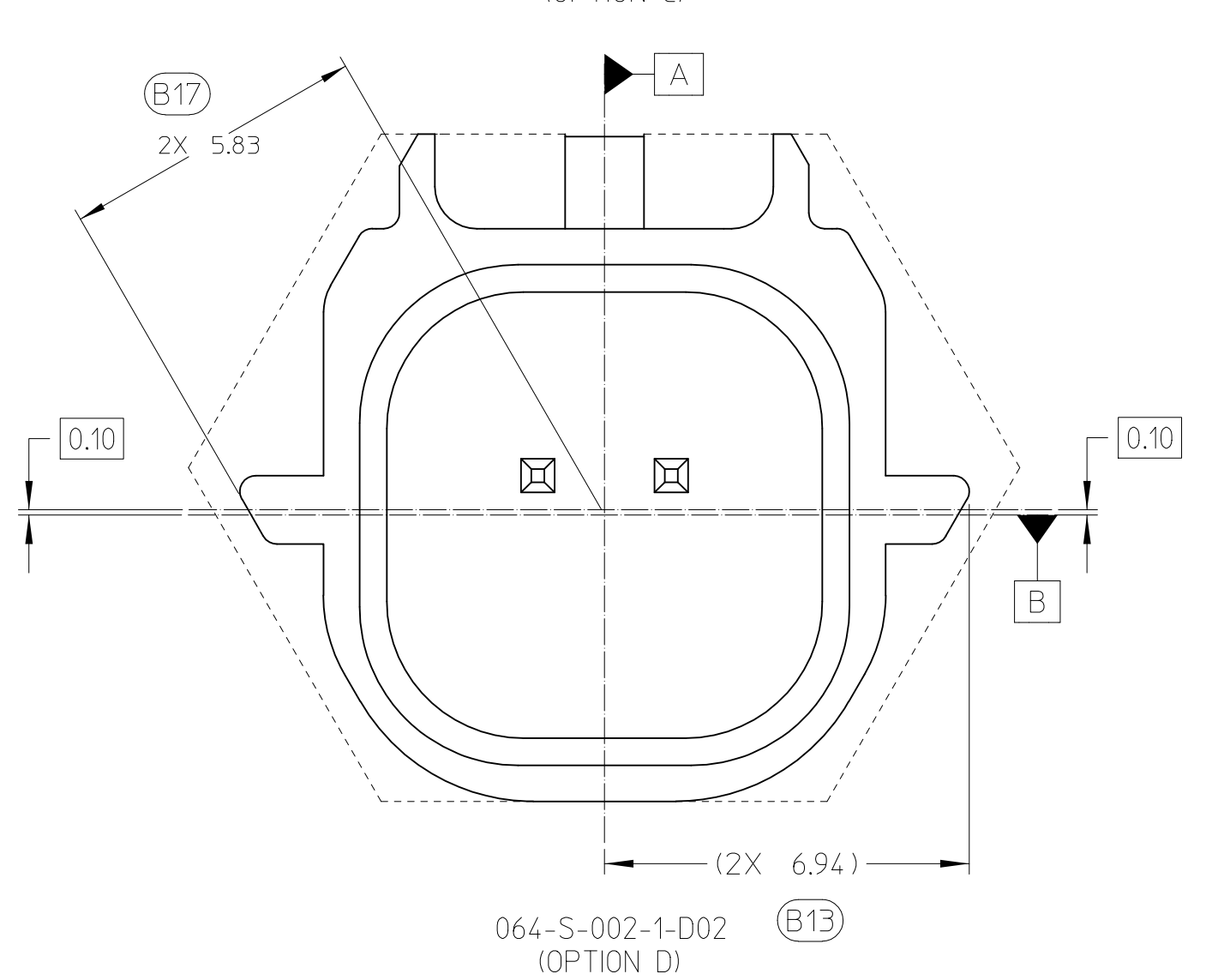
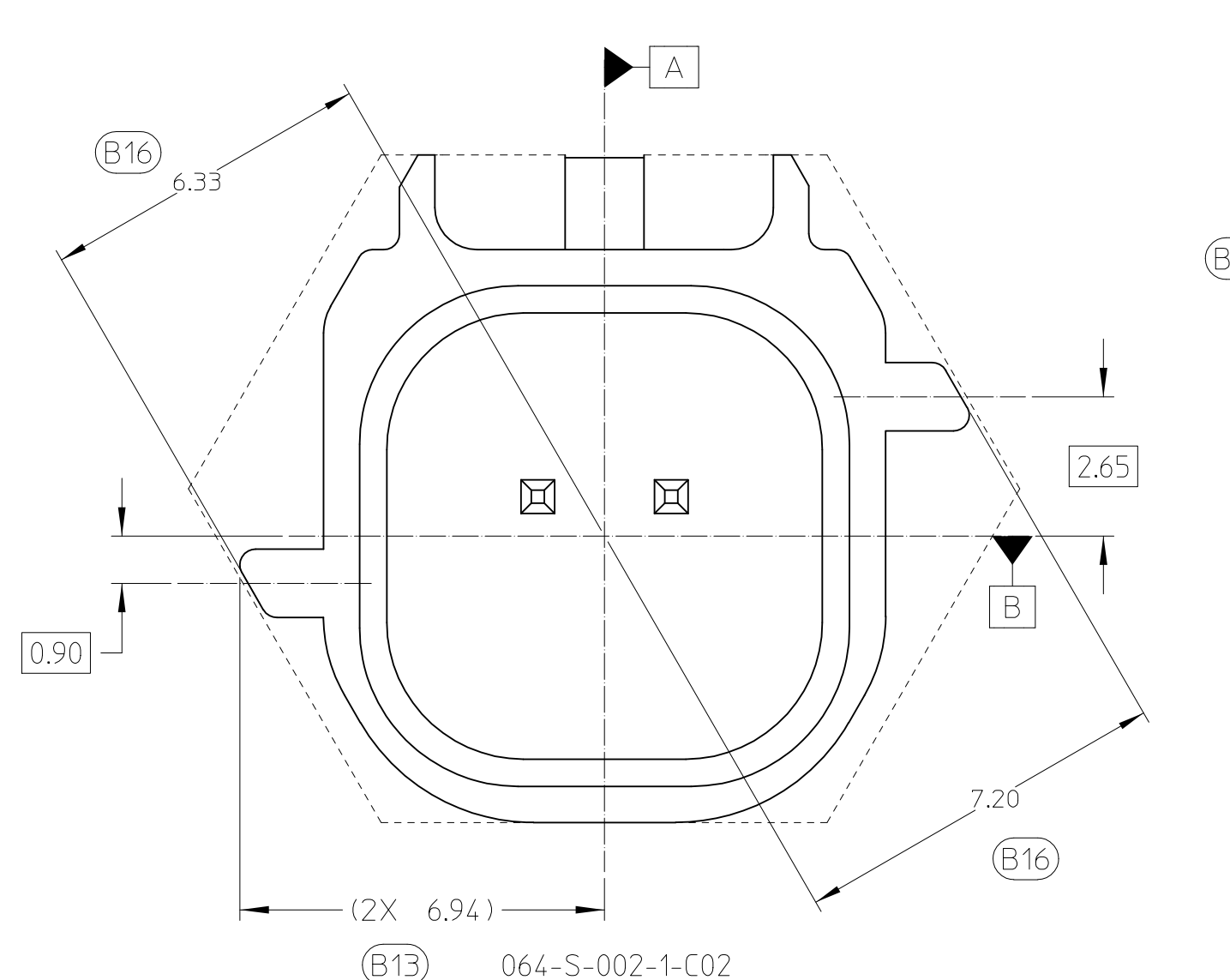
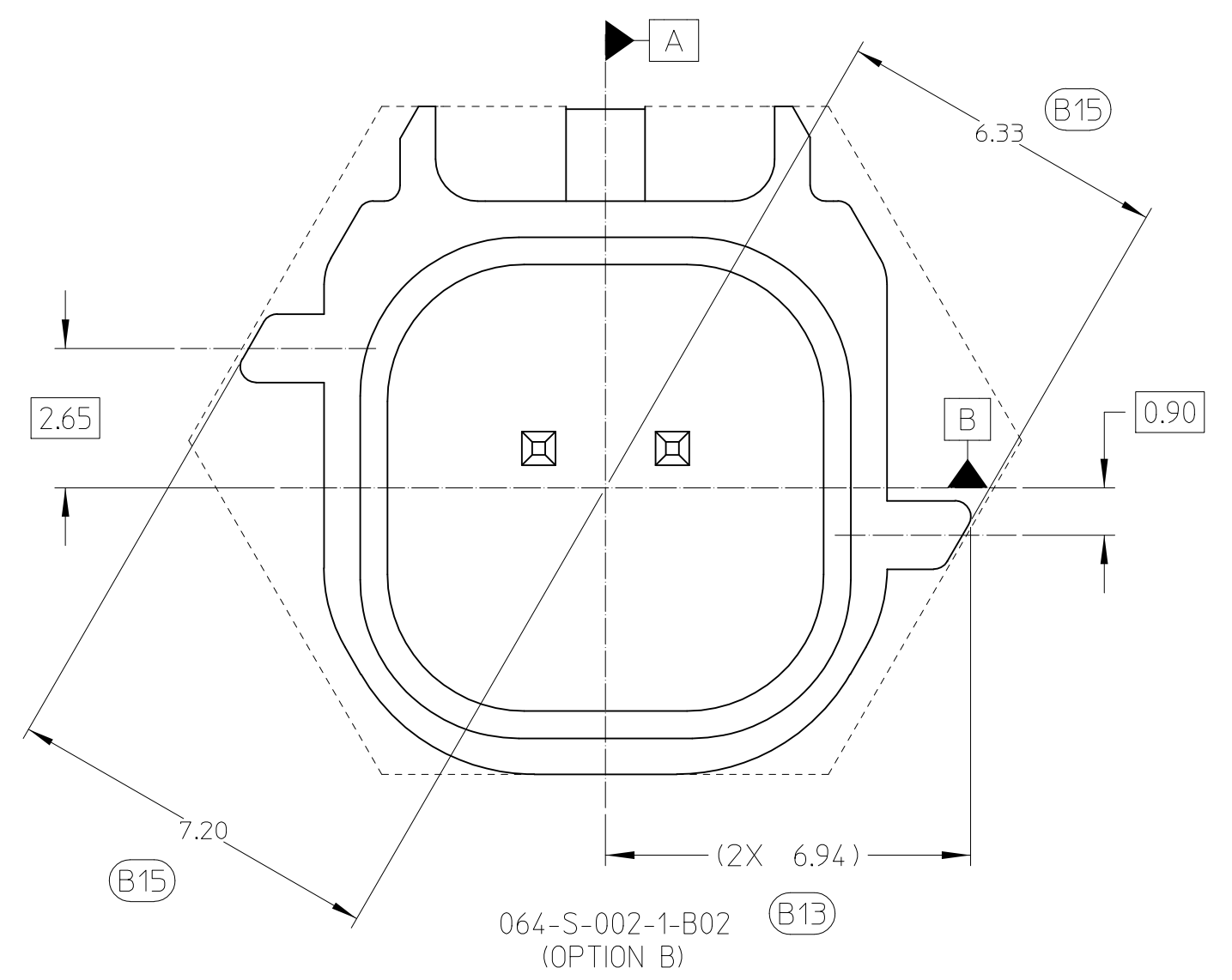
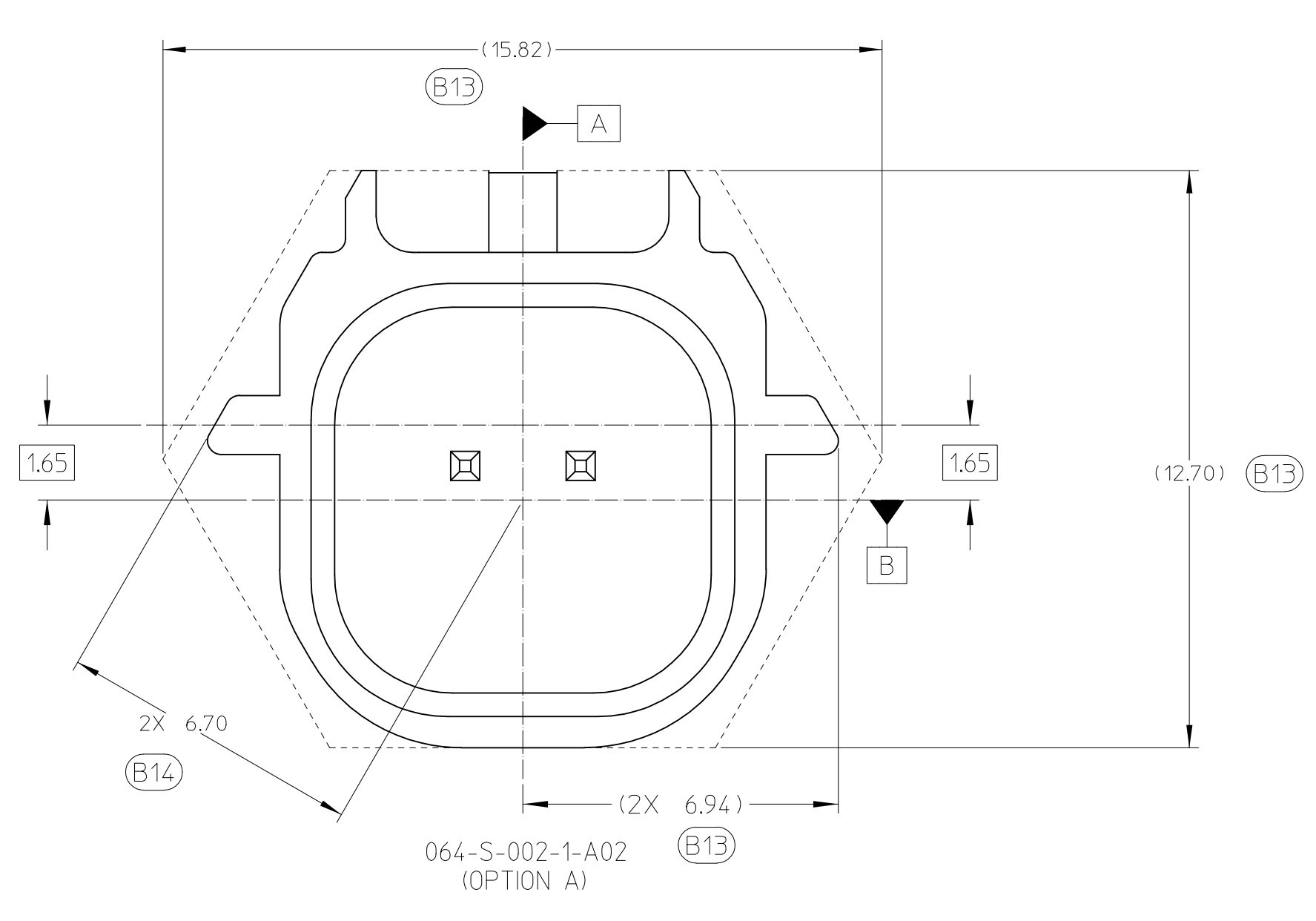
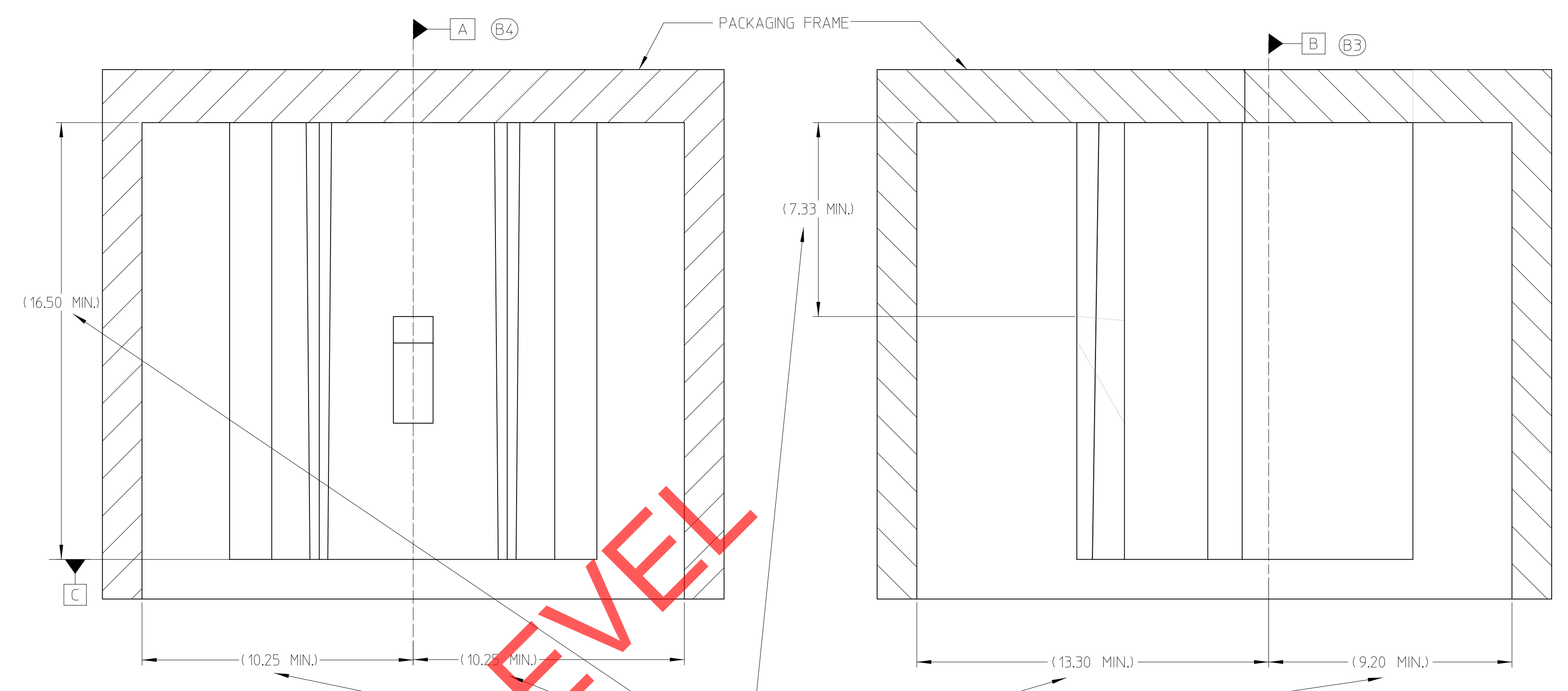
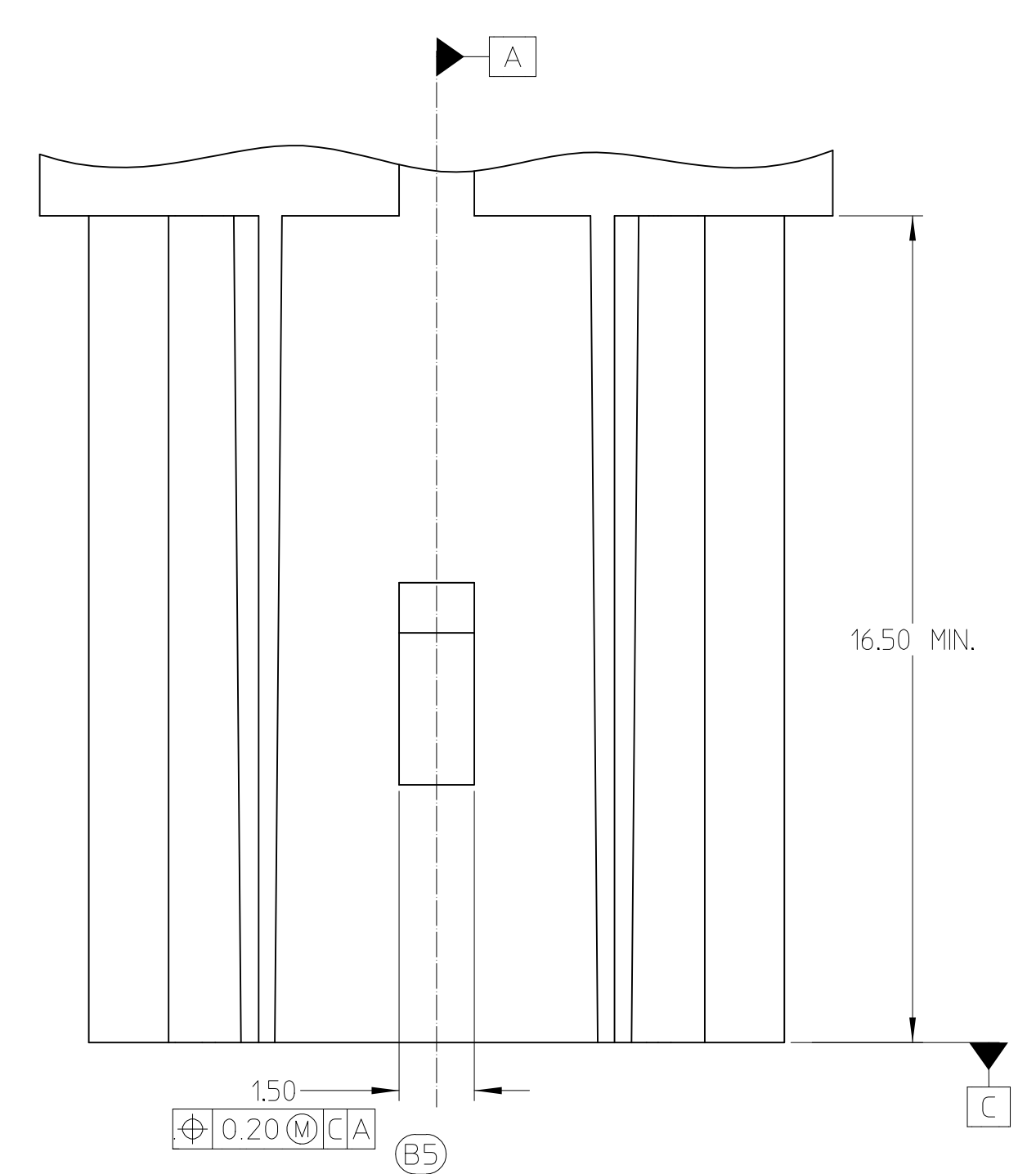


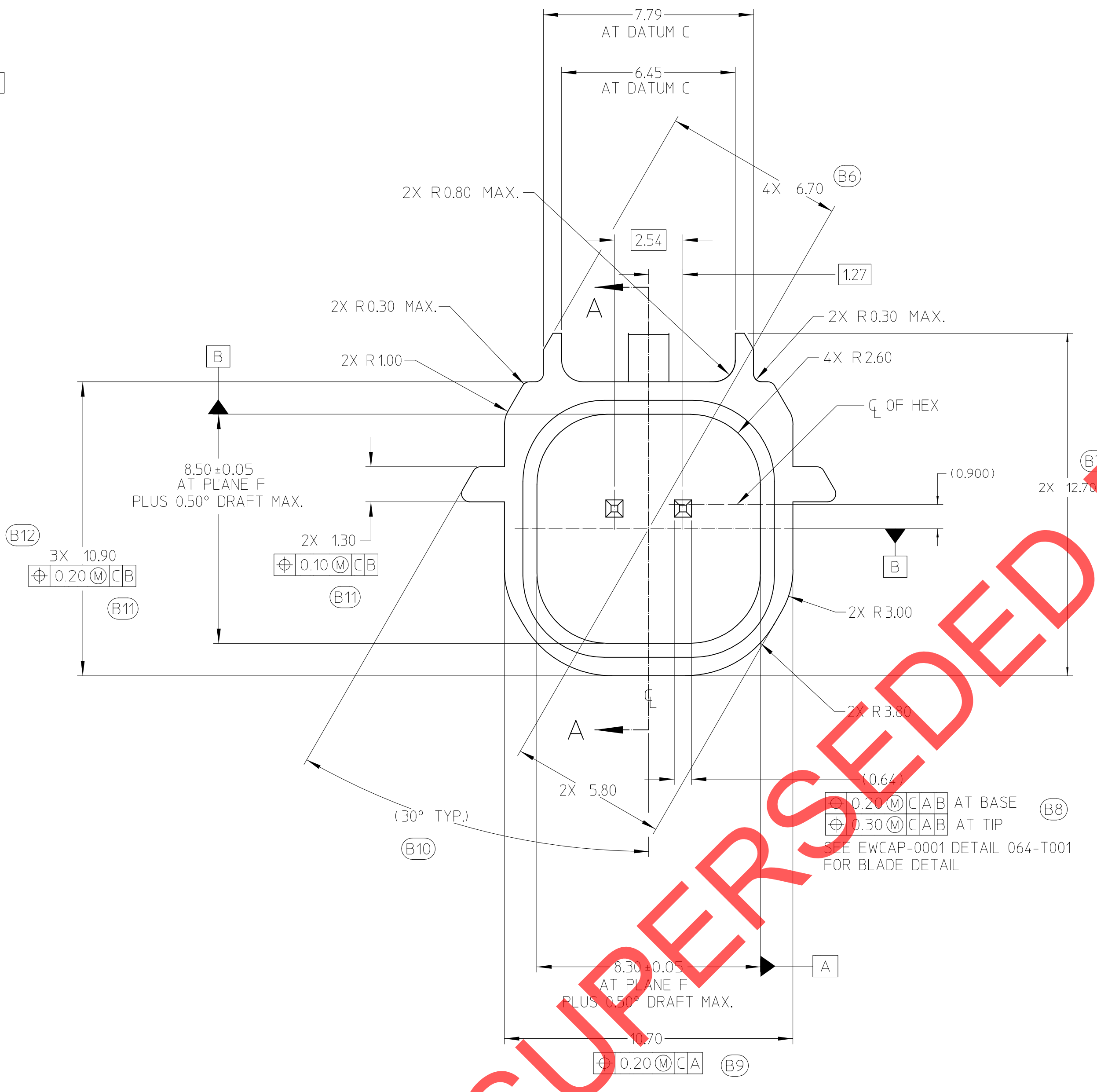
FULL SIZE VIEWS



EWCAP P/N	OPTION	MATING CONNECTOR COLOR
064-S-002-1-D02	D	GREEN
064-S-002-1-C02	C	BROWN
064-S-002-1-B02	B	GRAY
064-S-002-1-A02	A	BLACK

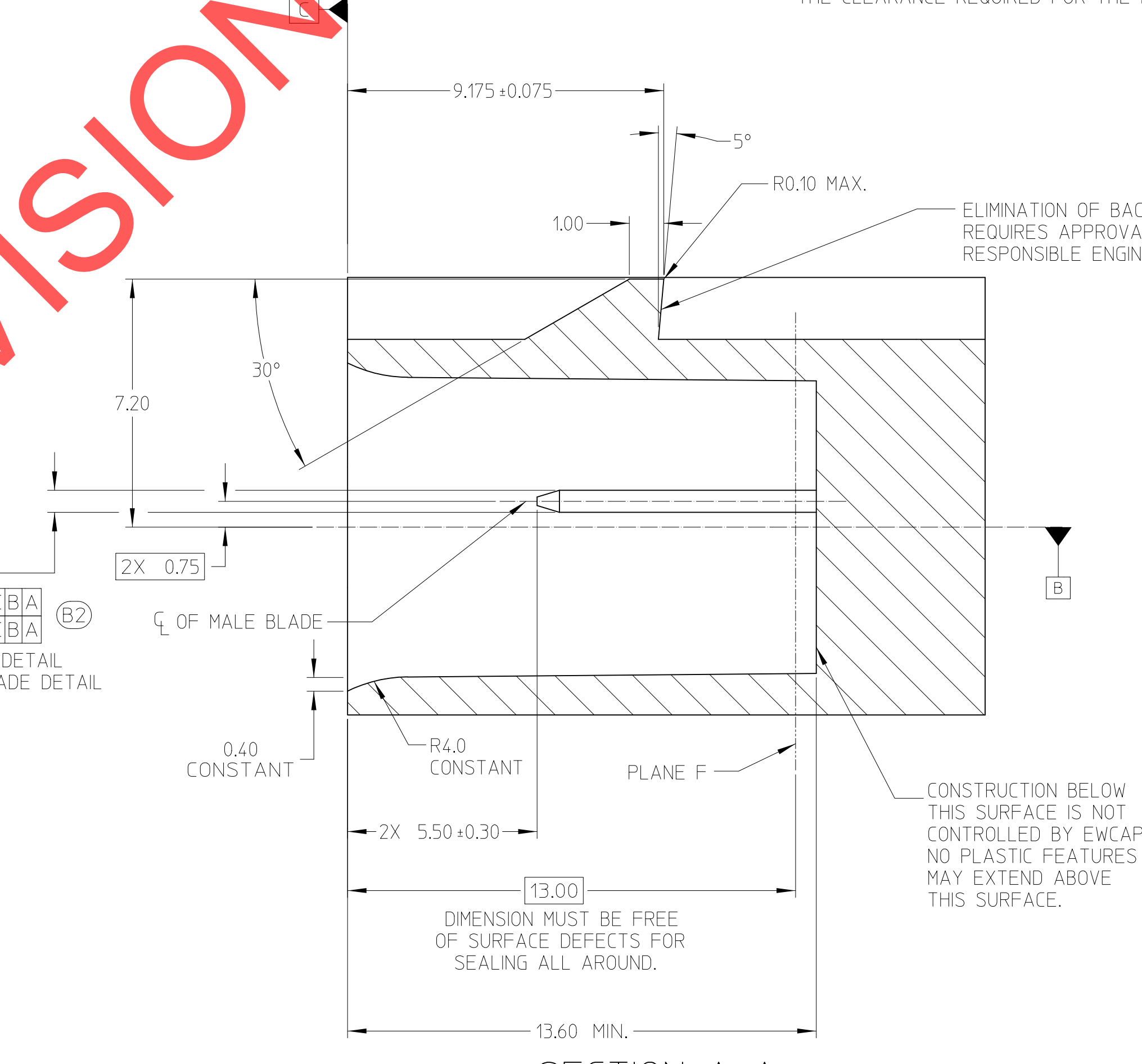


IF HEADER IS RECESSED INTO A POCKET, THESE DIMENSIONS REPRESENT THE CLEARANCE REQUIRED FOR THE MATING CONNECTOR SHROUD.



AT BASE $\phi 0.20$ C B A B2
 AT TIP $\phi 0.30$ C B A B2
 SEE EWCAP-001 DETAIL 064-T001 FOR BLADE DETAIL

$\phi 0.20$ C B A B8
 $\phi 0.30$ C B A B8
 AT BASE
 $\phi 0.30$ C B A B8
 AT TIP
 $\phi 0.30$ C B A B8
 SEE EWCAP-001 DETAIL 064-T001 FOR BLADE DETAIL



ELIMINATION OF BACK ANGLE REQUIRES APPROVAL BY THE RESPONSIBLE ENGINEER.

CONSTRUCTION BELOW THIS SURFACE IS NOT CONTROLLED BY EWCAP. NO PLASTIC FEATURES MAY EXTEND ABOVE THIS SURFACE.

SECTION A-A
 SCALE 10:1

- NOTES: UNLESS OTHERWISE SPECIFIED
- ALL DIMENSIONS SHOWN IN MILLIMETERS.
 - DIMENSIONING AND TOLERANCING PER ASME Y14.5M-1994.
 - 0.50° MAXIMUM DRAFT ANGLE.
 - DRAFT ANGLE PERMISSIBLE ONLY WITHIN DRAWING TOLERANCE.
 - ALL UNSPECIFIED RADII: 0.30 MAX.
 - STANDARD COLORS FOR POLARIZATION - DEVIATION REQUIRES APPROVAL OF AUTHORIZED PERSON.
 - A FULL SHROUD ON THE MATING CONNECTOR IS REQUIRED TO INSURE THAT THE CONNECTOR-HEADER POLARIZATION FEATURES (OPTIONS A THROUGH D) WILL FUNCTION. THE FULL SHROUD ALSO PREVENTS SCOOP DAMAGE TO THE HEADER PINS. REFER TO 'SAE/USCAR-12 CONNECTOR DESIGN GUIDELINES' FOR ADDITIONAL INFORMATION.
 - SECTION A-A IS COMMON TO ALL OPTIONS.
 - FOR PIN GEOMETRIC AND PLATING REQUIREMENTS, REFER TO EWCAP DWG. NO. EWCAP-001 DETAIL 064-T001.
 - POLARIZATION EFFECTIVENESS PER USCAR-2 REV. 4 PARAGRAPH 5.4.4 IS REDUCED TO 120 N WHEN TESTING ALL KEY OPTIONS.

B17	ADDED 2X 5.83 DIM. TO OPTION D POLARIZATION			
B16	ADDED 7.20 & 6.33 DIM. TO OPTION C POLARIZATION			
B15	ADDED 7.20 & 6.33 DIM. TO OPTION B POLARIZATION			
B14	ADDED 2X 6.70 DIM. TO OPTION A POLARIZATION			
B13	ADDED REFERENCE DIMENSIONS TO POLARIZATION VIEWS			
B12	ADDED 3X TO 10.90 DIM.			
B11	CHANGED ORDER OF DATUMS, [C B] WAS [B C] IN FCF			
B10	REMOVED 6X 6.70, ADDED (30° TYP.)			
B9	CHANGED ORDER OF DATUMS, [C A] WAS [A C] IN FCF			
B8	CHANGED ORDER OF DATUMS, [C A B] WAS [A B C] IN FCF			
B7	CHANGED (3X 12.70) TO 2X 12.70			
B6	ADDED DIMENSION 4X 6.70			
B5	CHANGED ORDER OF DATUMS, [C A] WAS [A C] IN FCF			
B4	DATUM REFERENCE A WAS B			
B3	DATUM REFERENCE B WAS C			
B2	CHANGED ORDER OF DATUMS, [C B A] WAS [A B C] IN FCF			
B1	ADDED 'REV. 4'	05-12-10	RC	JC
A	INITIAL RELEASE	11-18-04	RC	JC

CHANGE SERIAL NUMBER	REVISION RECORD	DATE	DWN	CHK
LET				

TOLERANCES (UNLESS OTHERWISE SPECIFIED)
 DIMENSIONS ARE IN MILLIMETERS

ANGLES ± 2°

X.X ± 0.25 X.XX ± 0.10

THIRD ANGLE PROJECTION

SCALE 10 - 1 DRAWN BY R. CARLSON CHECKED BY J. CHILDS DATE 03-30-04

TITLE DIRECT CONNECT INTERFACE
 2 WAY (1 X 2) 0.64 mm SEALED MALE

SHEET 1 DRAWING NUMBER 064-S-002-1-Z02 SIZE E DO NOT SCALE DRAWING COMPUTER AIDED DRAWING REVISION LEVEL B



SUPERSEDED REVISION LEVEL