

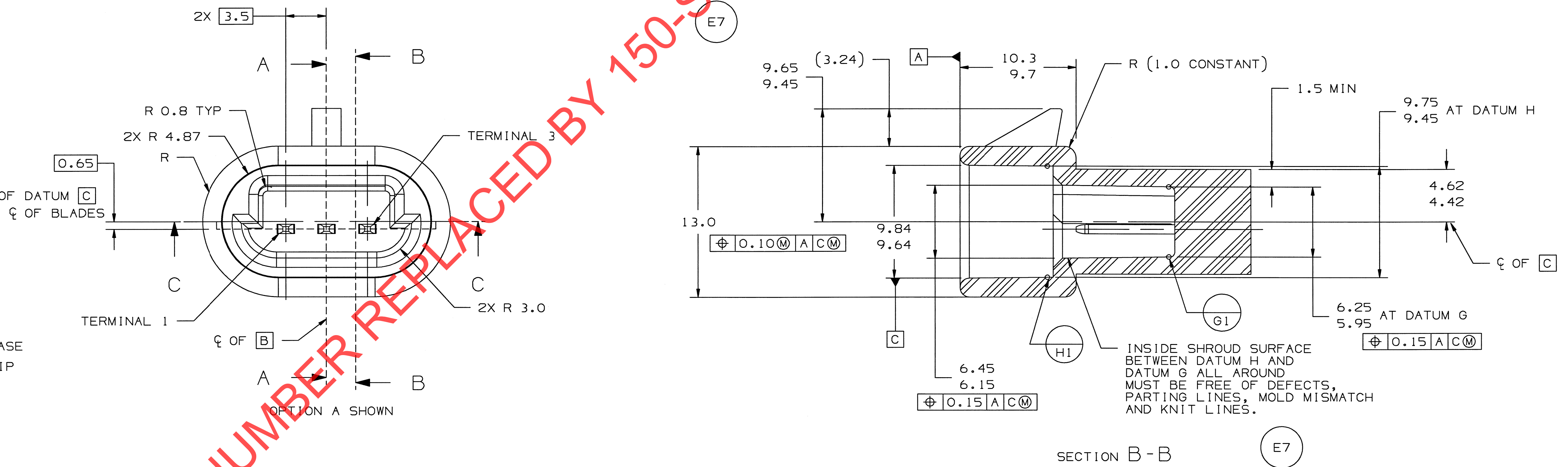
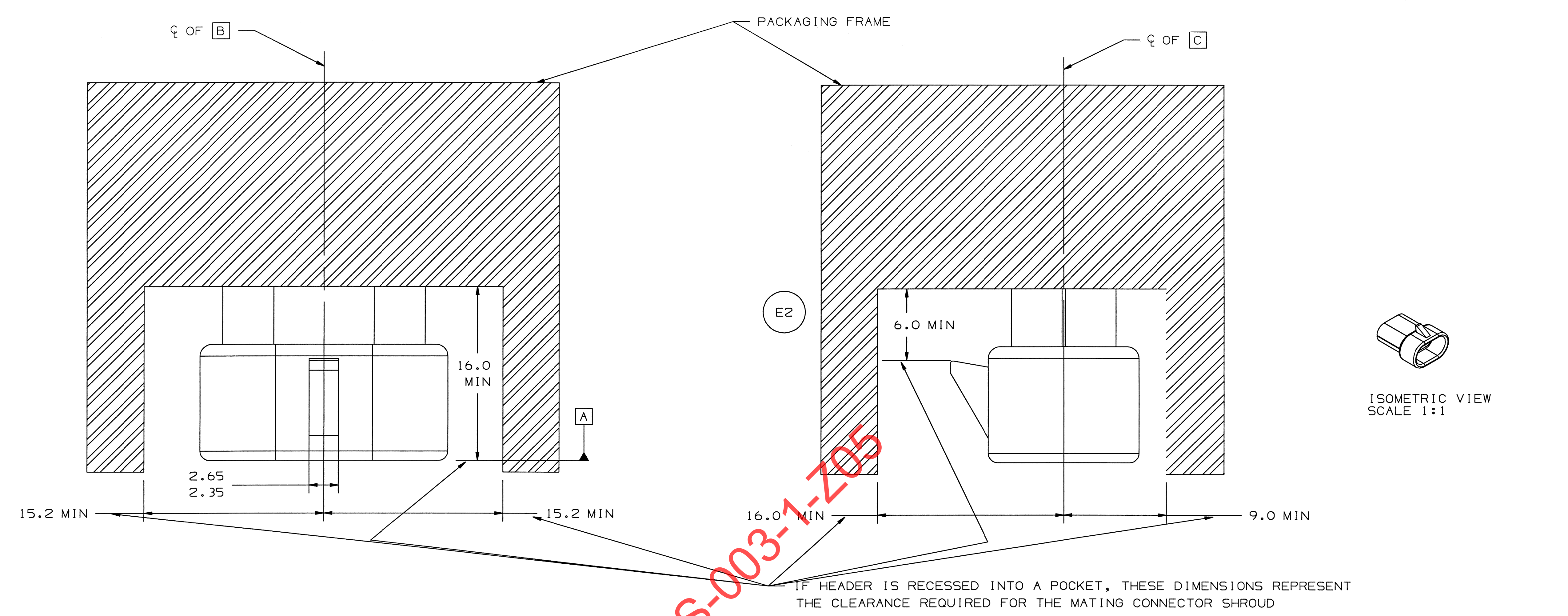
150-S-003-1-D04	D	GREEN
150-S-003-1-C04	C	BROWN
150-S-003-1-B04	B	GREY
150-S-003-1-A04	A	BLACK
EWCAP P/N	OPTION	MATING CONNECTOR COLOR

DETAIL E
SCALE 8:1

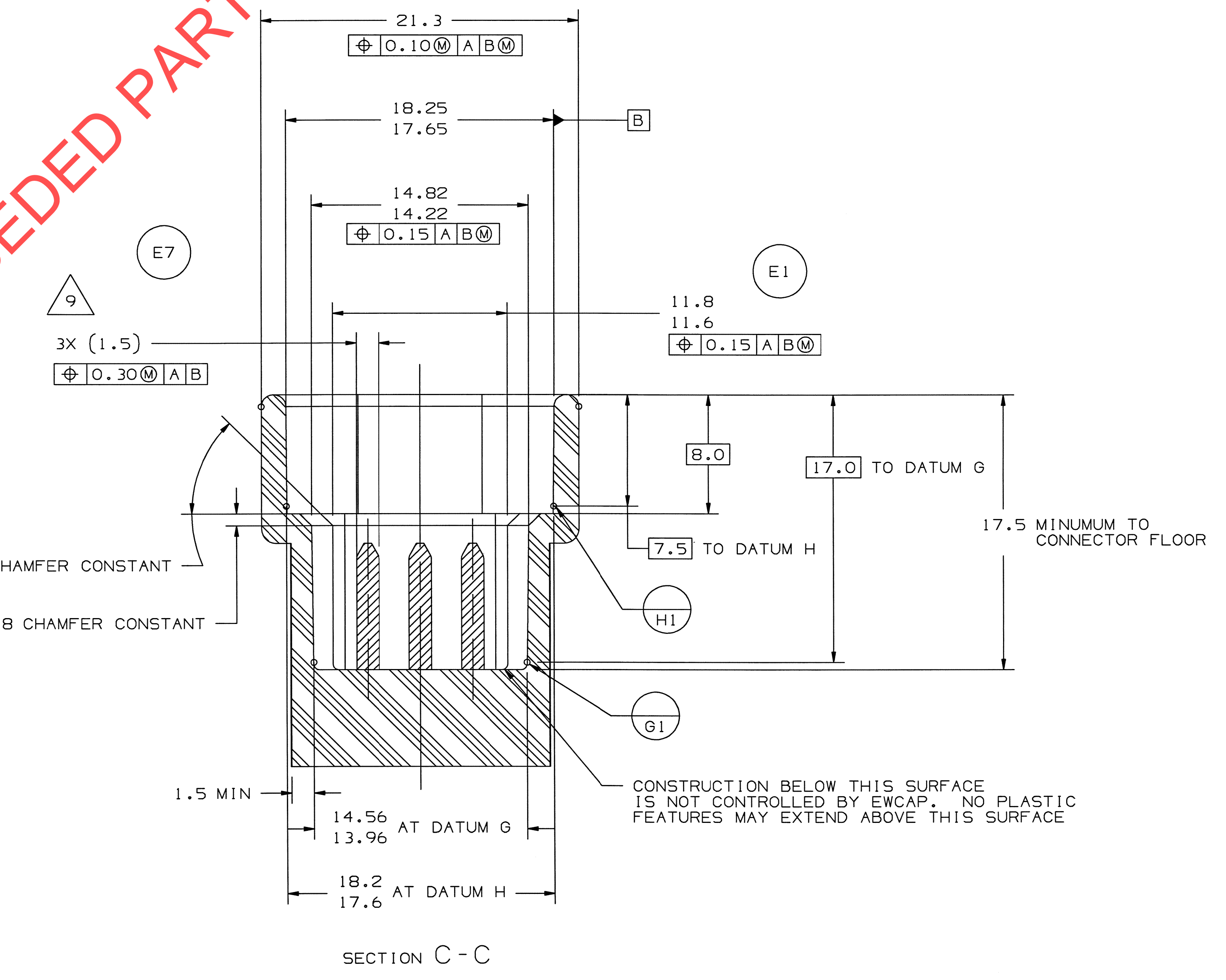
SECTION A-A

SECTION BB-BB

SECTION BD-BD



SECTION B-B



SECTION C-C

SUPERSEDED PART NUMBER REPLACED BY 150-S-003-1-Z05

- NOTES:
1. ALL DIMENSIONS SHOWN IN MILLIMETERS.
 2. DIMENSIONING AND TOLERANCING PER ASME Y14.5M-1994.
 3. RADII ON ALL CORNERS SHOWN SHARP OR ALL UNSPECIFIED RADII: 0.25 EXCEPT AS NOTED.
 4. REFER TO *SAE/JUSCAR-12 CONNECTOR DESIGN GUIDELINES FOR ADDITIONAL INFORMATION.
 5. RECOMMENDED COLORS FOR POLARIZATION - DEVIATION REQUIRES APPROVAL OF AUTHORIZED PERSON.
 6. SECTION LINES ARE COMMON TO ALL OPTIONS.
 7. DIMENSIONS IN () ARE FOR REFERENCE.
 8. 1° DRAFT MAX ON OUTSIDE SURFACES PERMISSIBLE WITHIN ALLOWABLE TOLERANCE.
 9. FOR BLADE GEOMETRIC AND PLATING REQUIREMENTS, REFER TO EWCAP DWG. NO. EWCAP-001, DETAIL 150-T001

E7	EDIT DRAWING TO CONFORM WITH LATEST USCAR SPECIFICATION						
E6	REMOVED NOTE 5 NOTE 5 WAS NOTE 6 NOTE 6 WAS NOTE 7 ADDED NOTE B AND 9 AND REMOVED BLADE MODEL						
E5	MOVED GD+T AND 2X 0.175 TO DETAIL E FOR CLARITY						
E4	ADDED SECTION VIEWS BB, BD FOR CLARITY						
E3	REMOVED NOTICE						
E2	ADDED 6.0 MIN TO PKG VIEW						
O18	E1 ADDED GD&T 6 PLCS.	21FEB03	JC	JJ			
O14	D REMOVED TERMINAL DIM. 1.20 AND 1.80 MOVED NOTE B TO TERMINAL CONFIG.	23JAO3	JC	JJ			
O11	C REMOVED TERMINAL DIM. AND ADDED NOTE B. ADDED DIM. 11.8/11.6 RTI.0 CONSTANT WAS R 1.0 CONSTANT 3X 9.7 WAS 3X 10.3/9.7	190002	JC	JJ			
O09	B REMOVED DIM. 2X5.45 (2PLCS)	11JNO2	JC	JJ			
A	RELEASE	02AP02	JC	JJ			
LET REVISION RECORD DATE DWN CHK							
TOLERANCES (UNLESS OTHERWISE SPECIFIED)							
DIMENSIONS ARE IN MILLIMETERS							
ANGLES 1:2							
.XX ± .05							
.XXX ± .13							
SCALE	1-5	DRAWN BY	J. CUPIT	DESIGNED BY	JONES	DATE	03-15-02
TITLE	DIRECT CONNECT INTERFACE - 3 WAY (1X3) 1.5MM SEALED MALE						
SHEET DRAWING NUMBER	1-1	150-S-003-1-Z04	E	DATE	02AP02	BY	JC
REVISION LEVEL	E						

DELPHI
CONNECTION SYSTEMS
15454769

NOTICE

EWCAP has selected common dimensions for the connector depicted and described herein (listed below). Further, EWCAP has selected for publication this drawing prepared by Delphi Corporation as representative of a connector having these dimensions. In exchange for the consideration of the selection of this drawing for publication (including posting on EWCAP's web site) and other good and valuable consideration flowing from this selection, Delphi Corporation hereby agrees on behalf of itself and its successors and assigns, with respect to any copyrights it may have in this drawing as well as any patent rights it may have in the connector illustrated in this drawing, not to enforce such copyrights and patents against any person or entity on account of their activities to make, have made, use and sell the connector illustrated in this drawing for vehicular applications. The term "connector" as used in this paragraph is limited solely to the structure specifically illustrated in this drawing.

Signed  for Delphi Corporation.

Date: 6-26-03

Name and title of signer: STEPHEN V. DURA DIRECTOR, GLOBAL ENERGY
DELPHI PACKARD ELECTRIC

NO WARRANTIES OR INDEMNITIES OF ANY KIND ARE MADE OR IMPLIED BY Delphi Corporation - OR EWCAP. IN PARTICULAR THERE ARE NO EXPRESS OR IMPLIED WARRANTIES OF FITNESS FOR A PARTICULAR PURPOSE, MERCHANTABILITY, NON-INFRINGEMENT OR ANY OTHER WARRANTY OF ANY KIND. IN ADDITION, THERE ARE NO EXPRESS OR IMPLIED WARRANTIES OR INDEMNITIES OF ANY KIND RELATING TO THIRD PARTY CLAIMS ARISING UNDER THE INTELLECTUAL PROPERTY LAWS OF ANY COUNTRY. ANYONE USING THE INFORMATION IN THIS DRAWING DOES SO AT THEIR OWN RISK.

- 150-S-002-1-Z02
- 150-S-002-1-Z03
- 150-S-003-1-Z01
- 150-S-003-1-Z04
- 150-S-004-1-Z01
- 150-S-004-1-Z02
- 150-S-005-1-Z01
- 150-S-005-1-Z02
- 150-S-006-1-Z01
- 150-S-006-1-Z02
- 150-S-006-2-Z01
- 150-S-008-2-Z01

SUPERSEDED PART NUMBER REPLACED BY 150-S-003-1-Z05