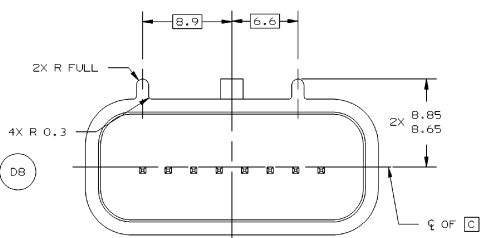
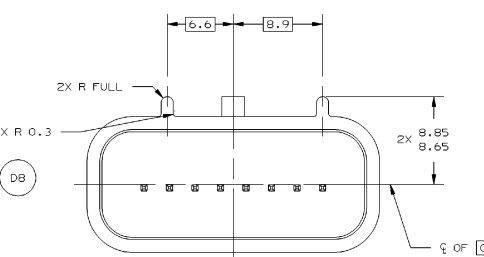


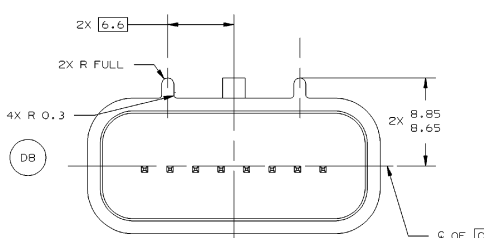
064-S-008-1-A01 (OPTION A)



064-S-008-1-B01 (OPTION B)

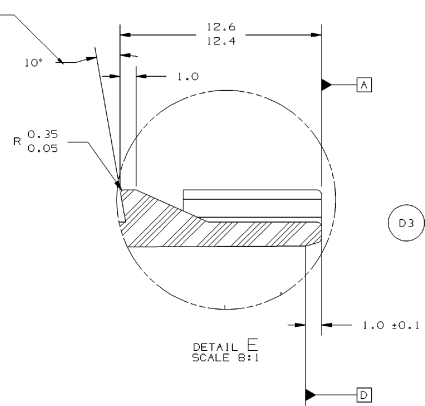


064-S-008-1-C01 (OPTION C)

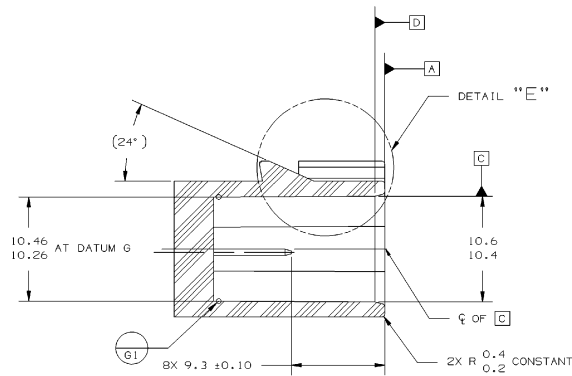


064-S-008-1-D01 (OPTION D)

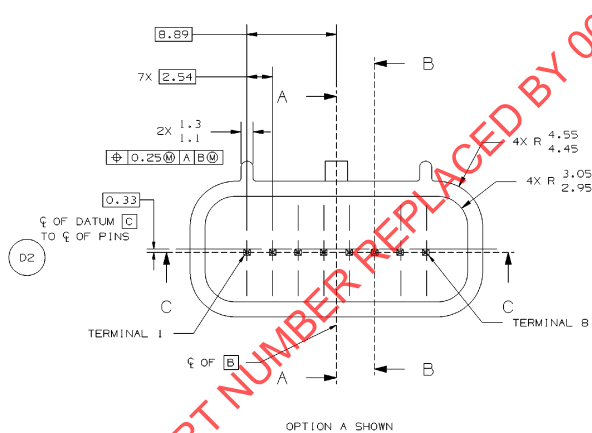
ELIMINATION OF BACK ANGLE REQUIRES APPROVAL OF RESPONSIBLE ENGINEER



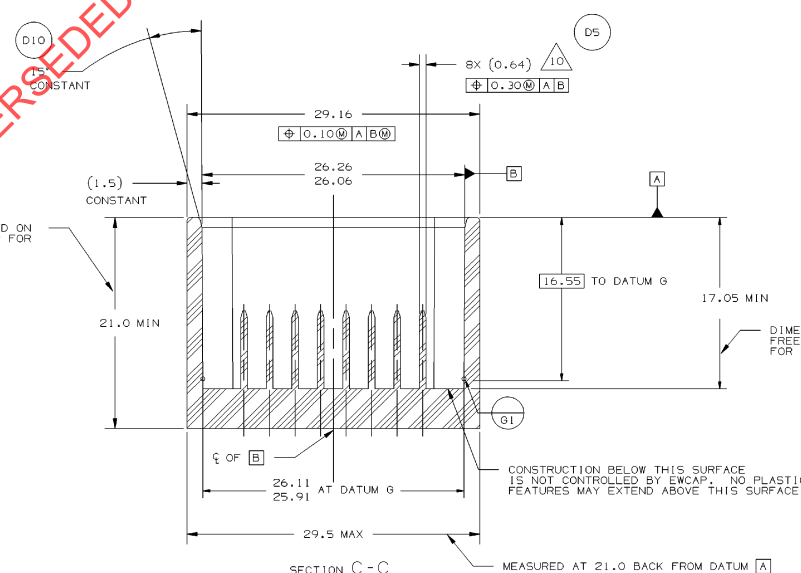
DETAIL E SCALE 8:1



SECTION A-A



OPTION A SHOWN

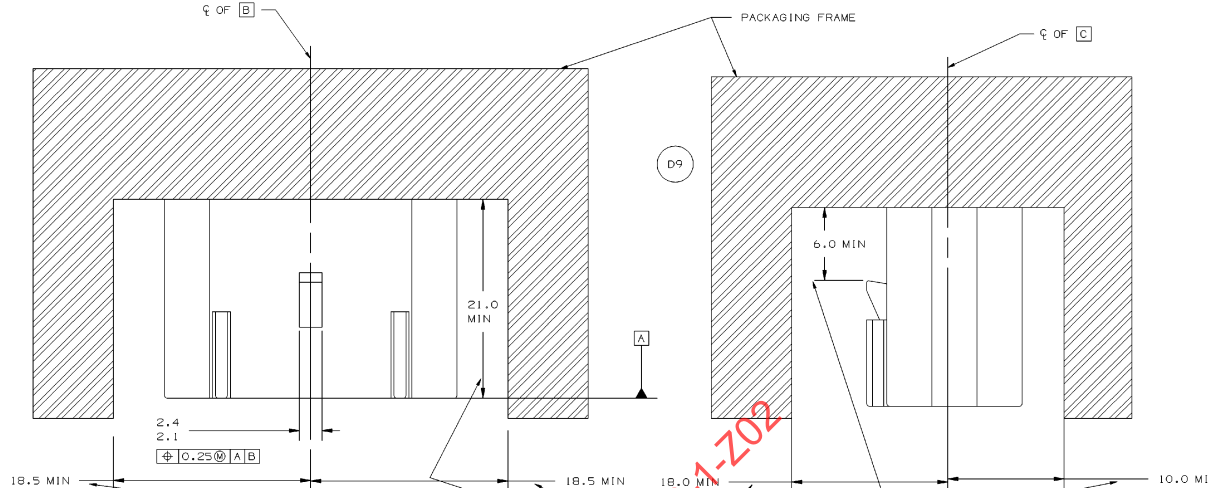


SECTION C-C

MINIMUM CLEARANCE REQUIRED ON OUTSIDE SURFACE OF HEADER FOR MATING CONNECTOR SHROUD

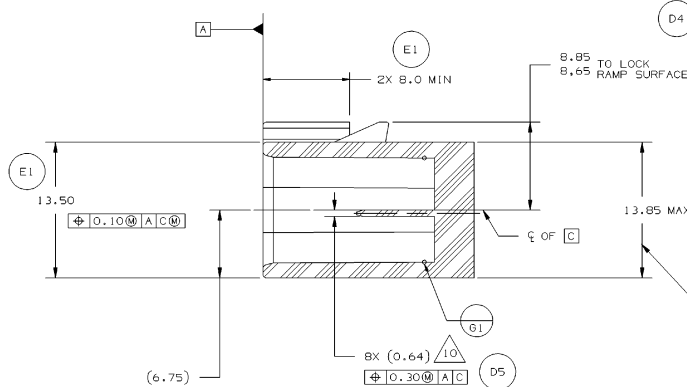
CONSTRUCTION BELOW THIS SURFACE IS NOT CONTROLLED BY EWCAP. NO PLASTIC FEATURES MAY EXTEND ABOVE THIS SURFACE

DIMENSION MUST BE FREE OF SURFACE DEFECTS FOR SEALING ALL AROUND



ISOMETRIC VIEW SCALE 1:1

IF HEADER IS RECESSED INTO A POCKET, THESE DIMENSIONS REPRESENT THE CLEARANCE REQUIRED FOR THE MATING CONNECTOR SHROUD



SECTION B-B

MEASURED AT 21.0 BACK FROM DATUM A

NOTES:

1. ALL DIMENSIONS SHOWN IN MILLIMETERS.
2. DIMENSIONING AND TOLERANCING PER ASME Y14.5M-1994.
3. RADII ON ALL CORNERS SHOWN SHARP OR ALL UNSPECIFIED RADII: 0.25 EXCEPT AS NOTED.
4. REFER TO "SAE/USCAR-12 CONNECTOR DESIGN GUIDELINES FOR ADDITIONAL INFORMATION."
5. A FULL SHROUD ON THE MATING CONNECTOR IS REQUIRED TO INSURE THAT THE CONNECTOR-HEADER POLARIZATION FEATURES (OPTIONS A THROUGH D) WILL FUNCTION. THE FULL SHROUD ALSO PREVENTS SCOOP DAMAGE TO THE HEADER PINS. REFER TO "SAE/USCAR-12 CONNECTOR DESIGN GUIDELINES" FOR ADDITIONAL INFORMATION.
6. RECOMMENDED COLORS FOR POLARIZATION - DEVIATION REQUIRES APPROVAL OF AUTHORIZED PERSON.
7. 0.25 DEGREE DRAFT ON INSIDE WALLS STARTING AT DATUM D.
8. SECTION LINES ARE COMMON TO ALL OPTIONS.
9. DIMENSIONS IN ( ) ARE FOR REFERENCE.
10. FOR PIN GEOMETRIC AND PLATING REQUIREMENTS, REFER TO EWCAP DWG. NO. EWCAP-001, DETAIL 064-T001

|                 |        |                        |
|-----------------|--------|------------------------|
| 064-S-008-1-D01 | D      | GREEN                  |
| 064-S-008-1-C01 | C      | BROWN                  |
| 064-S-008-1-B01 | B      | GREY                   |
| 064-S-008-1-A01 | A      | BLACK                  |
| EWCAP P/N       | OPTION | MATING CONNECTOR COLOR |

| REV  | DATE | BY      | CHK | DESCRIPTION |   |
|------|------|---------|-----|-------------|---|
| 046  | E1   | 09JUN04 | MB  | JD          | DIM 13.50 WAS 13.5, 2X 8.0 MIN WAS 2X 8.6 MIN   |
| D10  |      |         |     |             | 15" WAS 17"/13"   |
| D9   |      |         |     |             | ADDED PKG DIM 6.0 MIN   |
| D8   |      |         |     |             | R 0.3 ADDED   |
| D7   |      |         |     |             | ADDED NOTE 10.  |
| D6   |      |         |     |             | ANGLES TOLERANCE 12" WAS 0° 30"   |
| D5   |      |         |     |             | ADDED FEATURE CONTROL BOX   |
|      |      |         |     |             | MOVED PIN DETAILS TO DWG. EWCAP-001   |
|      |      |         |     |             | EDIT DRAWING TO CONFORM TO THE LATEST USCAR SPECIFICATION                                     |
| D4   |      |         |     |             | ADDED DIM 8.85/8.65 AND NOTE "TO LOCK RAMP SURFACE".  |
| D3   |      |         |     |             | REMOVED DIM 17"/13" FROM DETAIL E   |
| D2   |      |         |     |             | ADDED NOTE C OF DATUM E TO C OF PINS AND MOVED DIM FROM SEC. A-A                              |
| 024  | D1   | 08MAY03 | JC  | JJ          | REMOVED NOTICE  |
| 012A | C    | 04FEB03 | JC  | JJ          | SEE CHANGE NOTICE   |
| 006  | B    | 22MAY02 |     |             | PIN NOTES UPDATED. DIMENSIONS UPDATED. NO PHYSICAL CHANGES MADE TO THE DESIGN.                |
|      | A    | 30AUG01 | RR  |             | RELEASED  |
|      |      |         |     |             | LET REVISION RECORD DATE DWN CHK  |
|      |      |         |     |             | TOLERANCES (UNLESS OTHERWISE SPECIFIED): DIMENSIONS ARE IN MILLIMETERS ANGLES: 1 2° 10' ± .25 |

# NOTICE

EWCAP has selected common dimensions for the connector depicted and described herein (listed below). Further, EWCAP has selected for publication this drawing prepared by Delphi Corporation as representative of a connector having these dimensions. In exchange for the consideration of the selection of this drawing for publication (including posting on EWCAP's web site) and other good and valuable consideration flowing from this selection, Delphi Corporation hereby agrees on behalf of itself and its successors and assigns, with respect to any copyrights it may have in this drawing as well as any patent rights it may have in the connector illustrated in this drawing, not to enforce such copyrights and patents against any person or entity on account of their activities to make, have made, use and sell the connector illustrated in this drawing for vehicular applications. The term "connector" as used in this paragraph is limited solely to the structure specifically illustrated in this drawing.

Signed  for Delphi Corporation.

Date: 6-26-03

Name and title of signer: STEPHEN V. DUCA, DIRECTOR, GLOBAL ENGINEERING DELPHI RACKARD ELECTRIC

NO WARRANTIES OR INDEMNITIES OF ANY KIND ARE MADE OR IMPLIED BY Delphi Corporation - OR EWCAP. IN PARTICULAR THERE ARE NO EXPRESS OR IMPLIED WARRANTIES OF FITNESS FOR A PARTICULAR PURPOSE, MERCHANTABILITY, NON-INFRINGEMENT OR ANY OTHER WARRANTY OF ANY KIND. IN ADDITION, THERE ARE NO EXPRESS OR IMPLIED WARRANTIES OR INDEMNITIES OF ANY KIND RELATING TO THIRD PARTY CLAIMS ARISING UNDER THE INTELLECTUAL PROPERTY LAWS OF ANY COUNTRY. ANYONE USING THE INFORMATION IN THIS DRAWING DOES SO AT THEIR OWN RISK.

064-S-004-1-Z01  
064-S-005-1-Z01  
064-S-006-1-Z01  
064-S-008-1-Z01  
064-S-008-2-Z01  
064-S-010-2-Z01  
064-S-012-2-Z01  
064-S-016-2-Z01  
064-S-018-2-Z01

SUPERSEDED PART NUMBER REPLACED BY 064-S-008-1-Z02