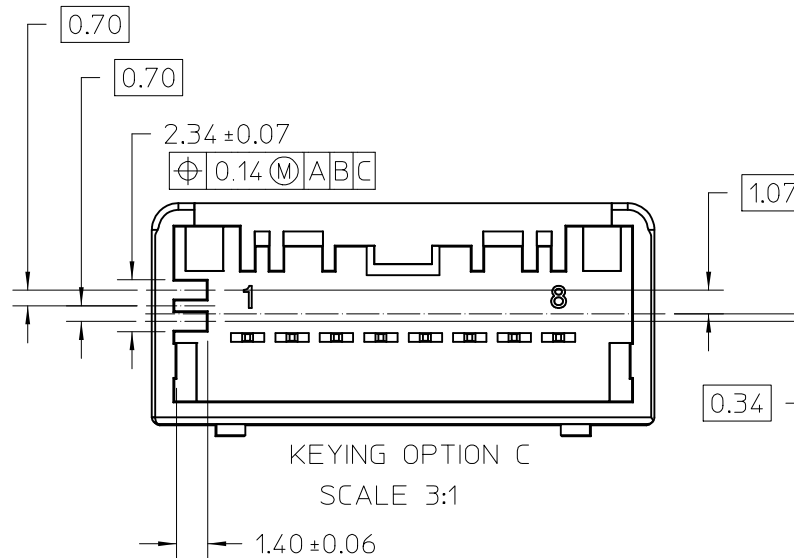
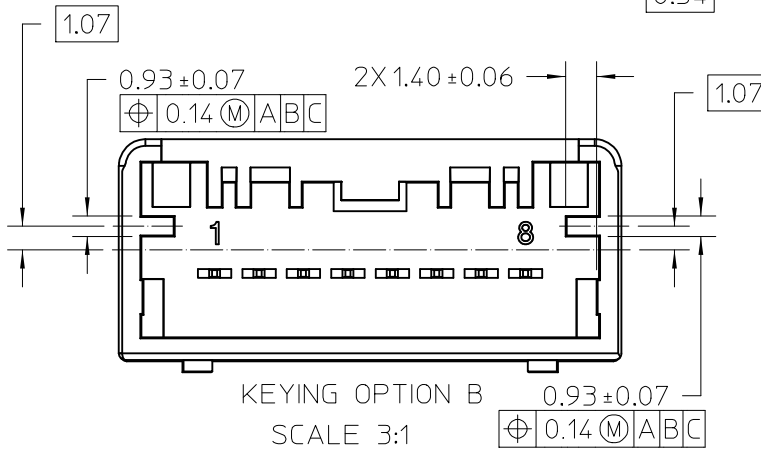
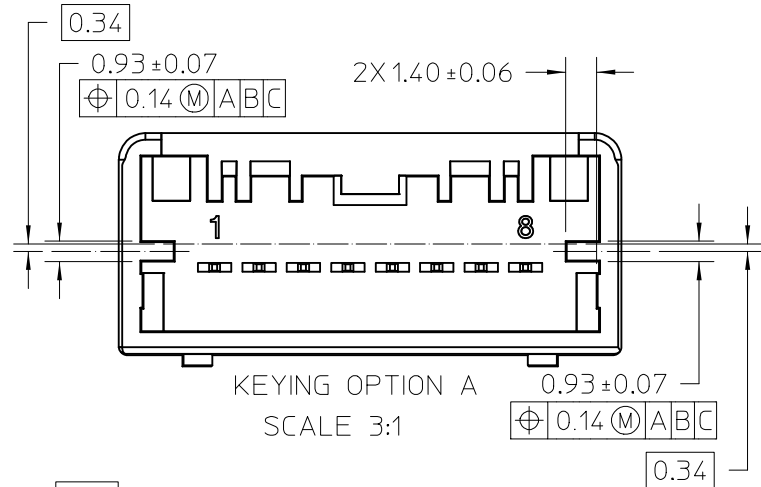
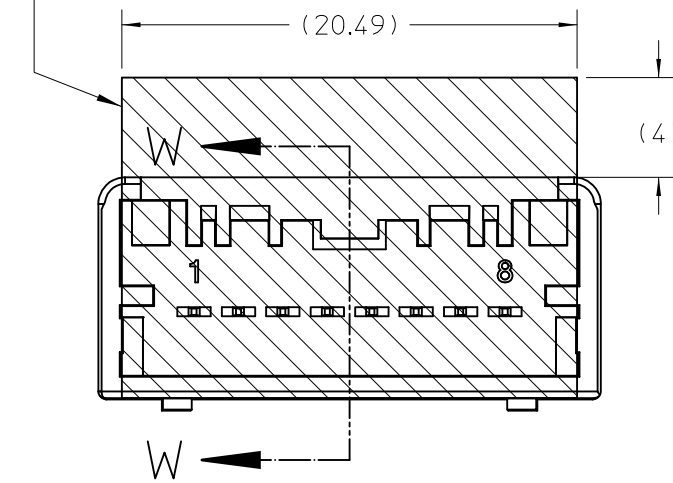


INDEX OPTIONS

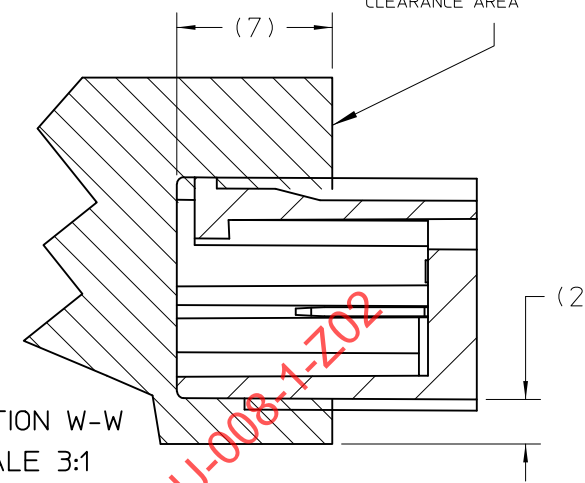


PACKAGING VIEW

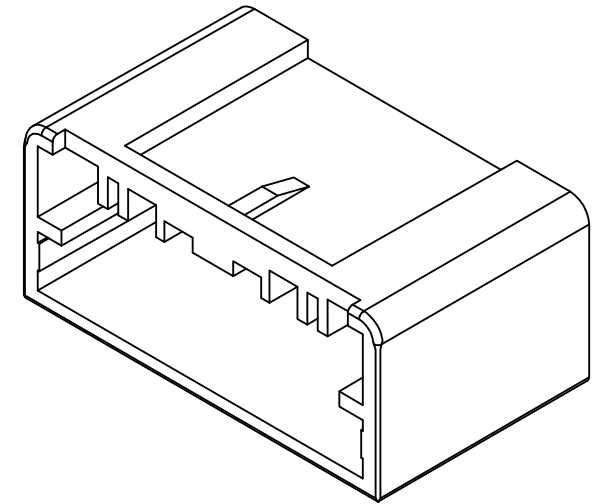
REQUIRED FEMALE CONNECTOR CLEARANCE AREA



REQUIRED FEMALE CONNECTOR CLEARANCE AREA



SECTION W-W
SCALE 3:1



NOTES: UNLESS OTHERWISE SPECIFIED

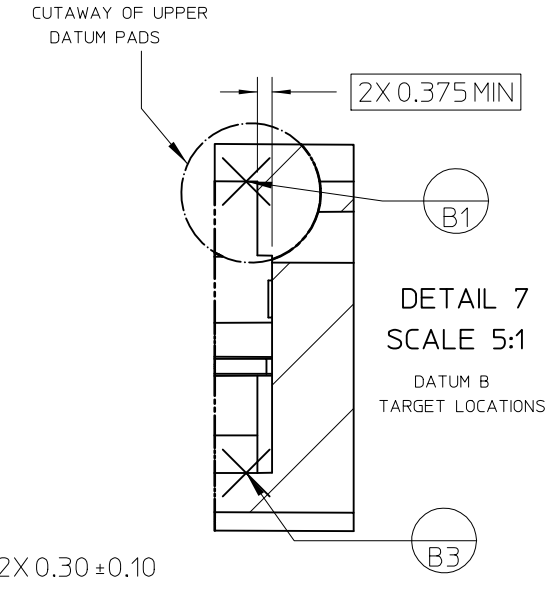
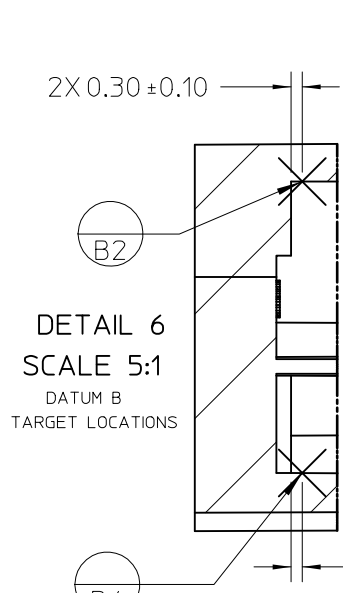
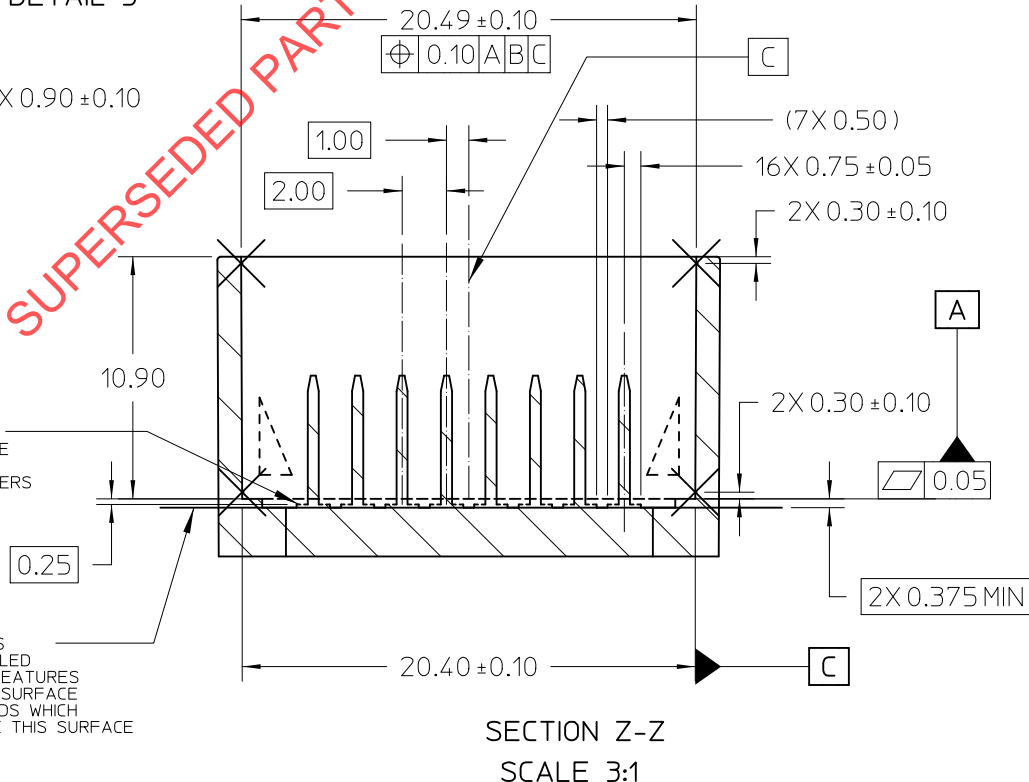
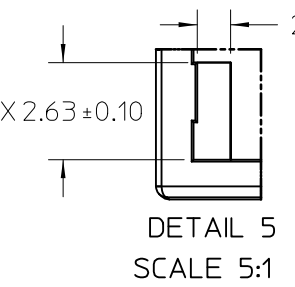
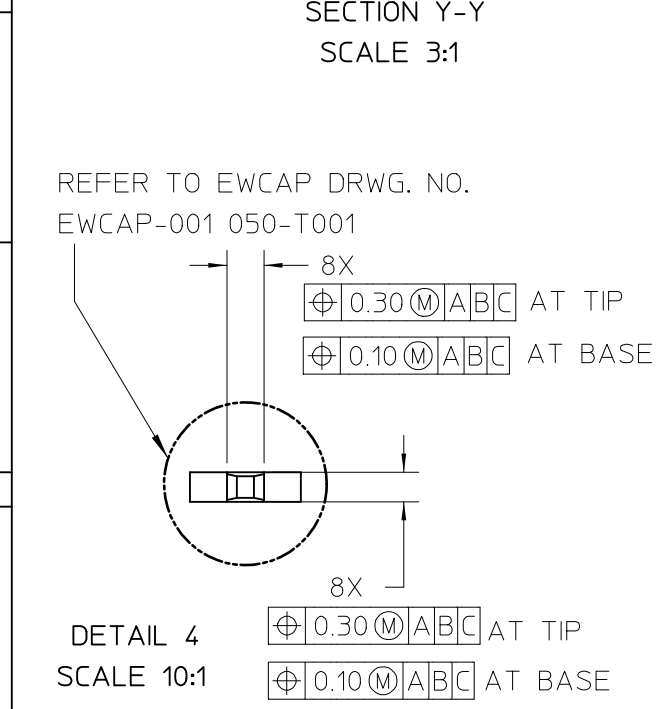
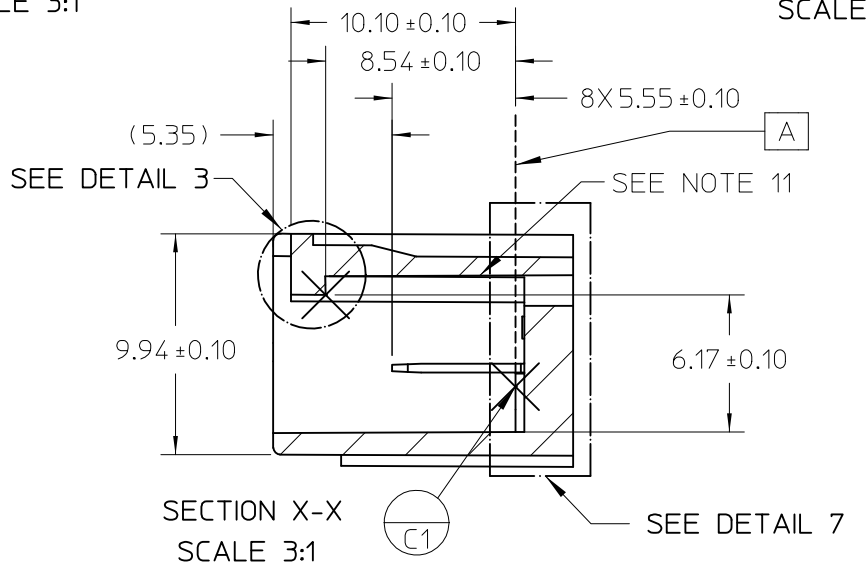
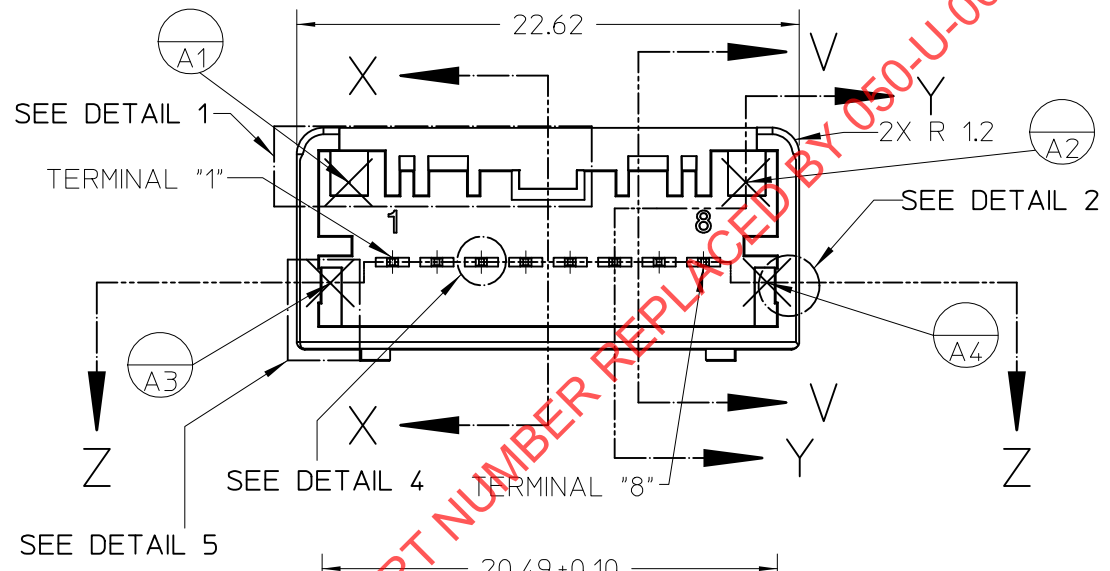
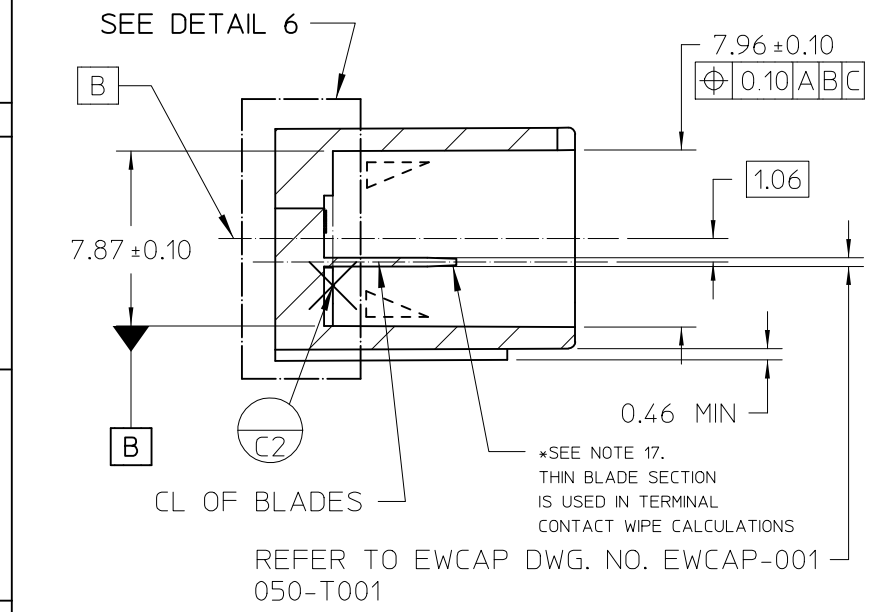
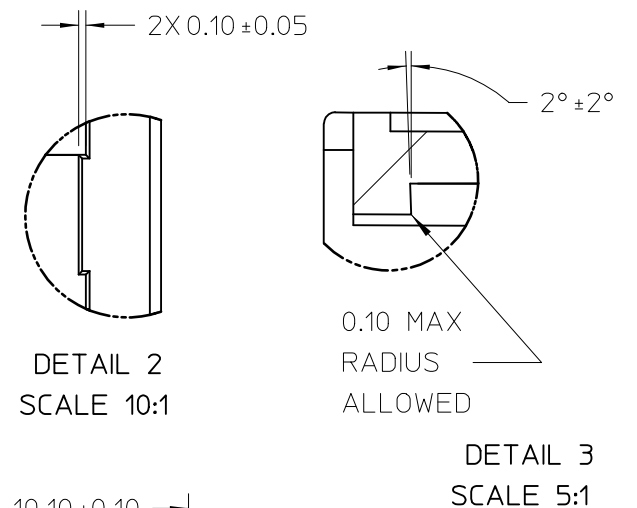
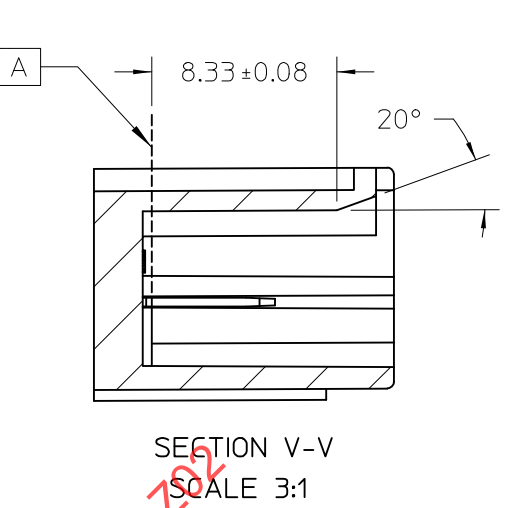
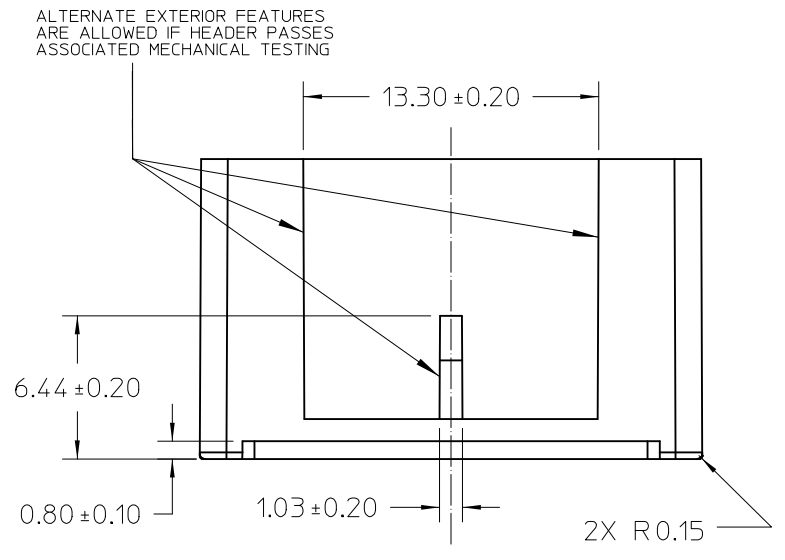
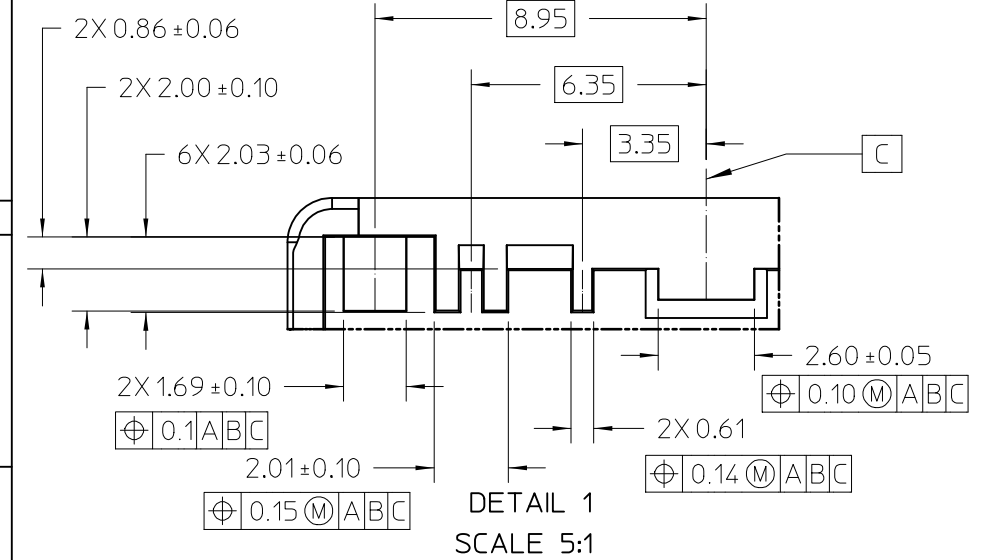
1. ALL DIMENSIONS SHOWN IN MILLIMETERS.
2. DIMENSIONING AND TOLERANCING PER ASME Y14.5M-2009
3. 0.20 RADII MAX ON ALL CORNERS SHOWN SHARP.
4. UNSPECIFIED RADII: 0.30 MAX EXCEPT AS NOTED.
5. STANDARD COLORS FOR POLARIZATION (SEE CHART). DEVIATION REQUIRES APPROVAL OF AUTHORIZED PERSON.
6. REFER TO "SAE/USCAR 12, CONNECTOR GUIDELINES" FOR ADDITIONAL REQUIREMENTS.
7. EXCEPT WHERE NOTED, DRAFT ON OUTSIDE SURFACES IS PERMISSIBLE WITHIN TOLERANCE.
8. SYMBOL INDICATES DRAFT DIRECTION.
9. FOR TERMINAL MATERIAL, DIMENSIONAL, AND COATING REQUIREMENTS AND ANY BLADE TERMINAL DESIGN INFORMATION NOT SHOWN ON THIS DRAWING SEE EWCAP DWG. NO. EWCAP-001
10. TO CLAIM USCAR COMPLIANCE, PARTS DESIGNED AND PRODUCED TO THIS FOOTPRINT DRAWING MUST BE TESTED TO AND MEET THE REQUIREMENTS OF SAE/USCAR 2.
11. REVERSE DRAFT PERMISSIBLE IN LATCH DETAILS.
12. REFER TO USCAR/EWCAP PART LIST AS FOUND ON WEBSITE <http://www.uscarteams.org>
13. THIS IS A 100% CAD GENERATED PART. THE CAD MATHEMATICAL DATA IS THE MASTER FOR THIS PART. FOR DIMENSIONAL OR ANY INFORMATION NOT SHOWN ON THIS DRAWING, ANALYZE THE CAD MODEL.
14. INTERFACE APPLIES TO DISCRETE HEADERS ONLY. ENTIRE HEADER MUST BE SINGLE PIECE AND NOT INCORPORATED INTO A LARGER MODULE.
15. DESIGN IS NOT CPA CAPABLE.
16. CONNECTOR LOCK OVERTRAVEL OF 0.15MM MIN IS ALLOWED.
17. PROVIDE FOR A MINIMUM OF 0.7MM MINIMUM RSS TERMINAL ENGAGEMENT BEGINNING ON THE THIN BLADE SECTION BEYOND THE MALE TERMINAL COINED EDGE. THE MATING FEMALE CONNECTOR SHALL BE PULLED ALL THE WAY BACK IN THE HEADER CAVITY AND THE FEMALE TERMINAL SHALL BE PULLED ALL THE WAY BACK IN THE FEMALE CONNECTOR CAVITY.

SUPERSEDED PART NUMBER REPLACED BY 050-U-008-1-Z02

050-U-008-1-C01	C	BROWN
050-U-008-1-B01	B	GRAY
050-U-008-1-A01	A	BLACK
EWCAP P/N	OPTION	MATING CONNECTOR COLOR

CHANGE SERIAL NUMBER	A	INITIAL RELEASE	3-26-12	TM	SM
LET	REVISION RECORD		DATE	DWN	CHK
TOLERANCES (UNLESS OTHERWISE SPECIFIED)					
DIMENSIONS ARE IN MILLIMETERS					
ANGLES +3°					
.X+0.25			.XX+0.13		
EWCAP					
SCALE	3 - 1	DRAWN BY	T. MACHUGA	CHECKED BY	S. MARCEAU
TITLE	8 WAY (1 X 8) UNSEALED INTERFACE 0.50 MM CONNECTORS				
SHEET	1 of 3	DRAWING NUMBER	050-U-008-1-Z01	SIZE	B
				DO NOT SCALE DRAWING	COMPUTER AIDED DRAWING
				REVISION LEVEL	A





SUPERSEDED PART NUMBER REPLACED BY 050-U-008-1-Z02

TOLERANCES (UNLESS OTHERWISE SPECIFIED)		THIRD ANGLE PROJECTION	
DIMENSIONS ARE IN MILLIMETERS			
ANGLES ±3°			
X±0.25	XX±0.13		
EWCAP			
SCALE 3 - 1	DRAWN BY T. MACHUGA	CHECKED BY S. MARCEAU	DATE 8-8-12
TITLE 8 WAY (1 x 8) UNSEALED INTERFACE 0.50 MM CONNECTORS			
SHEET 2 of 3	DRAWING NUMBER 050-U-008-1-Z01	SIZE B	DO NOT SCALE DRAWING COMPUTER AIDED DRAWING
		REVISION LEVEL	A



STANDARD NOTICE

THIS DRAWING, OR PORTIONS OF IT ARE CONTROLLED BY THE ELECTRICAL WIRING COMPONENTS APPLICATION PARTNERSHIP (EWCAP) A SUBGROUP OF THE UNITED STATES CONSORTIUM FOR AUTOMOTIVE RESEARCH LLC (USCAR LLC).

USCAR IS AN LLC CONSISTING OF MEMBERS FROM CHRYSLER GROUP, FORD MOTOR COMPANY, AND GM COMPANY.

ANY CHANGE TO A EWCAP CONTROLLED PORTION OF THIS DRAWING INCLUDING A REVISION RECORD CHANGE MUST BE APPROVED, IN WRITING, BY THE RESPONSIBLE EWCAP REPRESENTATIVE FROM EACH USCAR MEMBER COMPANY. EACH EWCAP REPRESENTATIVE AUTHORIZED TO SIGN FOR HIS OR HER COMPANY IS RESPONSIBLE FOR OBTAINING ALL NECESSARY APPROVALS WITHIN THAT COMPANY PRIOR TO SIGNING FOR APPROVAL OF THE CHANGE.

EWCAP EXPRESSLY PROHIBITS ANY PARTY FROM CHANGING EITHER ANY EWCAP CONTROLLED PORTION OF THIS DRAWING OR ANY ASSOCIATED TOOLING BEFORE RECEIVING AN APPROVAL, SIGNED BY THE AUTHORIZED REPRESENTATIVES, OF THE USCAR MEMBER COMPANIES. REFERENCE TO THE SIGNED CHANGE NOTICE MUST BE ENTERED IN THE DRAWING CONTROL COLUMN.

SUPERSEDED PART NUMBER REPLACED BY 050-U-0081-Z02



TOLERANCES (UNLESS OTHERWISE SPECIFIED)		THIRD ANGLE PROJECTION	
DIMENSIONS ARE IN MILLIMETERS			
ANGLES ±3°			
.X±0.25	.XX±0.13		
EWCAP			
SCALE 3 - 1	DRAWN BY T. MACHUGA	CHECKED BY S. MARCEAU	DATE 8-8-12
TITLE 8 WAY (1 x 8) UNSEALED INTERFACE 0.50 MM CONNECTORS			
SHEET 3 OF 3	DRAWING NUMBER 050-U-008-1-Z01	SIZE B	DO NOT SCALE DRAWING COMPUTER AIDED DRAWING
			REVISION LEVEL A