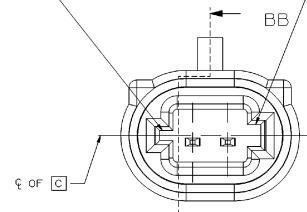


150-S-002-1-A04
(OPTION A)

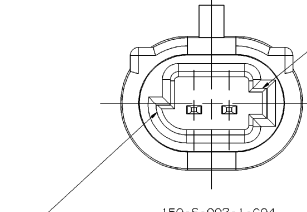
ALL INDEX WIDTHS ARE THE SAME PER SECTION C-C

INDEX DIMENSIONS SAME AS SHOWN IN SECTION BD-BD OPTION D



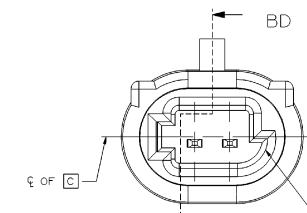
150-S-002-1-B04
(OPTION B)

INDEX DIMENSIONS SAME AS SHOWN IN SECTION BD-BD OPTION D



150-S-002-1-C04
(OPTION C)

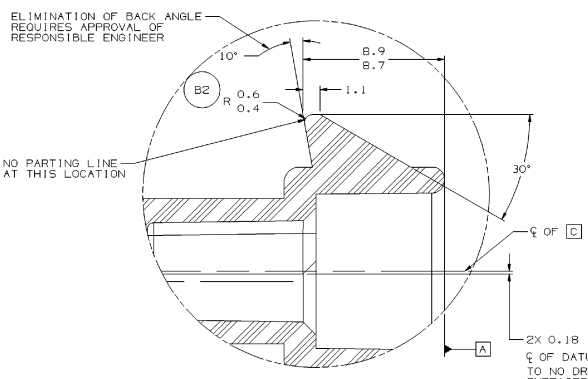
INDEX DIMENSIONS SAME AS OPTION A SEE SECTION A-A, C-C



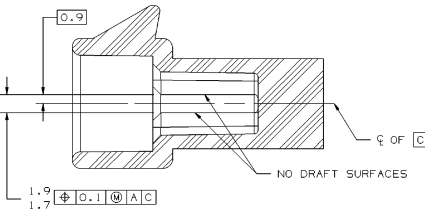
150-S-002-1-D04
(OPTION D)

INDEX DIMENSIONS SAME AS OPTION A SEE SECTION A-A, C-C

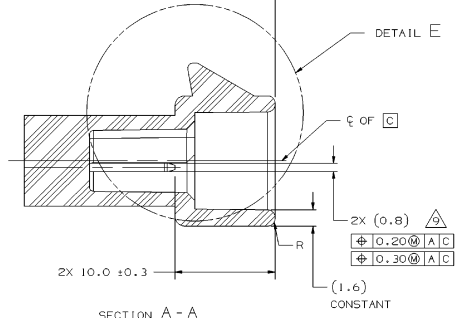
EWCAP P/N	OPTION	MATING CONNECTOR COLOR
150-S-002-1-D04	D	GREEN
150-S-002-1-C04	C	BROWN
150-S-002-1-B04	B	GREY
150-S-002-1-A04	A	BLACK



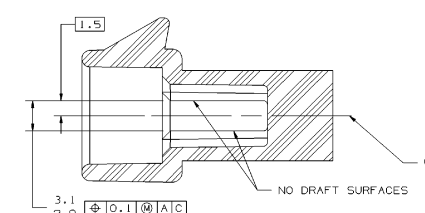
DETAIL E
SCALE 8:1



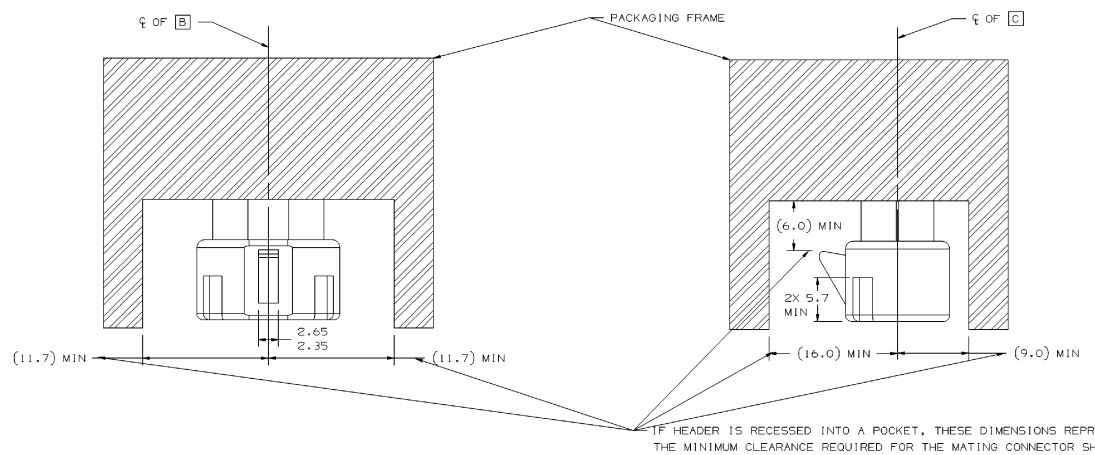
SECTION BB-BB



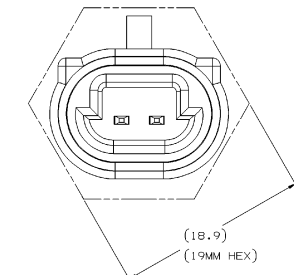
SECTION A-A



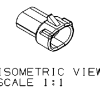
SECTION BD-BD



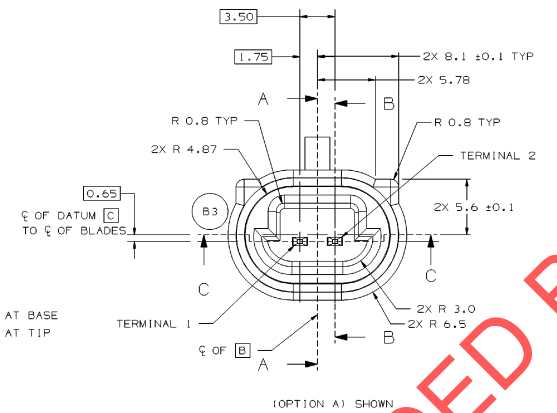
IF HEADER IS RECESSED INTO A POCKET, THESE DIMENSIONS REPRESENT THE MINIMUM CLEARANCE REQUIRED FOR THE MATING CONNECTOR SHROUD



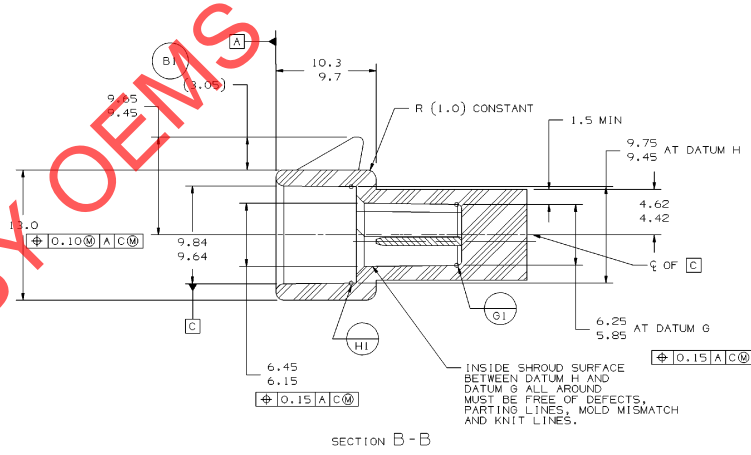
REFERENCE FOR PACKAGING HEXAGONAL SENSOR/ACTUATOR



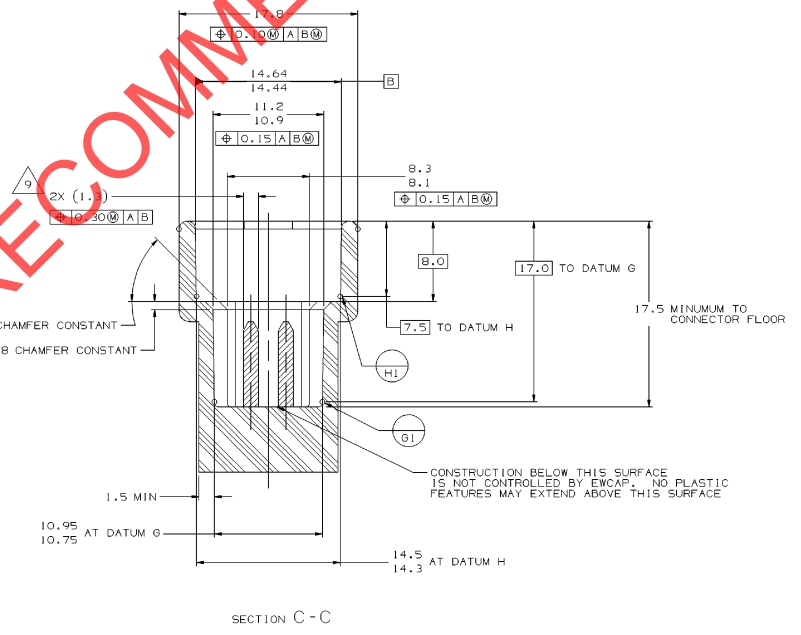
ISOMETRIC VIEW
SCALE 1:1



(OPTION A) SHOWN



SECTION B-B



SECTION C-C

NOT RECOMMENDED BY OEMS

- NOTES:
- ALL DIMENSIONS SHOWN IN MILLIMETERS.
 - DIMENSIONING AND TOLERANCING PER ASME Y14.5M-1994.
 - RADIi ON ALL CORNERS SHOWN SHARP OR ALL UNSPECIFIED RADII: 0.25 EXCEPT AS NOTED.
 - REFER TO "SAE/USCAR-12 CONNECTOR DESIGN GUIDELINES FOR ADDITIONAL INFORMATION."
 - RECOMMENDED COLORS FOR POLARIZATION - DEVIATION REQUIRES APPROVAL OF AUTHORIZED PERSON.
 - SECTION LINES ARE COMMON TO ALL OPTIONS.
 - DIMENSIONS IN () ARE FOR REFERENCE.
 - 1° DRAFT MAX ON OUTSIDE SURFACES PERMISSIBLE WITHIN ALLOWABLE TOLERANCE.
 - FOR BLADE GEOMETRIC AND PLATING REQUIREMENTS, REFER TO EWCAP DWS. NO. EWCAP-001, DETAIL 150-1001

SECTION	LINE	DESCRIPTION	DATE	BY	CHK
B3	ADJUSTED SECTION				
B2	DETAIL E R 0.6/0.4 WAS				
O62	SECTION B-B				
A	RELEASED				

DATE	BY	CHK
08.2004	JC	JJ

DATE	BY	CHK
08.2004	JC	JJ

DATE	BY	CHK
08.2004	JC	JJ

DATE	BY	CHK
08.2004	JC	JJ

DELPHI
CONNECTION SYSTEMS

DATE	BY	CHK
08.2004	JC	JJ

DATE	BY	CHK
08.2004	JC	JJ

DATE	BY	CHK
08.2004	JC	JJ

150-S-002-1-A04