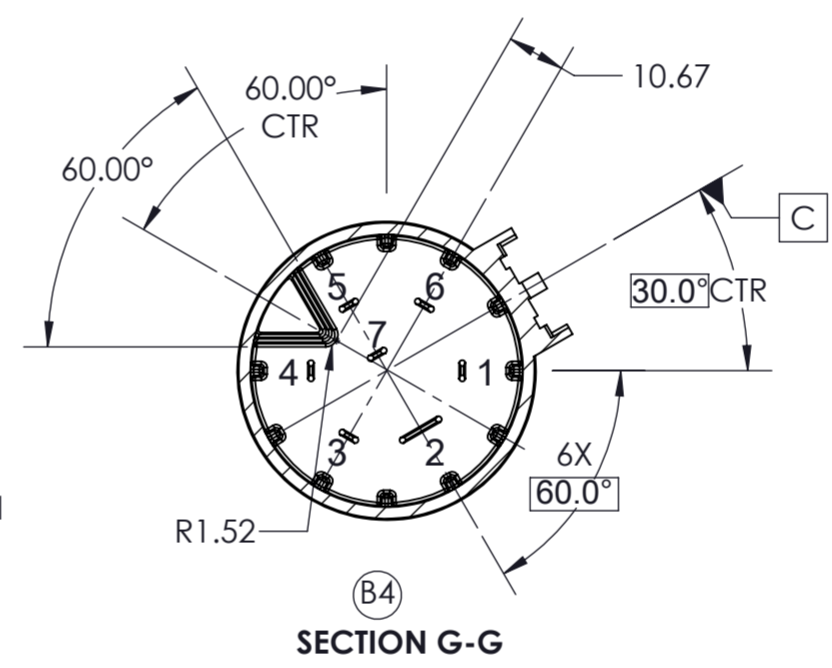
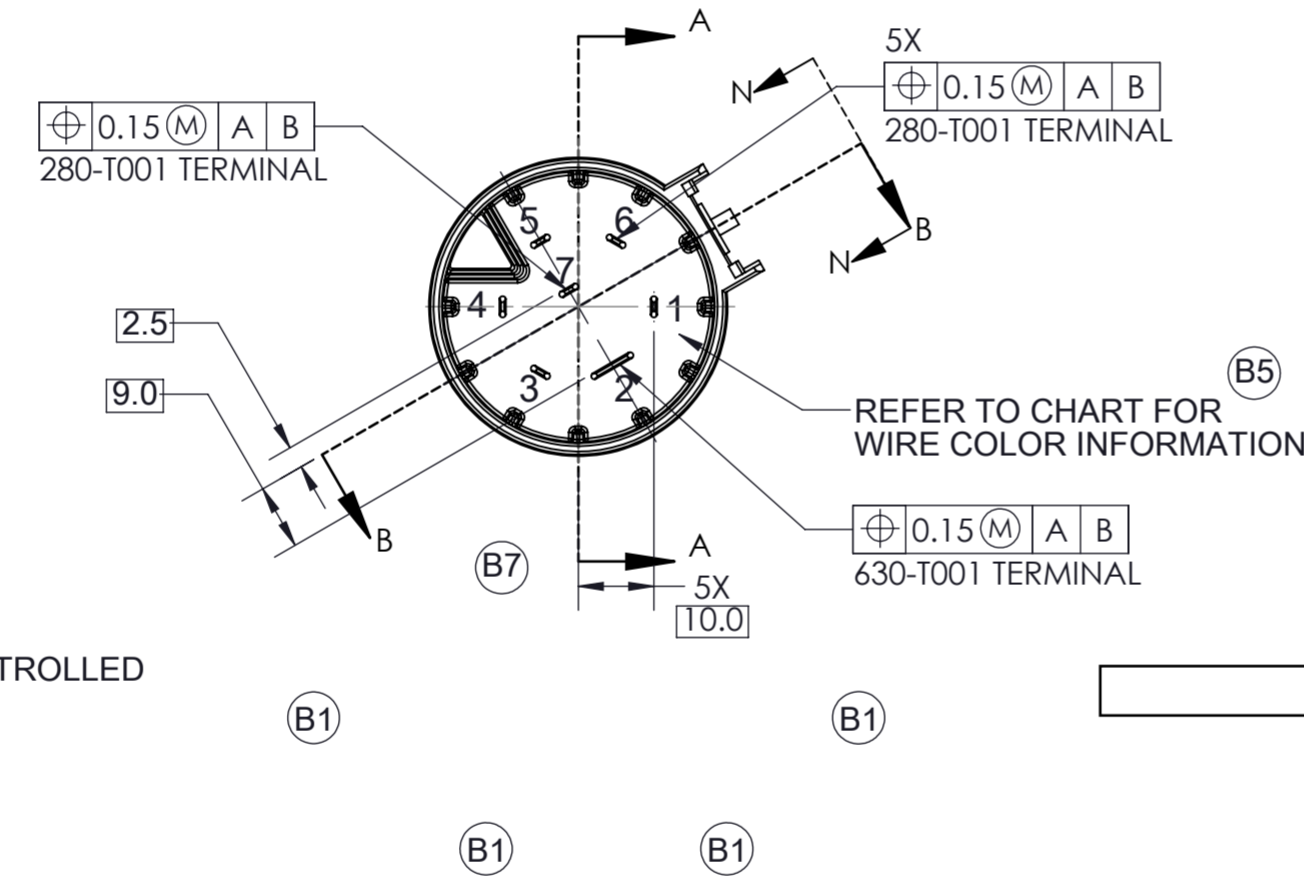
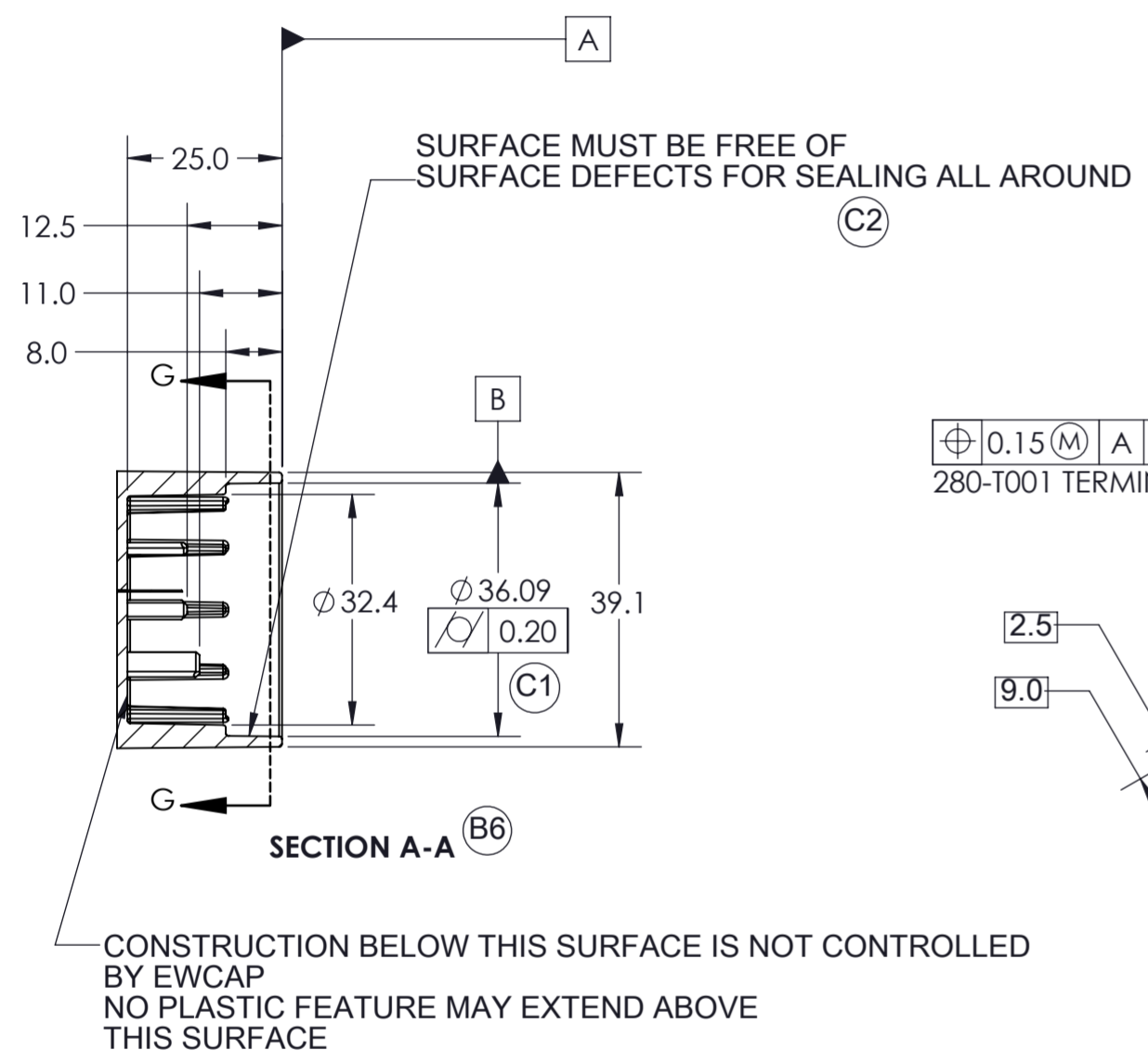
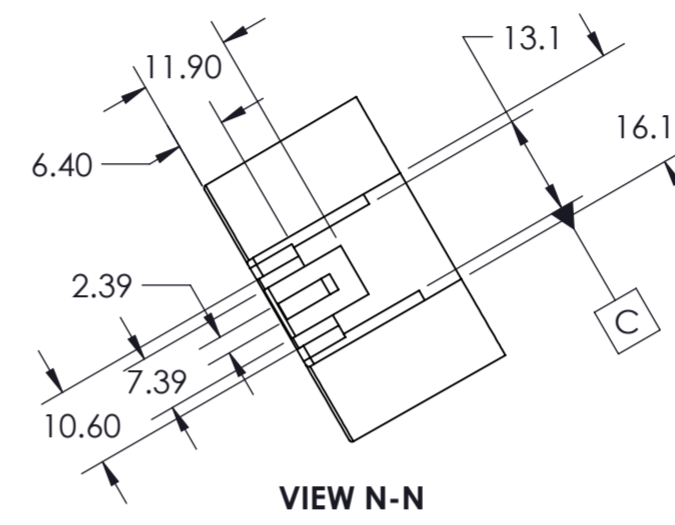
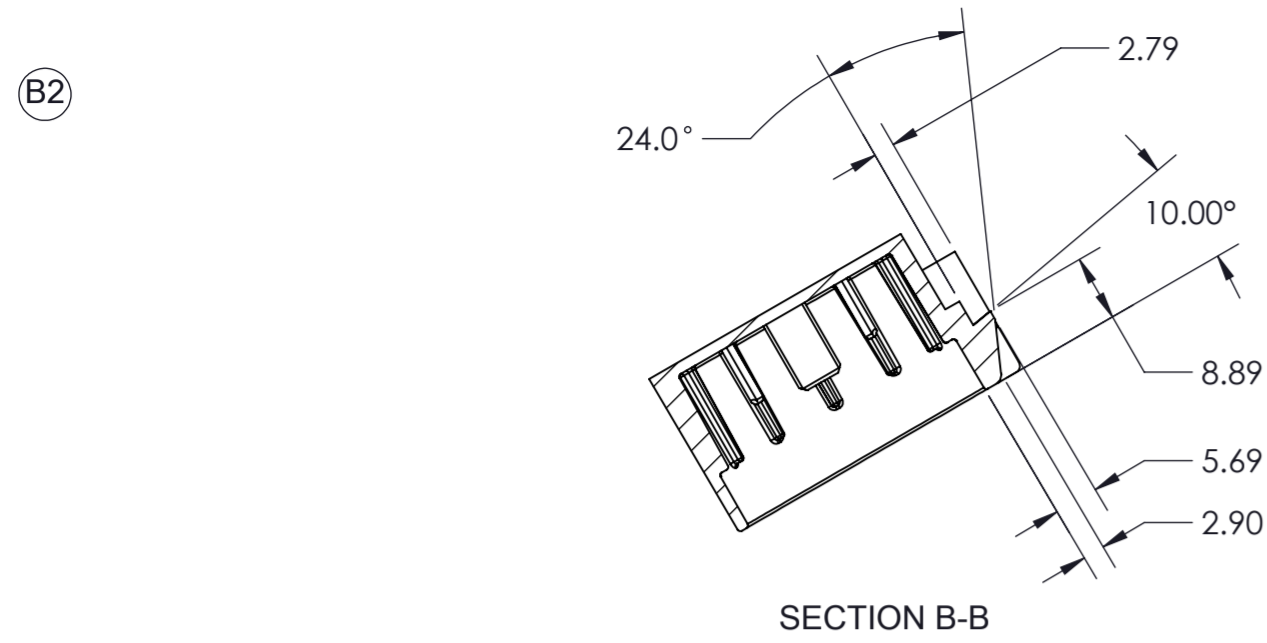


NOTICE:
This drawing, or portions of it are controlled by the Electrical Wiring Components Application Partnership (EWCAP) a subgroup of the United States Council for Automotive Research LLC (USCAR LLC).

USCAR is an LLC consisting of members from FCA US LLC, Ford Motor Company and GM Corporation.

Any change to a EWCAP controlled portion of this drawing, including a revision record change must be approved, in writing, by the responsible EWCAP representative from each USCAR member company. Each EWCAP representative authorized to sign for his or her member company is responsible for obtaining all necessary approvals within that company prior to signing for the approval of the change.

EWCAP expressly prohibits any party from changing either any EWCAP controlled portion of this drawing or any associated tooling before receiving approval, signed by the authorized representatives, of the USCAR member companies. Reference to the signed change notice must be entered in the drawing control column.



WIRE COLOR REFERENCE CHART

POSITION	DESCRIPTION	WIRE COLOR
1	LEFT TURN/STOP	YELLOW
2	GROUND (-)	WHITE
3	ELECTRIC BRAKES	BLUE
4	RIGHT TURN/STOP	GREEN
5	BATTERY (+)	ORANGE
6	RUNNING LIGHTS	BROWN
7	REVERSE LIGHTS	GREY



- NOTES:
- ALL DIMENSIONS SHOWN IN MILLIMETERS.
 - DIMENSIONING AND TOLERANCING PER ASME Y14.5M-1994.
 - STANDARD COLORS FOR POLARIZATIONS (SEE CHART). DEVIATION REQUIRES APPROVAL OF AUTHORIZED PERSON.
 - RADI ON ALL CORNERS SHOWN SHARP OR UNSPECIFIED RADI, 0.25 MAX EXCEPT AS NOTED.
 - A FULL SHROUD OF THE MATING CONNECTOR IS REQUIRED TO INSURE THAT CONNECTOR-HEADER POLARIZATION FEATURES WILL FUNCTION. THE FULL SHROUD ALSO PREVENTS SCOOP DAMAGE TO THE HEADER PINS. REFER TO "SAE/USCAR-12 CONNECTOR DESIGN GUIDELINES" FOR ADDITIONAL INFORMATION.
 - EXCEPT WHERE NOTED, DRAFT ON OUTSIDE SURFACE IS PERMISSABLE WITHIN ALLOWABLE TOLERANCE.
 - CONNECTOR MUST PASS ALL TEST SECTIONS OF "SAE/USCAR-2."
 - REFER TO EWCAP-001 DRAWING FOR MALE BLADE DETAIL. THIS DRAWING MAY BE DOWNLOADED FROM EWCAP CATALOG LOCATED ON USCAR WEBSITE (WWW.USCAR.ORG).
 - TERMINAL PLATING/COATING SHALL BE LEAD FREE TIN. SEE EWCAP-001 DRAWING FOR PLATING/COATING OPTIONS.
 - DIMENSIONAL, MATERIAL, OR PLATING/COATING FROM EWCAP-001 (BLADE DRAWING) MUST BE APPROVED BY THE RESPONSIBLE ENGINEER.

115	D	REDRAWN	160219	DAP	RCB
CN087	C	ADDED NOTES FOR SEALING SURFACE 0.20 WAS 0.07	110218	RD	MO
	B9	REMOVED TERMINAL NOTES			
	B8	ADDED MALE BLADE NOTES 8 THRU 10			
	B7	ADDED GD&T FOR TERMINAL POSITIONS			
	B6	REVISED GD&T SECTION A-A			
	B5	ADDED TERMINAL REFERENCE CHART			
	B4	ADDED SECTION G-G			
	B3	ADDED NOTES 4 THRU 8			
	B2	REMOVED VIEW	081203	AR	AR
	B1	REMOVED TERMINAL X-SECTIONS			
-	A	INITIAL RELEASE	000615	MAC	SRD
CHANGE SERIAL NUMBER	LET	REVISION RECORD	DATE	DWN	CHK
TOLERANCES (UNLESS OTHERWISE SPECIFIED)			THIRD ANGLE PROJECTION		
DIMENSIONS ARE IN MILLIMETERS					
ANGLES ± 0° 30'					
LINEAR: X.X: ± 0.25; X.XX: ± 0.13					
USCAR-EWCAP					
SCALE	NONE	DRAWN BY	DARYL PATRICK	CHECKED BY	R C BURDICK
		DATE	2/19/2016		
INTERFACE B - 7 WAY TRAILER TOW CONNECTOR					
SHEET	1 of 1	DRAWING NUMBER	999-S-007-3-A01	SIZE	A2
		DO NOT SCALE DRAWING	COMPUTER AIDED DRAWING	REVISION LEVEL	D