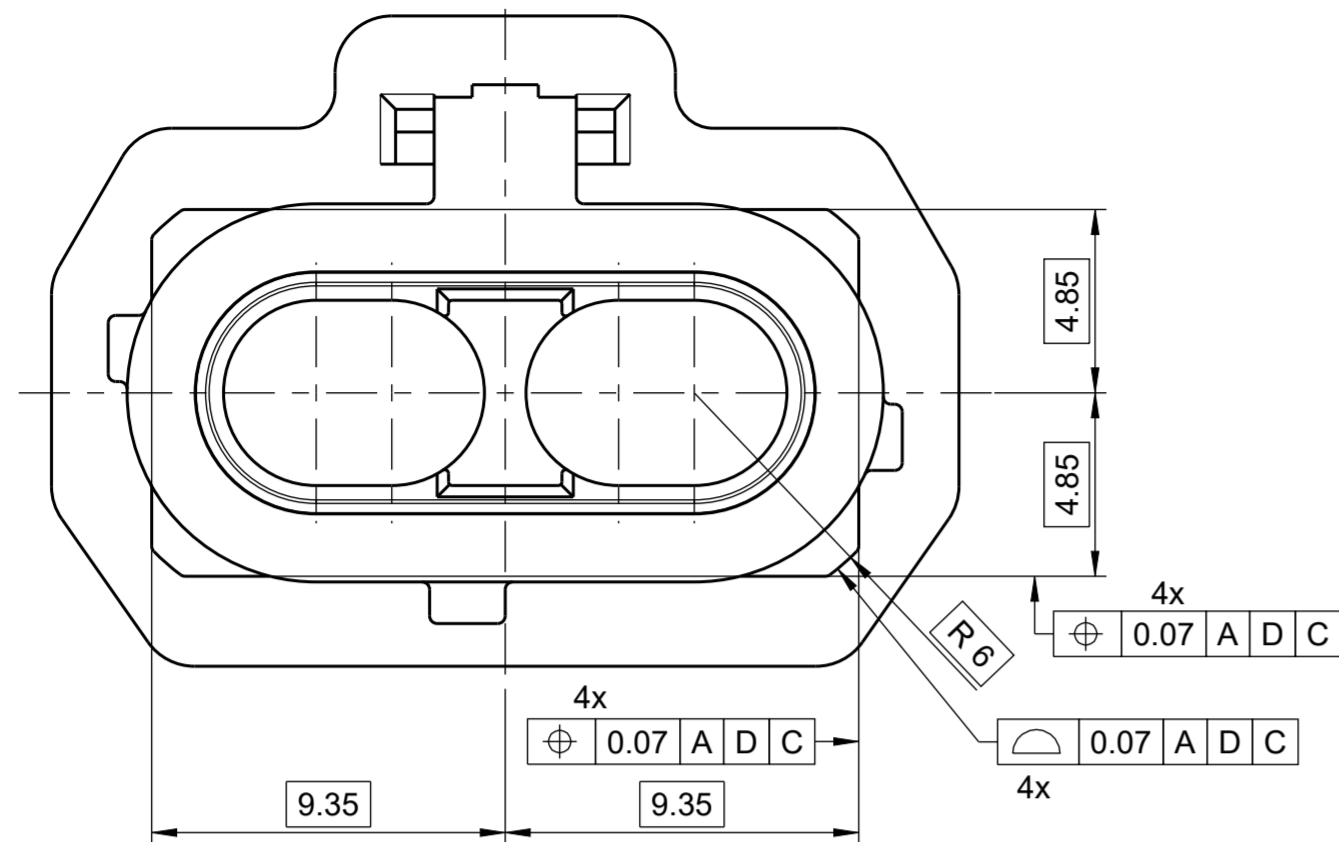
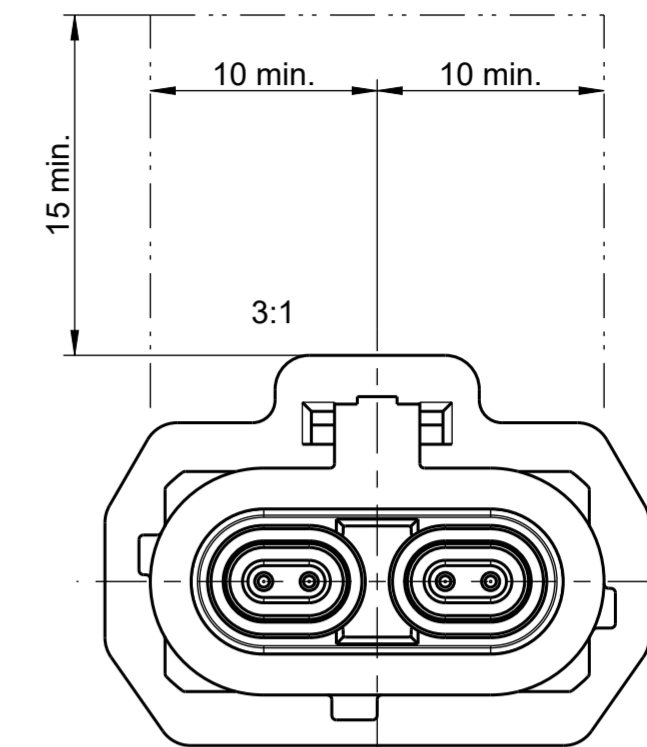


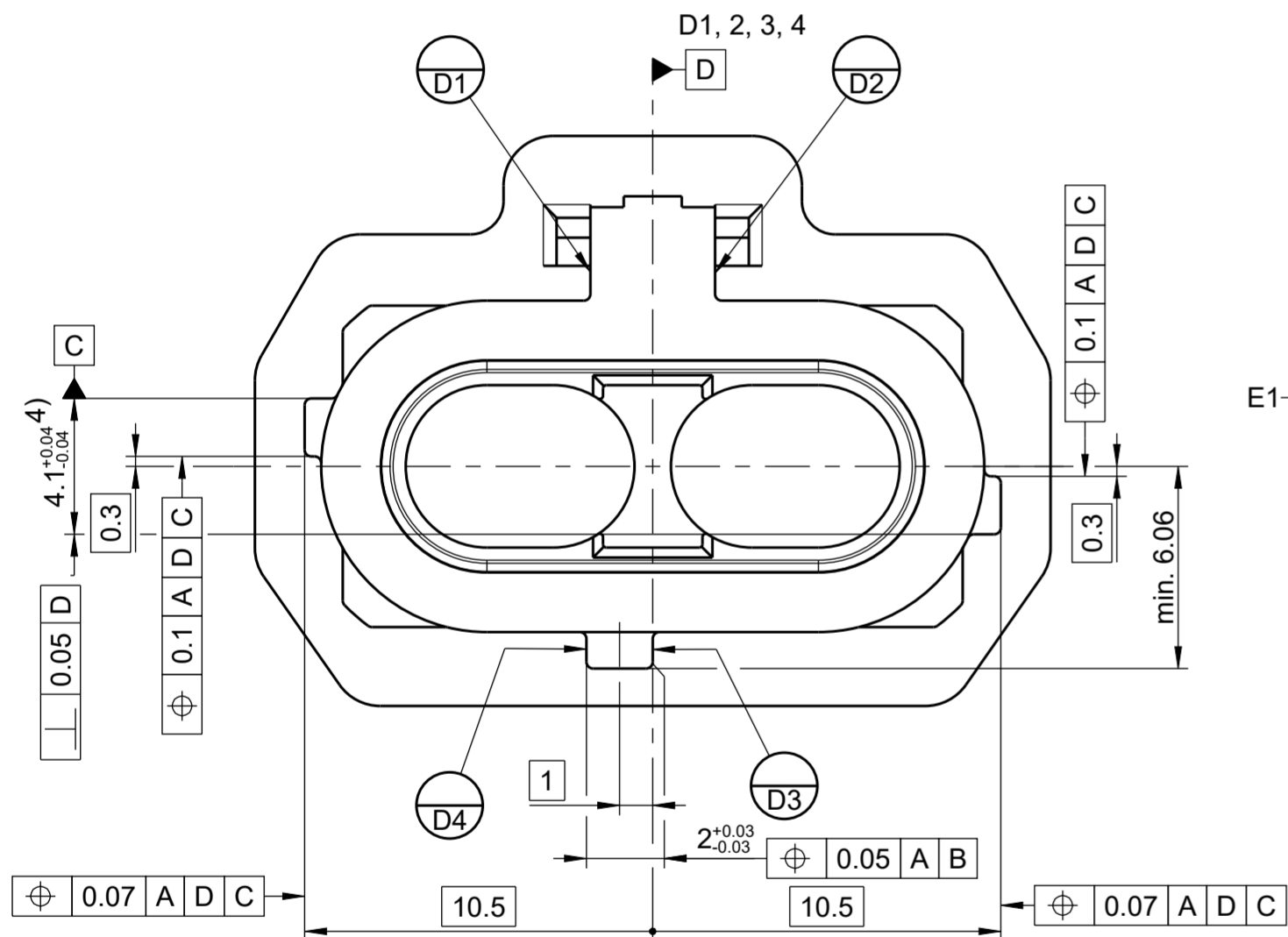
CODING



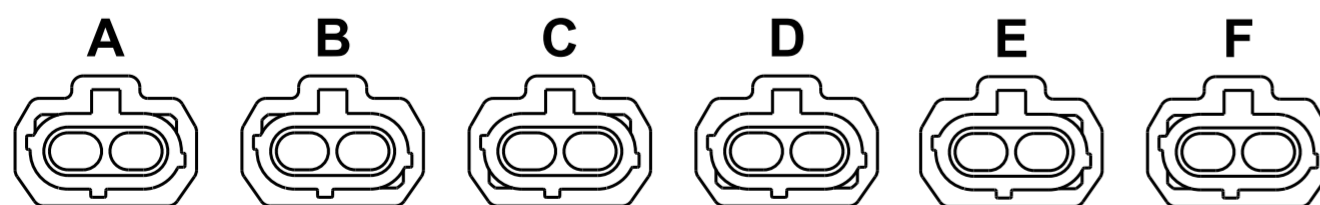
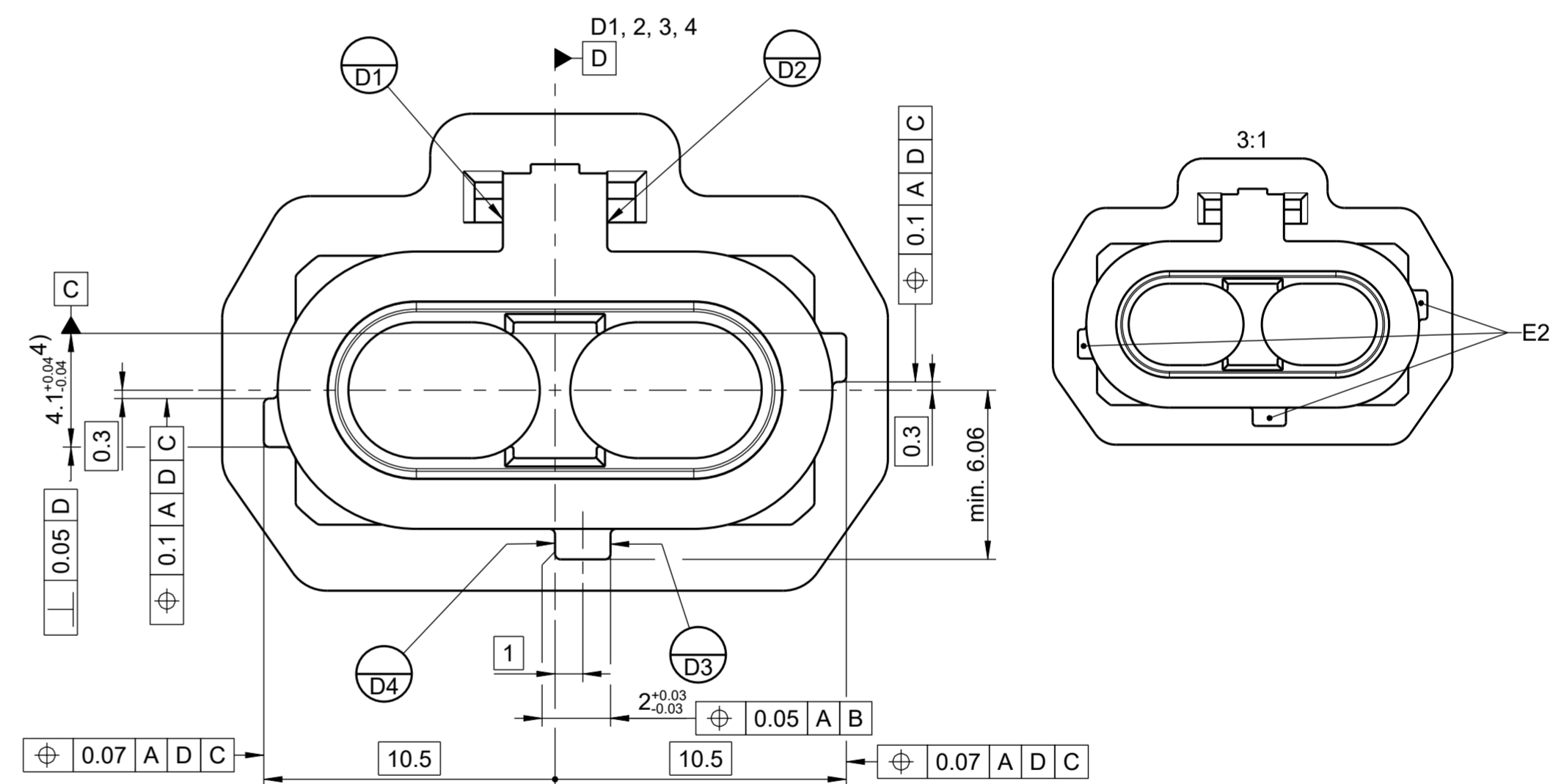
REQUIRED SPACE FOR ACTUATION



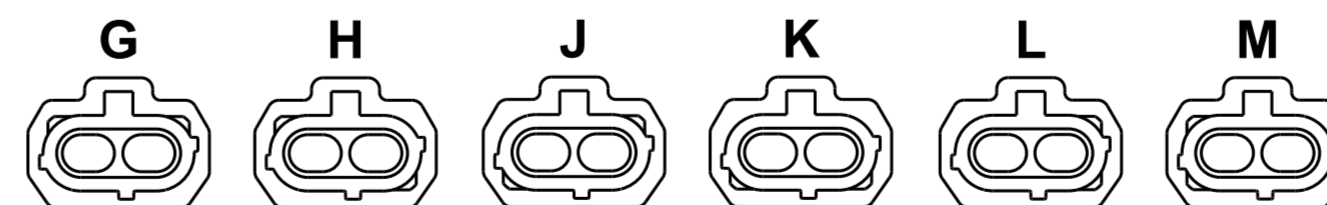
GUIDANCE E1



GUIDANCE E2



EWCAP REF #	CODE	KEY	Farbe color	SIMILAR RAL-NO
777-S-004-1-A01	A	a-b-E1	JET BLACK	9005
777-S-004-1-B01	B	a-c-E1	PURE WHITE	9010
777-S-004-1-C01	C	b-d-E1	LIGHT BLUE	5012
777-S-004-1-D01	D	c-d-E1	CLARET VIOLET	4004
777-S-004-1-E01	E	b-c-E1	MAY GREEN	6017
777-S-004-1-F01	F	a-d-E1	NUT BROWN	8011



EWCAP REF #	CODE	KEY	Farbe color	SIMILAR RAL-NO
777-S-004-1-G01	G	a-b-E2	PLATINUM GREY	7036
777-S-004-1-H01	H	a-c-E2	LIGHT PINK	3015
777-S-004-1-J01	J	b-d-E2	BEIGE	1001
777-S-004-1-K01	K	c-d-E2	CURRY	1027
777-S-004-1-L01	L	b-c-E2	YELLOW GREEN	6018
777-S-004-1-M01	M	a-d-E2	PASTEL ORANGE	2003

Rosenberger

D-84526 Tittmoning
Germany

TOLERANCES (UNLESS OTHERWISE SPECIFIED)		THIRD ANGLE PROJECTION	
DIMENSIONS ARE IN MILLIMETERS			
DIMENSIONING AND TOLERANCE IN ACCORDANCE WITH ASME Y14.5-2009			

USCAR-EWCAP

SCALE: 5:1	DRAWN BY: S. STROM	CHECKED BY: P. SCHROEDER	DATE: 02/07/22
------------	--------------------	--------------------------	----------------

TITLE
10GB ETHERNET CONNECTOR.
100 OHM DIFFERENTIAL PAIR. DOUBLE INTERFACE WATERPROOF.

SHEET: 2 of 3	DRAWING NUMBER: 777-S-004-1-Z01	SIZE: A2	DO NOT SCALE DRAWING COMPUTER AIDED DRAWING	REVISION LEVEL: A
---------------	---------------------------------	----------	--	-------------------

NOTICE

EWCAP HAS SELECTED COMMON DIMENSIONS FOR THE CONNECTOR(S) DEPICTED AND DESCRIBED HEREIN (LISTED BELOW). FURTHER, EWCAP HAS SELECTED FOR PUBLICATION THIS DRAWING (AND ITS COMPANION ELECTRONIC MODEL) PREPARED BY ROSENBERGER AS REPRESENTATIVE OF A CONNECTOR HAVING THESE DIMENSIONS. IN EXCHANGE FOR THE CONSIDERATION OF THE SELECTION OF THIS DRAWING FOR PUBLICATION (INCLUDING POSTING ON EWCAP'S WEB SITE) AND OTHER GOOD AND VALUABLE CONSIDERATION FLOWING FROM THIS SECTION, ROSENBERGER HEREBY AGREES ON BEHALF OF ITSELF AND ITS SUCCESSORS AND ASSIGNS, WITH RESPECT TO ANY COPYRIGHTS IT MAY HAVE IN THIS DRAWING AS WELL AS ANY PATENT RIGHTS IT MAY HAVE IN THE CONNECTOR ILLUSTRATED IN THIS DRAWING, NOT TO ENFORCE SUCH COPYRIGHTS AND PATENTS AGAINST ANY PERSON OR ENTITY ON ACCOUNT OF THEIR ACTIVITIES TO MAKE, HAVE MADE, USE AND SELL THE CONNECTOR ILLUSTRATED IN THIS DRAWING FOR VEHICULAR APPLICATIONS. THE TERM "CONNECTOR" AS USED IN THIS PARAGRAPH IS LIMITED SOLELY TO THE STRUCTURE SPECIFICALLY ILLUSTRATED IN THIS DRAWING.

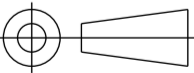
SIGNED M. ZEBHAUSER FOR ROSENBERGER. DATE: 02/07/22
 NAME AND TITLE OF SIGNER: M. ZEBHAUSER

THE PERSON SIGNING THIS AGREEMENT REPRESENTS AND WARRANTS THAT (1) HE OR SHE IS DULY AUTHORIZED AND HAS LEGAL CAPACITY TO EXECUTE AND DELIVER AGREEMENT ON BEHALF OF ROSENBERGER, (2) THE EXECUTION AND DELIVERY OF THIS AGREEMENT AND THE PERFORMANCE OF ROSENBERGER PURSUANT TO THE TERMS OUTLINED ABOVE HAVE BEEN DULY AUTHORIZED AND THAT THIS AGREEMENT IS A VALID AND LEGAL AGREEMENT BINDING ON FEBRUARY 7, 2022 AND ENFORCEMENT IN ACCORDANCE WITH ITS TERMS.

NO WARRANTIES OR INDEMNITIES OF ANY KIND ARE MADE OR IMPLIED BY ROSENBERGER OR EWCAP. IN PARTICULAR THERE ARE NO EXPRESS OR IMPLIED WARRANTIES OF FITNESS FOR A PARTICULAR PURPOSE, MERCHANTABILITY, NON-INFRINGEMENT OR ANY OTHER WARRANTY OF ANY KIND. IN ADDITION, THERE ARE NO EXPRESS OR IMPLIED WARRANTIES OR INDEMNITIES OF ANY KIND RELATING TO THIRD PARTY CLAIMS ARISING UNDER THE INTELLECTUAL PROPERTY LAWS OF ANY COUNTRY. ANYONE USING THE INFORMATION IN THIS DRAWING DOES SO AT THEIR OWN RISK.

APPLICABLE EWCAP DRAWING NUMBERS:
 777-U-002-1-Z01

Rosenberger
 D-84526 Tittmoning
 Germany

TOLERANCES (UNLESS OTHERWISE SPECIFIED)		THIRD ANGLE PROJECTION	
DIMENSIONS ARE IN MILLIMETERS			
DIMENSIONING AND TOLERANCE IN ACCORDANCE WITH ASME Y14.5-2009			
<i>USCAR-EWCAP</i>			
SCALE	DRAWN BY	CHECKED BY	DATE
---	S. STROM	P. SCHROEDER	02/07/22
TITLE			
10GB ETHERNET CONNECTOR. 100 OHM DIFFERENTIAL PAIR. DOUBLE INTERFACE WATERPROOF.			
SHEET	DRAWING NUMBER	SIZE	REVISION LEVEL
3 of 3	777-S-004-1-Z01	A2	A
		DO NOT SCALE DRAWING	COMPUTER AIDED DRAWING