

CONSTRUCTION BEYOND THIS LINE IS NOT CONTROLLED BY EWCAP

RECOMMENDED MATERIAL PROPERTIES	
COMPONENT	PLASTIC HOUSING
TENSILE MODULUS	min. 6500 MPa
ELONGATION AT BREAK	min. 2 %
TENSILE STRENGTH BREAK	min. 100 MPa

- NOTES:
- 1) BASE DOCUMENT FOR THE CONTACT IS THE USCAR DRAWING: 777-U-002-1-Z01 (SHEET 3)
 - 2) ○ = NUMBER FOR PINNING
 - 3) ALL NON-DIMENSIONED RADII [R0.2] AND [0.08] IN THE SAME REFERENCE SYSTEM AS NEIGHBORING PLANES.
 - 4) MEASURE WITHIN REFERENCE SYSTEM [A D]
 - 5) SEALING SURFACE TO BE FREE OF SURFACE FLAWS
 - 6) ESCAPE PATH FOR CONDENSATION IS REQUIRED BUT NOT SHOWN
 - 7) ON A FLEXIBLE 2-PIECE DESIGN CHANGE TO [0.06 A] [0.35 A D C-C]
 - 8) REQUIRED CIRCULATING WITHIN DATUM SYSTEM [A D C-C]
 - 9) MAX. ALLOWED WARPAGE FOR THESE DIMENSIONS ACC. TO DIMENSION MIN. 14.4

NOTICE:
This drawing, or portions of it are controlled by the Electrical Wiring Components Application Partnership(EWCAP) a subgroup of the United States Council for Automotive Research LLC (USCAR LLC).

USCAR is an LLC consisting of members from FCA US LLC, Ford Motor Company and GM Corporation.

Any change to a EWCAP controlled portion of this drawing, including a revision record change must be approved, in writing, by the responsible EWCAP representative from each USCAR member company. Each EWCAP representative authorized to sign for his or her member company is responsible for obtaining all necessary approvals within that company prior to signing for the approval of the change.

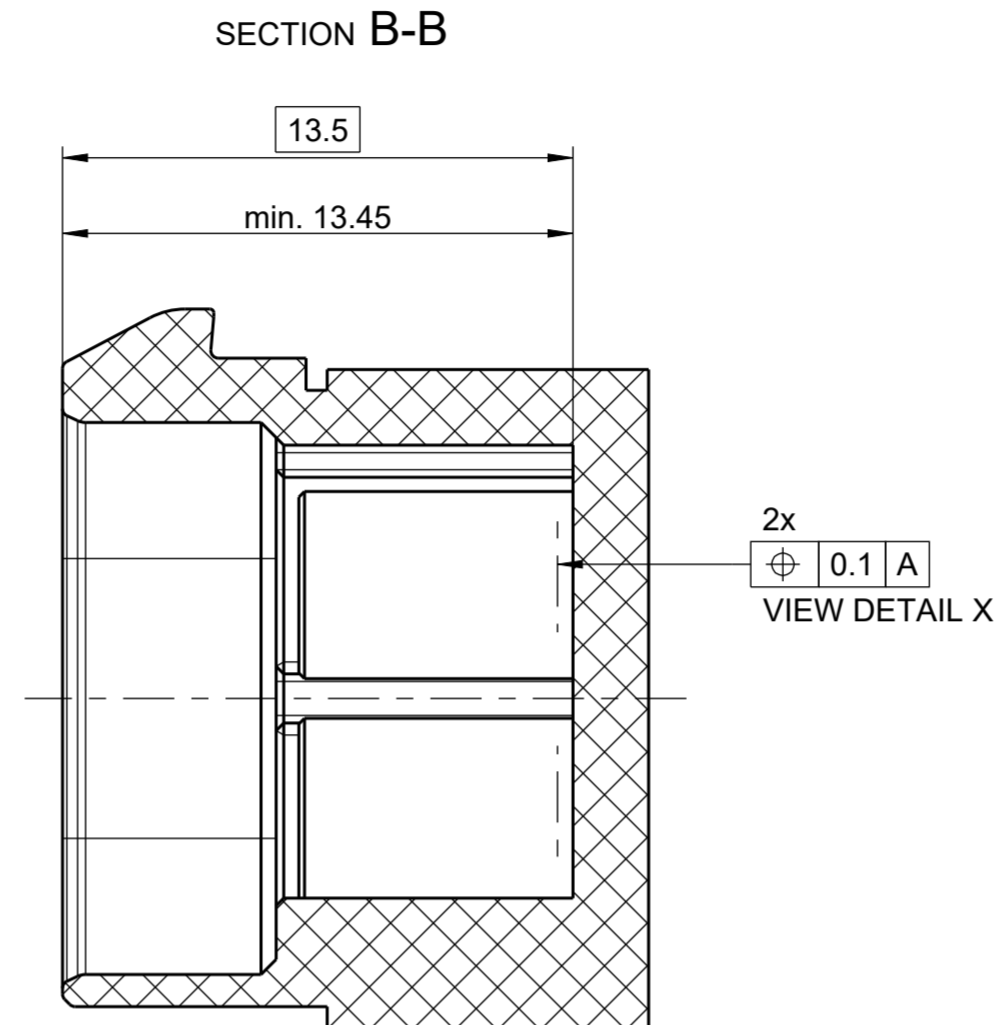
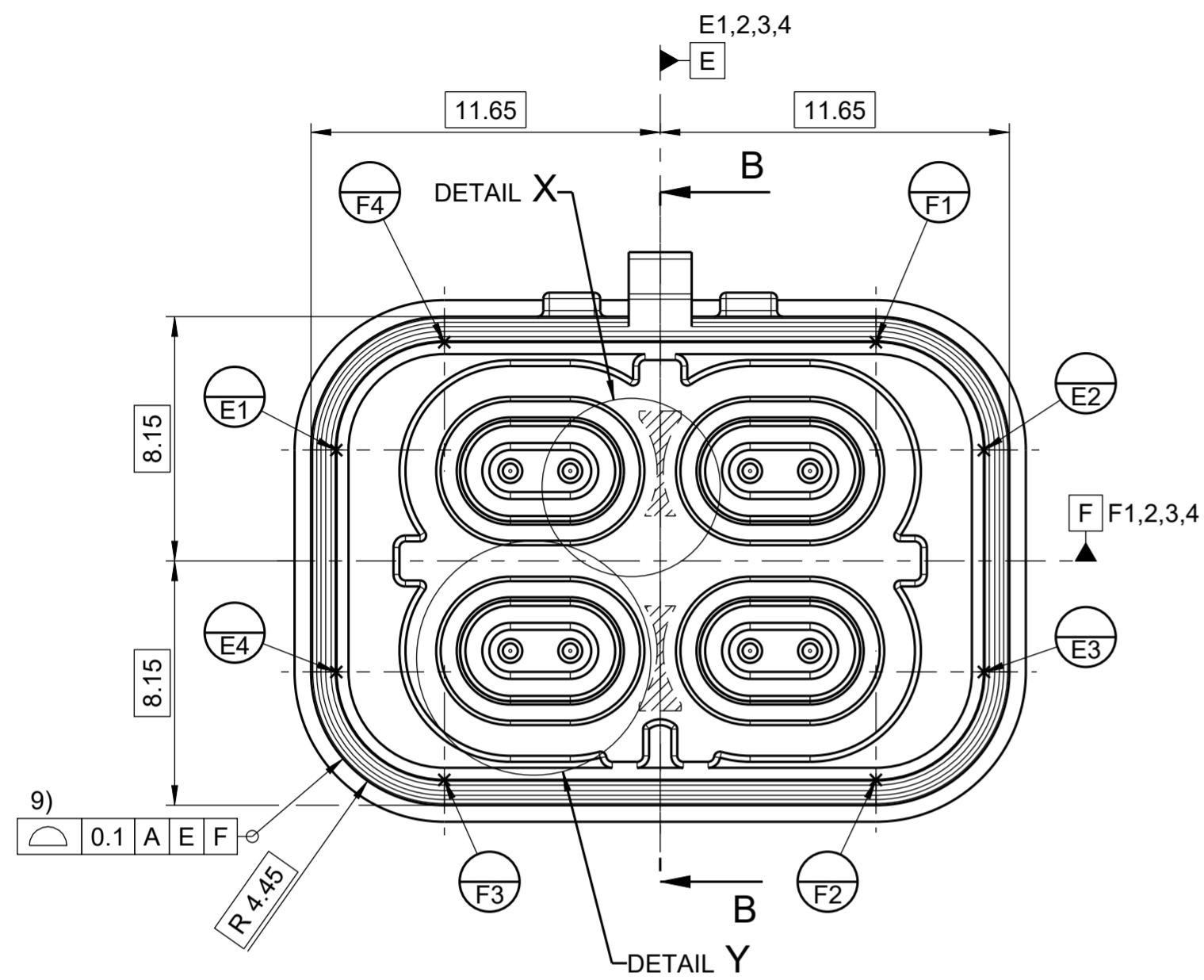
EWCAP expressly prohibits any party from changing either any EWCAP controlled portion of this drawing or any associated tooling before receiving approval, signed by the authorized representatives, of the USCAR member companies. Reference to the signed change notice must be entered in the drawing control column.

CHANGE SERIAL NUMBER	A	INITIAL RELEASE	02/01/22	DATE	DWN	CHK
LET		REVISION RECORD				
TOLERANCES (UNLESS OTHERWISE SPECIFIED)						
DIMENSIONS ARE IN MILLIMETERS						
DIMENSIONING AND TOLERANCE IN ACCORDANCE WITH ASME Y14.5-2009						
THIRD ANGLE PROJECTION						

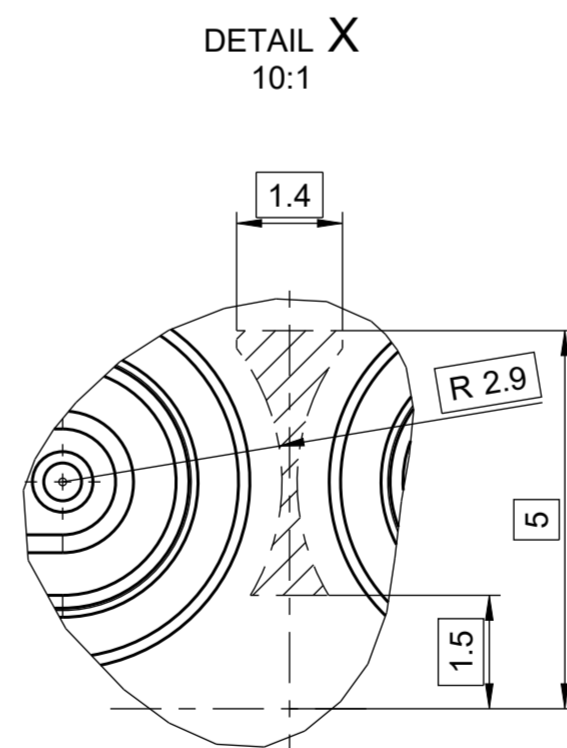
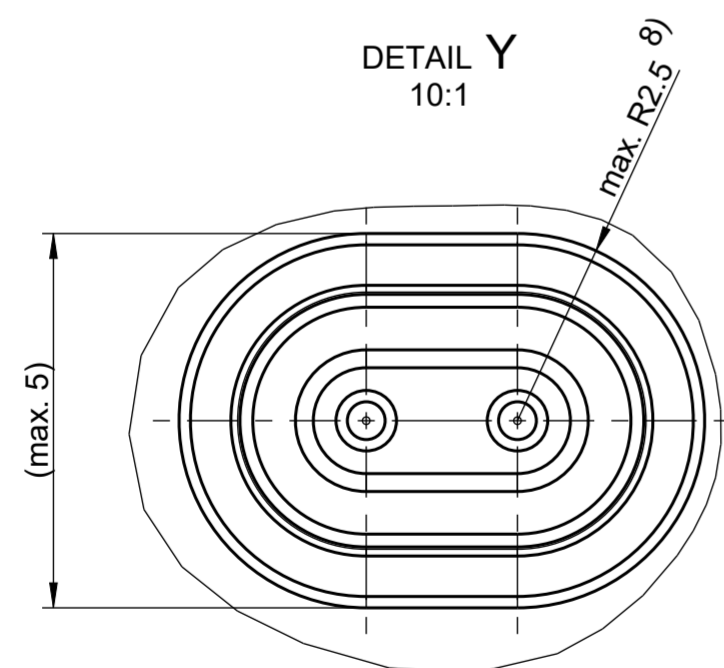
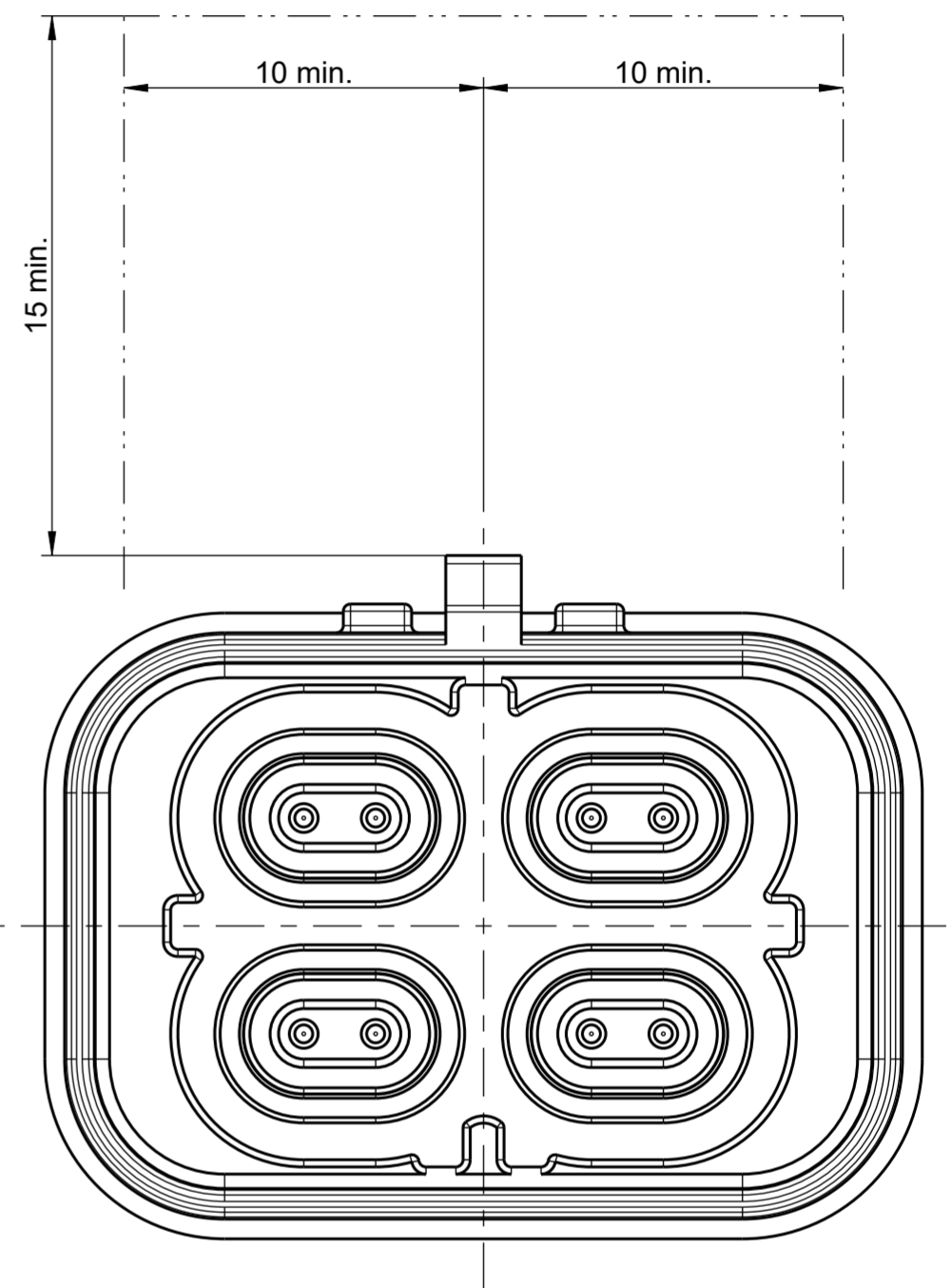
USCAR-EWCAP

SCALE	5:1	DRAWN BY	S. STROM	CHECKED BY	P. SCHROEDER	DATE	02/07/22
TITLE							
10GB ETHERNET CONNECTOR.							
100 OHM DIFFERENTIAL PAIR. QUADRUPLE INTERFACE WATERPROOF.							
SHEET	1 of 4	DRAWING NUMBER	777-S-008-2-Z01	SIZE	A2	DO NOT SCALE DRAWING	REVISION LEVEL
							A

Rosenberger
D-84526 Tittmoning
Germany



REQUIRED SPACE FOR ACTUATION



Rosenberger

D-84526 Tittmonig
Germany

TOLERANCES (UNLESS OTHERWISE SPECIFIED)		THIRD ANGLE PROJECTION	
DIMENSIONS ARE IN MILLIMETERS			
DIMENSIONING AND TOLERANCE IN ACCORDANCE WITH ASME Y14.5-2009			

USCAR-EWCAP

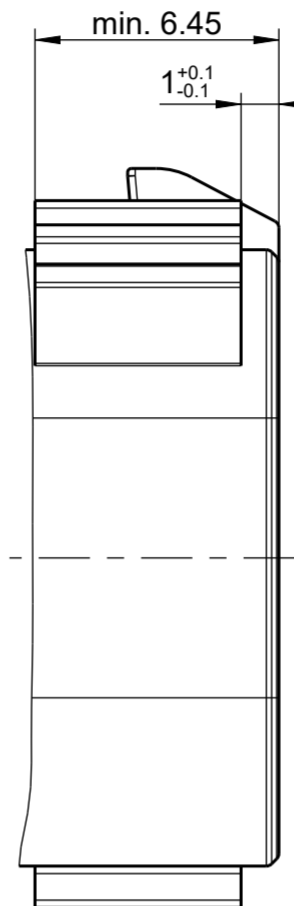
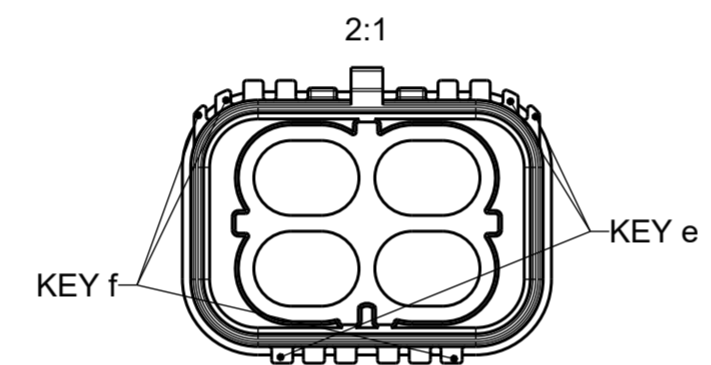
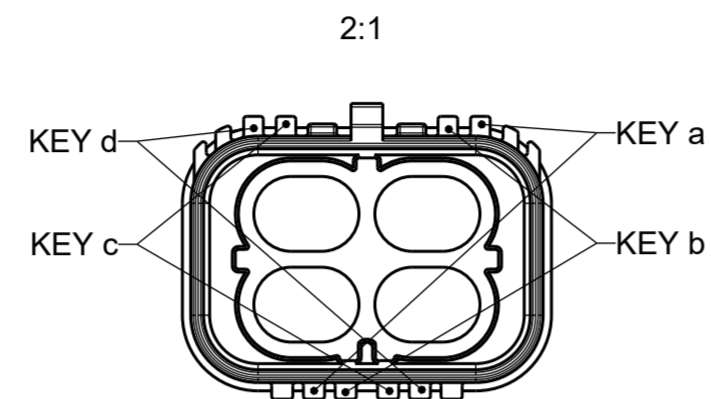
SCALE 5:1	DRAWN BY S. STROM	CHECKED BY P. SCHROEDER	DATE 02/07/22
--------------	----------------------	----------------------------	------------------

TITLE
**10GB ETHERNET CONNECTOR.
100 OHM DIFFERENTIAL PAIR. QUADRUPLE INTERFACE WATERPROOF.**

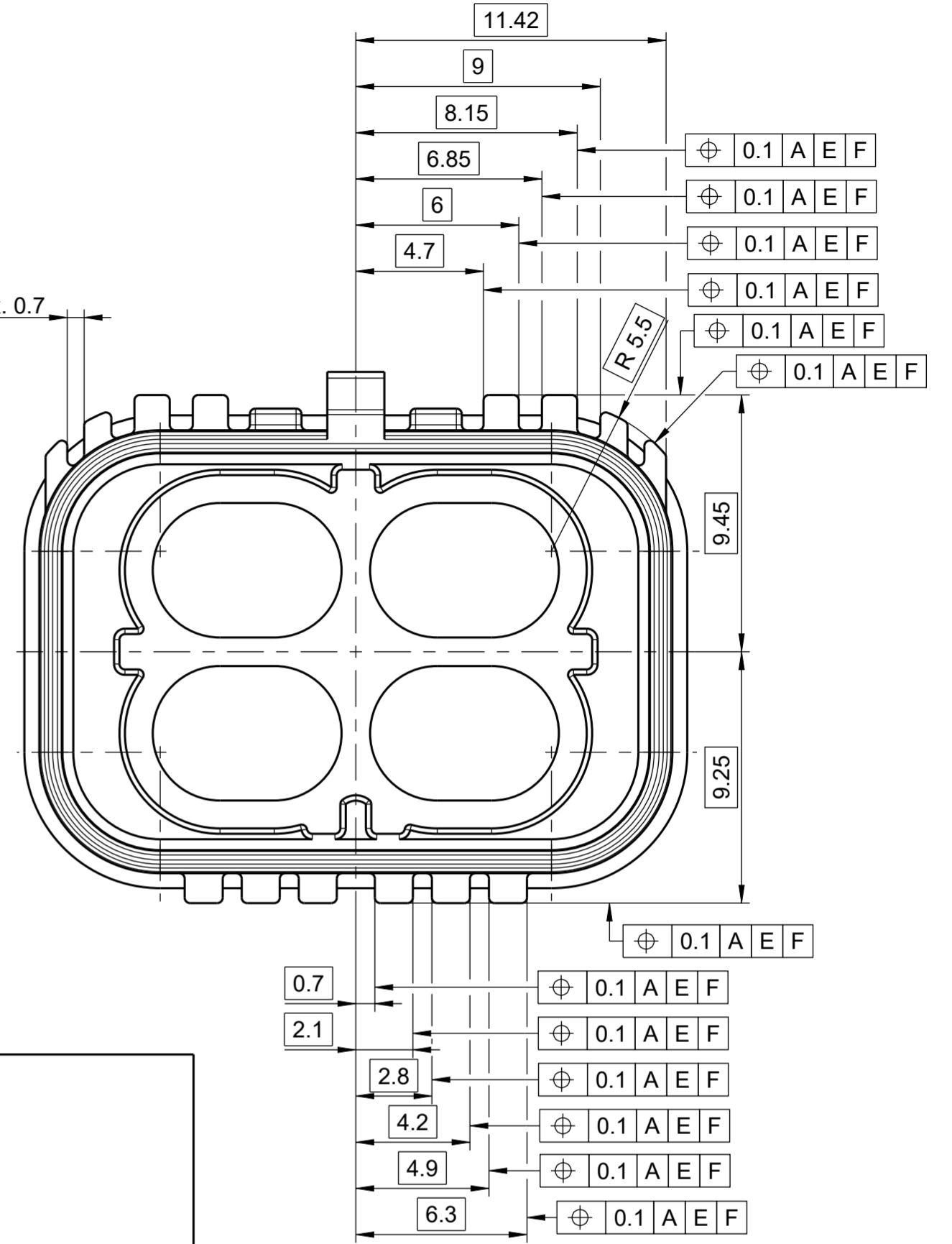
SHEET 2 of 4	DRAWING NUMBER 777-S-008-2-Z01	SIZE A2	DO NOT SCALE DRAWING COMPUTER AIDED DRAWING	REVISION LEVEL A
-----------------	-----------------------------------	------------	--	------------------------

CODING

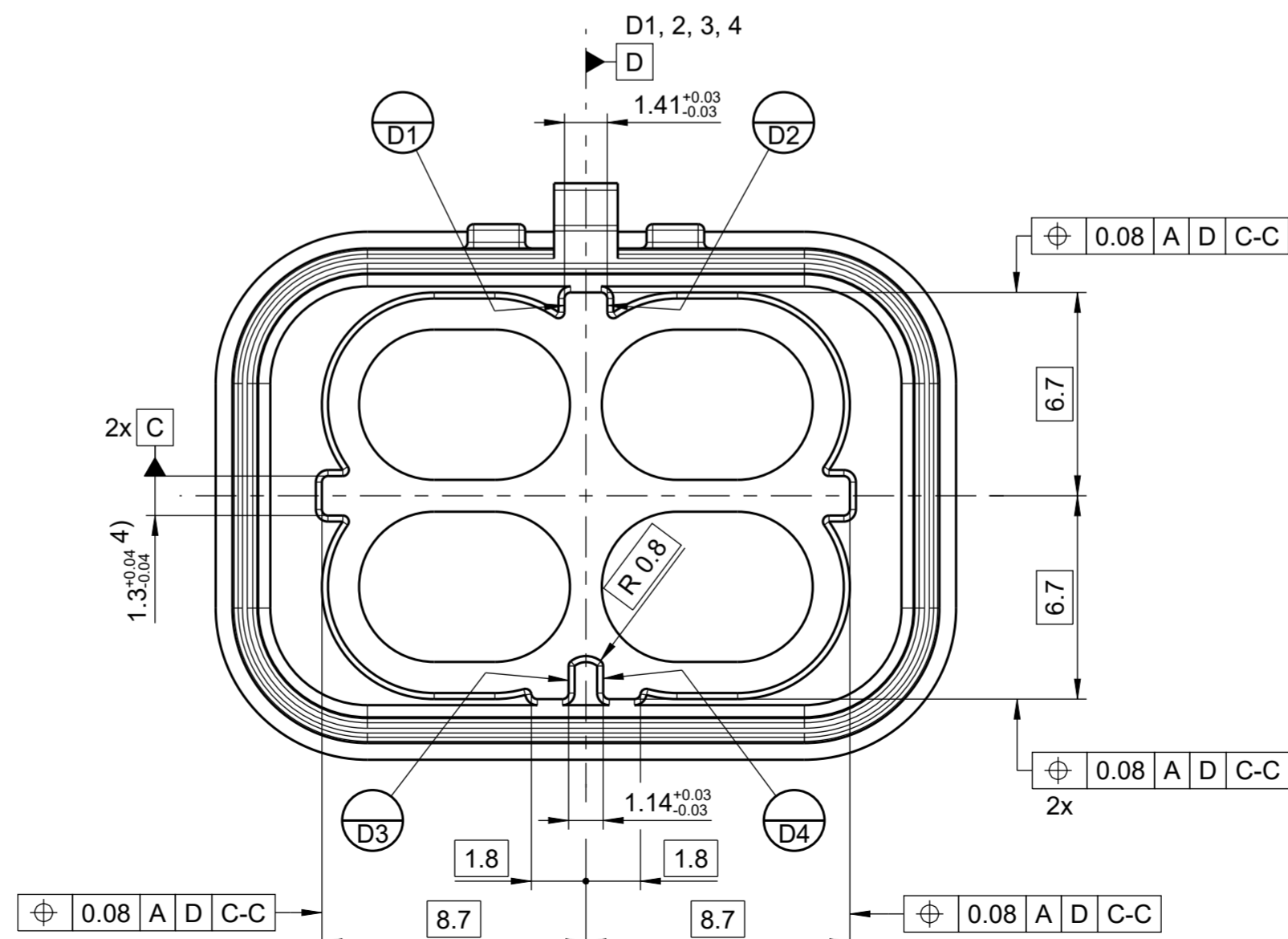
	EWCAP REF #	CODE	KEY	COLOR	SIMILAR RAL-NO
	777-S-008-2-A01	A	a-b	JET BLACK	9005
	777-S-008-2-B01	B	a-c	PURE WHITE	9010
	777-S-008-2-C01	C	a-d	LIGHT BLUE	5012
	777-S-008-2-D01	D	b-c	CLARET VIOLET	4004
	777-S-008-2-E01	E	b-d	MAY GREEN	6017
	777-S-008-2-F01	F	c-d	NUT BROWN	8011
	777-S-008-2-G01	G	a-e	PLATINUM GREY	7036
	777-S-008-2-H01	H	a-f	LIGHT PINK	3015
	777-S-008-2-J01	J	b-e	BEIGE	1001
	777-S-008-2-K01	K	b-f	CURRY	1027
	777-S-008-2-L01	L	c-e	YELLOW GREEN	6018
	777-S-008-2-M01	M	c-f	PASTEL ORANGE	2003
	777-S-008-2-N01	N	d-e	PASTEL GREEN	6019
	777-S-008-2-P01	P	d-f	CARMINE RED	3002
	777-S-008-2-R01	R	e-f	SIGNAL BLUE	5005



max. 0.7



GUIDANCE



Rosenberger

D-84526 Tittmonig
Germany

TOLERANCES (UNLESS OTHERWISE SPECIFIED)		THIRD ANGLE PROJECTION	
DIMENSIONS ARE IN MILLIMETERS			
DIMENSIONING AND TOLERANCE IN ACCORDANCE WITH ASME Y14.5-2009			

<i>USCAR-EWCAP</i>			
SCALE 5:1	DRAWN BY S. STROM	CHECKED BY P. SCHROEDER	DATE 02/07/22
TITLE 10GB ETHERNET CONNECTOR. 100 OHM DIFFERENTIAL PAIR. QUADRUPLE INTERFACE WATERPROOF.			
SHEET 3 of 4	DRAWING NUMBER 777-S-008-2-Z01	SIZE A2	DO NOT SCALE DRAWING COMPUTER AIDED DRAWING REVISION LEVEL A

NOTICE

EWCAP HAS SELECTED COMMON DIMENSIONS FOR THE CONNECTOR(S) DEPICTED AND DESCRIBED HEREIN (LISTED BELOW). FURTHER, EWCAP HAS SELECTED FOR PUBLICATION THIS DRAWING (AND ITS COMPANION ELECTRONIC MODEL) PREPARED BY ROSENBERGER AS REPRESENTATIVE OF A CONNECTOR HAVING THESE DIMENSIONS. IN EXCHANGE FOR THE CONSIDERATION OF THE SELECTION OF THIS DRAWING FOR PUBLICATION (INCLUDING POSTING ON EWCAP'S WEB SITE) AND OTHER GOOD AND VALUABLE CONSIDERATION FLOWING FROM THIS SECTION, ROSENBERGER HEREBY AGREES ON BEHALF OF ITSELF AND ITS SUCCESSORS AND ASSIGNS, WITH RESPECT TO ANY COPYRIGHTS IT MAY HAVE IN THIS DRAWING AS WELL AS ANY PATENT RIGHTS IT MAY HAVE IN THE CONNECTOR ILLUSTRATED IN THIS DRAWING, NOT TO ENFORCE SUCH COPYRIGHTS AND PATENTS AGAINST ANY PERSON OR ENTITY ON ACCOUNT OF THEIR ACTIVITIES TO MAKE, HAVE MADE, USE AND SELL THE CONNECTOR ILLUSTRATED IN THIS DRAWING FOR VEHICULAR APPLICATIONS. THE TERM "CONNECTOR" AS USED IN THIS PARAGRAPH IS LIMITED SOLELY TO THE STRUCTURE SPECIFICALLY ILLUSTRATED IN THIS DRAWING.

SIGNED M. ZEBHAUSER FOR ROSENBERGER. DATE: 02/07/22
 NAME AND TITLE OF SIGNER: M. ZEBHAUSER

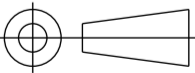
THE PERSON SIGNING THIS AGREEMENT REPRESENTS AND WARRANTS THAT (1) HE OR SHE IS DULY AUTHORIZED AND HAS LEGAL CAPACITY TO EXECUTE AND DELIVER AGREEMENT ON BEHALF OF ROSENBERGER, (2) THE EXECUTION AND DELIVERY OF THIS AGREEMENT AND THE PERFORMANCE OF ROSENBERGER PURSUANT TO THE TERMS OUTLINED ABOVE HAVE BEEN DULY AUTHORIZED AND THAT THIS AGREEMENT IS A VALID AND LEGAL AGREEMENT BINDING ON FEBRUARY 7, 2022 AND ENFORCEMENT IN ACCORDANCE WITH ITS TERMS.

NO WARRANTIES OR INDEMNITIES OF ANY KIND ARE MADE OR IMPLIED BY ROSENBERGER OR EWCAP. IN PARTICULAR THERE ARE NO EXPRESS OR IMPLIED WARRANTIES OF FITNESS FOR A PARTICULAR PURPOSE, MERCHANTABILITY, NON-INFRINGEMENT OR ANY OTHER WARRANTY OF ANY KIND. IN ADDITION, THERE ARE NO EXPRESS OR IMPLIED WARRANTIES OR INDEMNITIES OF ANY KIND RELATING TO THIRD PARTY CLAIMS ARISING UNDER THE INTELLECTUAL PROPERTY LAWS OF ANY COUNTRY. ANYONE USING THE INFORMATION IN THIS DRAWING DOES SO AT THEIR OWN RISK.

APPLICABLE EWCAP DRAWING NUMBERS:
 777-U-002-1-Z01

Rosenberger

D-84526 Tittmoning
 Germany

TOLERANCES (UNLESS OTHERWISE SPECIFIED)		THIRD ANGLE PROJECTION	
DIMENSIONS ARE IN MILLIMETERS			
DIMENSIONING AND TOLERANCE IN ACCORDANCE WITH ASME Y14.5-2009			
<i>USCAR-EWCAP</i>			
SCALE	DRAWN BY	CHECKED BY	DATE
---	S. STROM	P. SCHROEDER	02/07/22
TITLE			
10GB ETHERNET CONNECTOR. 100 OHM DIFFERENTIAL PAIR. QUADRUPLE INTERFACE WATERPROOF.			
SHEET	DRAWING NUMBER	SIZE	REVISION LEVEL
4 of 4	777-S-008-2-Z01	A2	A
		DO NOT SCALE DRAWING	COMPUTER AIDED DRAWING