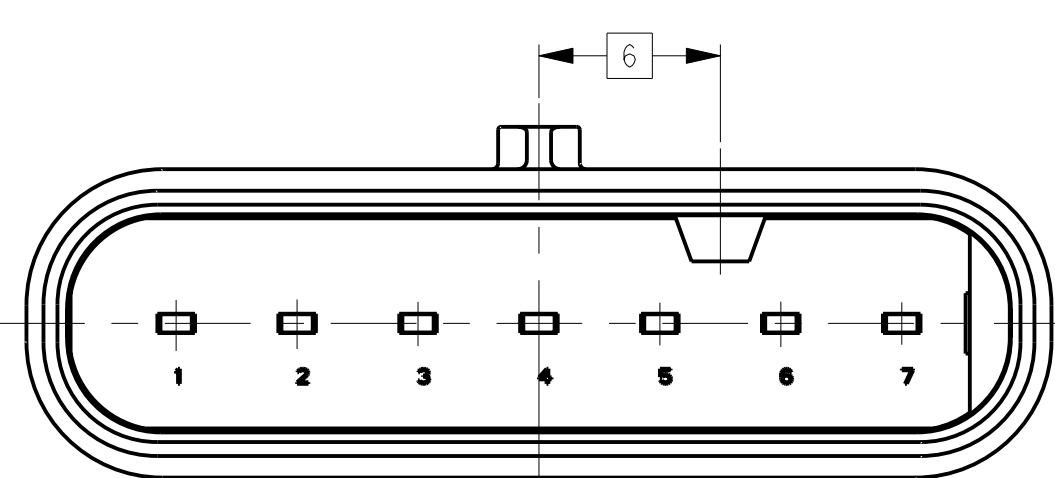
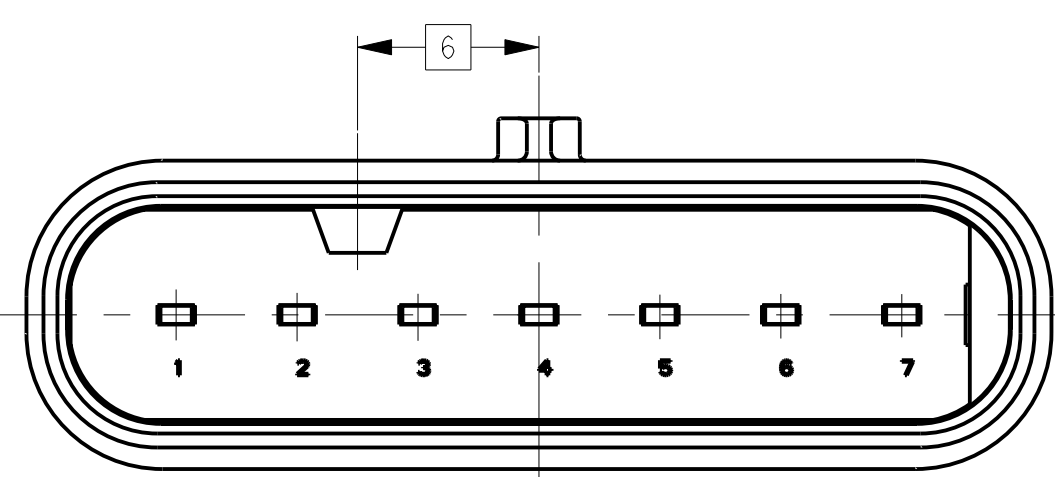


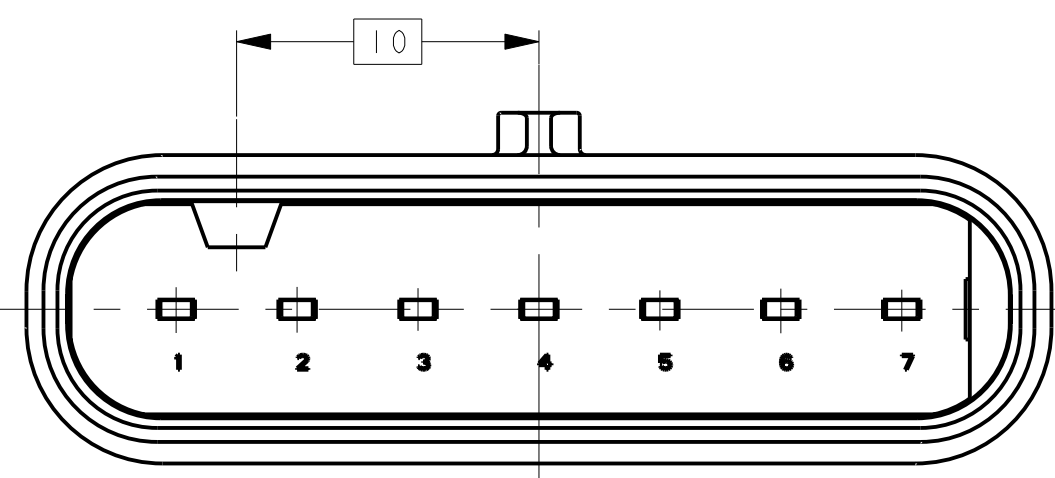
KEYING OPTION A



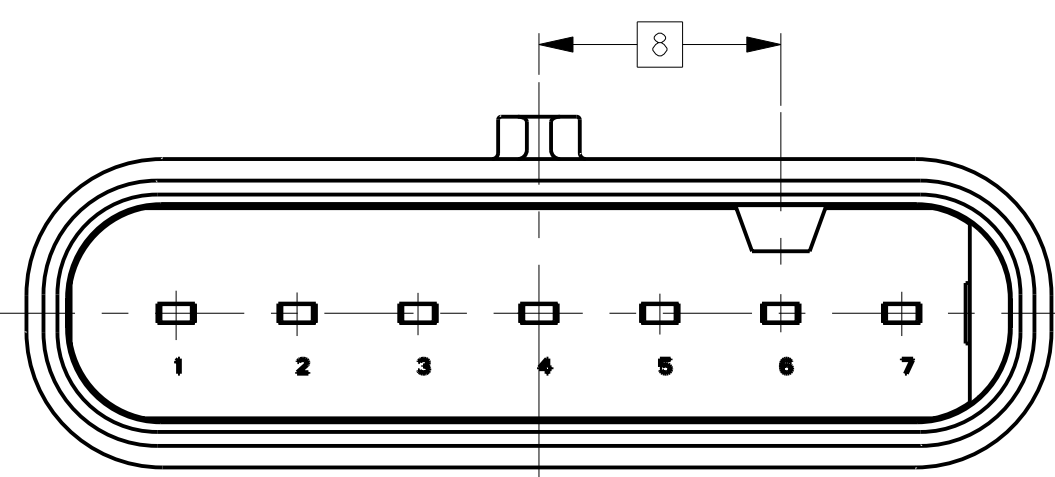
KEYING OPTION B



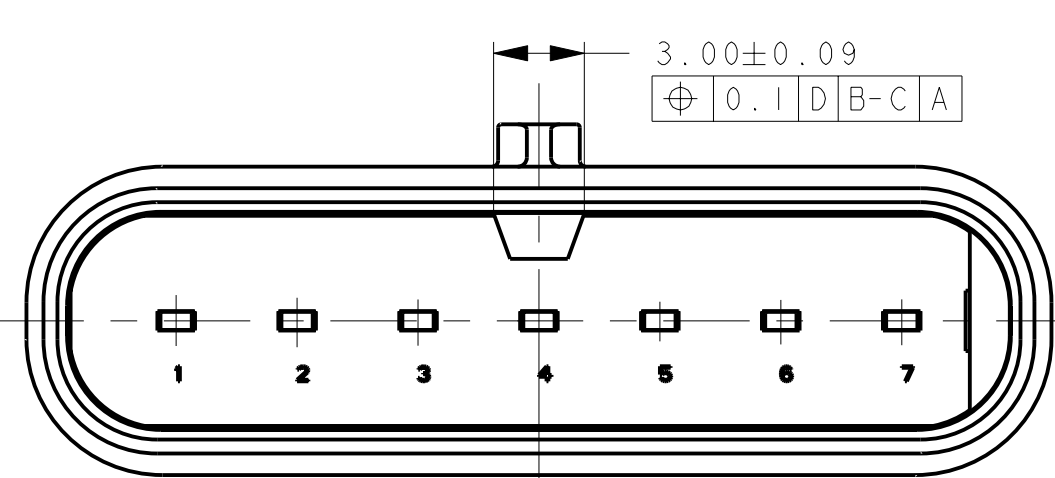
KEYING OPTION C



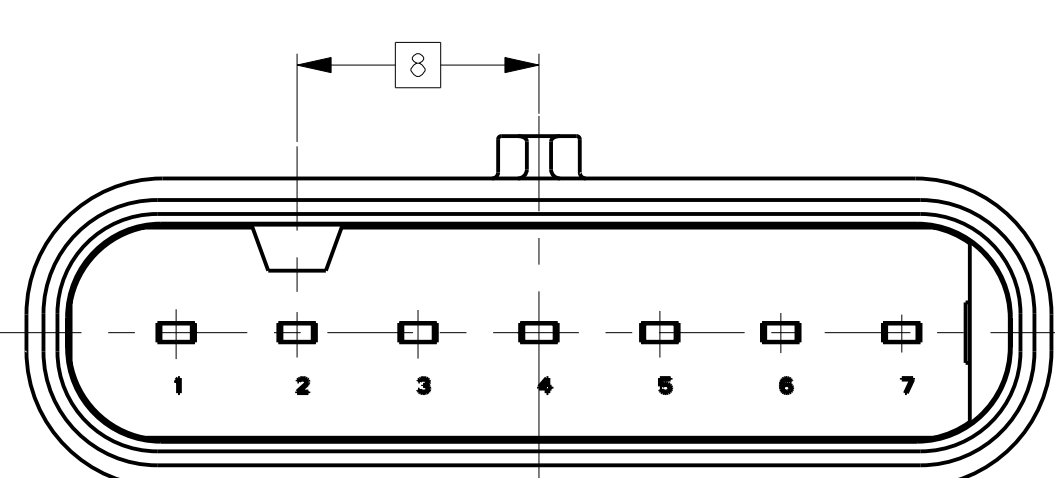
KEYING OPTION D



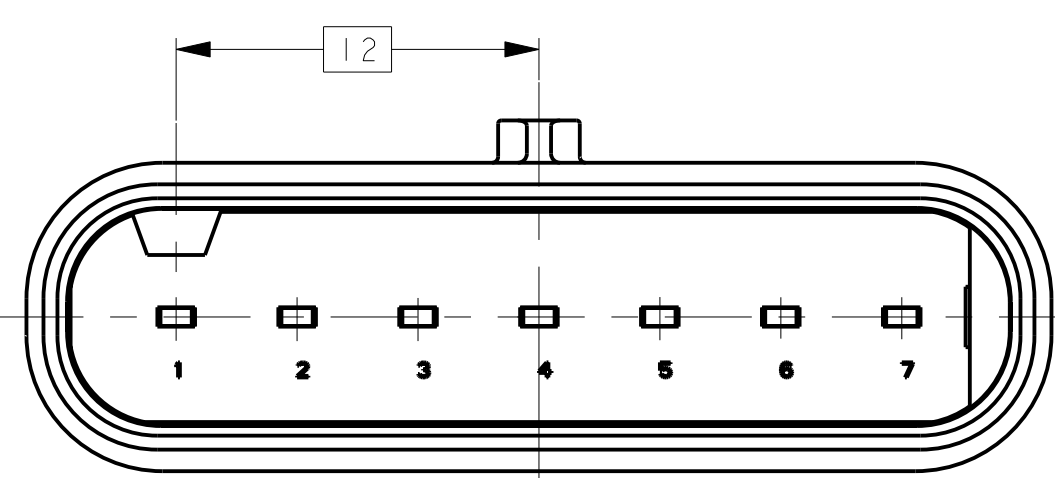
KEYING OPTION E



KEYING OPTION F

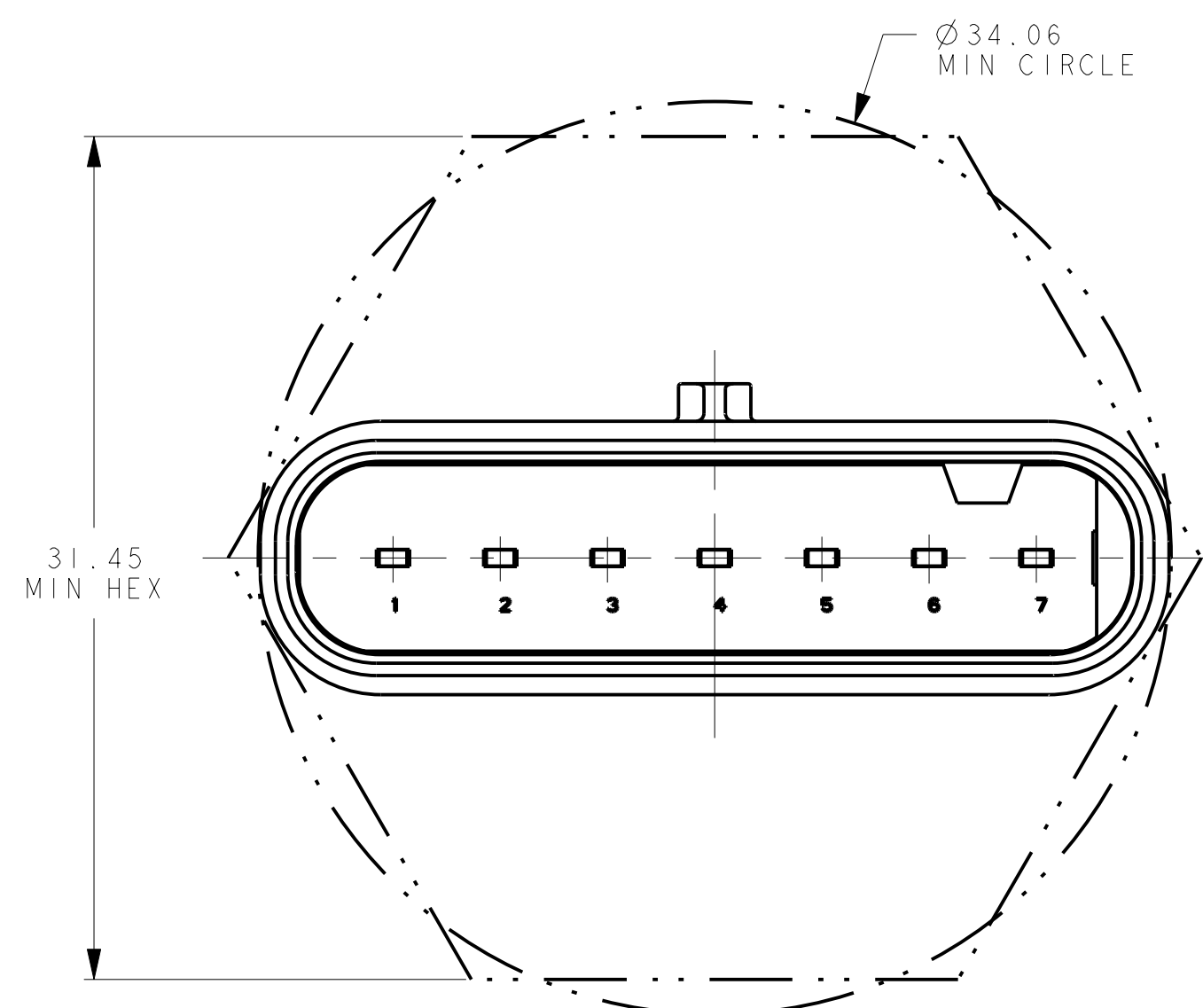


KEYING OPTION G

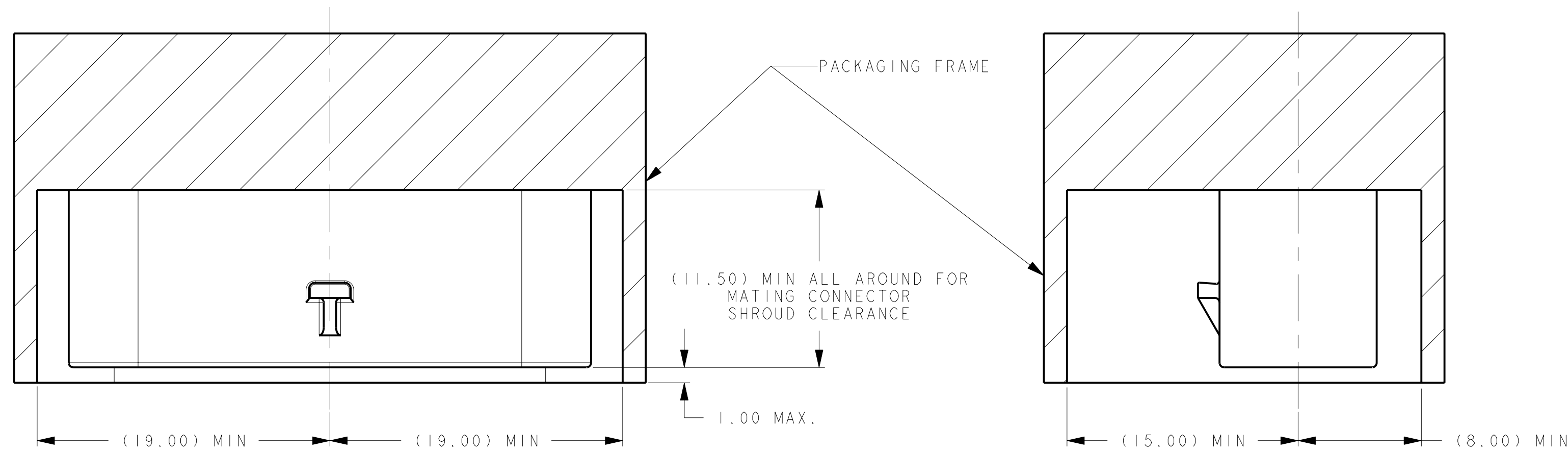


KEYING OPTION H

POLARIZATION VIEWS

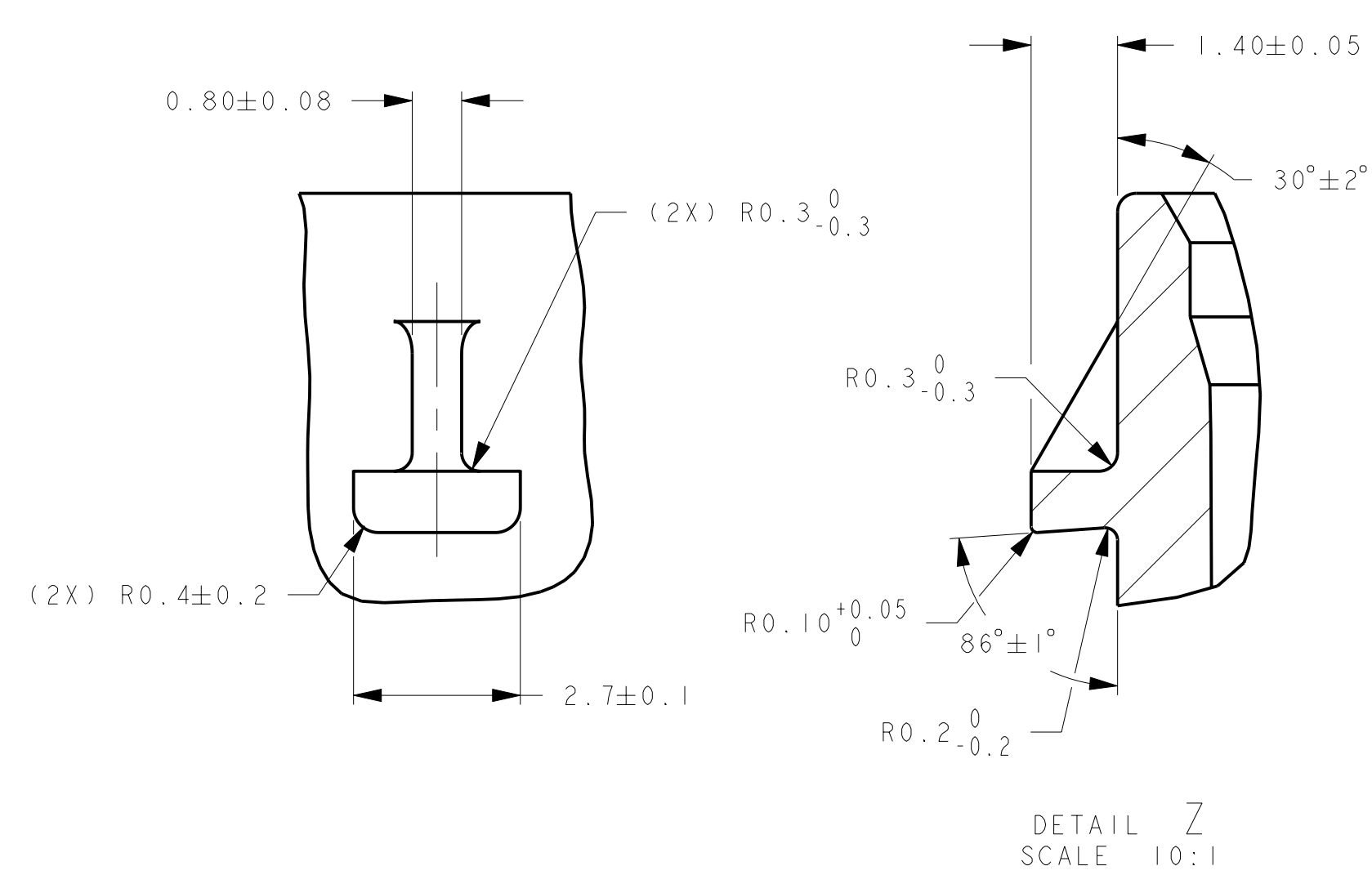


MINIMUM FIT SIZE - PROVIDED FOR INFORMATIONAL PURPOSES ONLY (BASED ON MAXIMUM MATERIAL CONDITION)

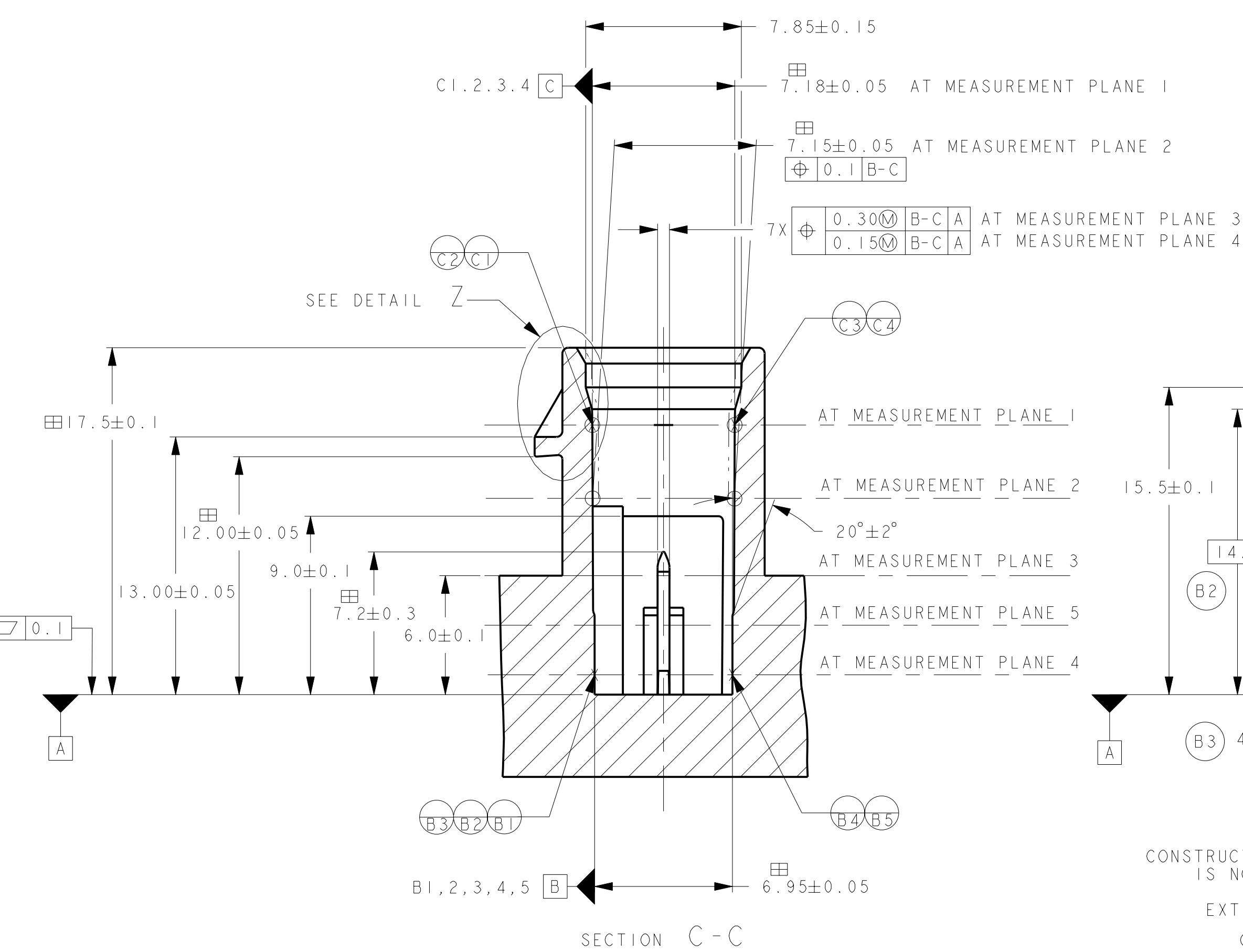


IF THE HEADER IS RECESSED INTO A POCKET, THESE DIMENSIONS REPRESENT THE MINIMUM CLEARANCE REQUIRED FOR THE MATING CONNECTOR SHROUD.

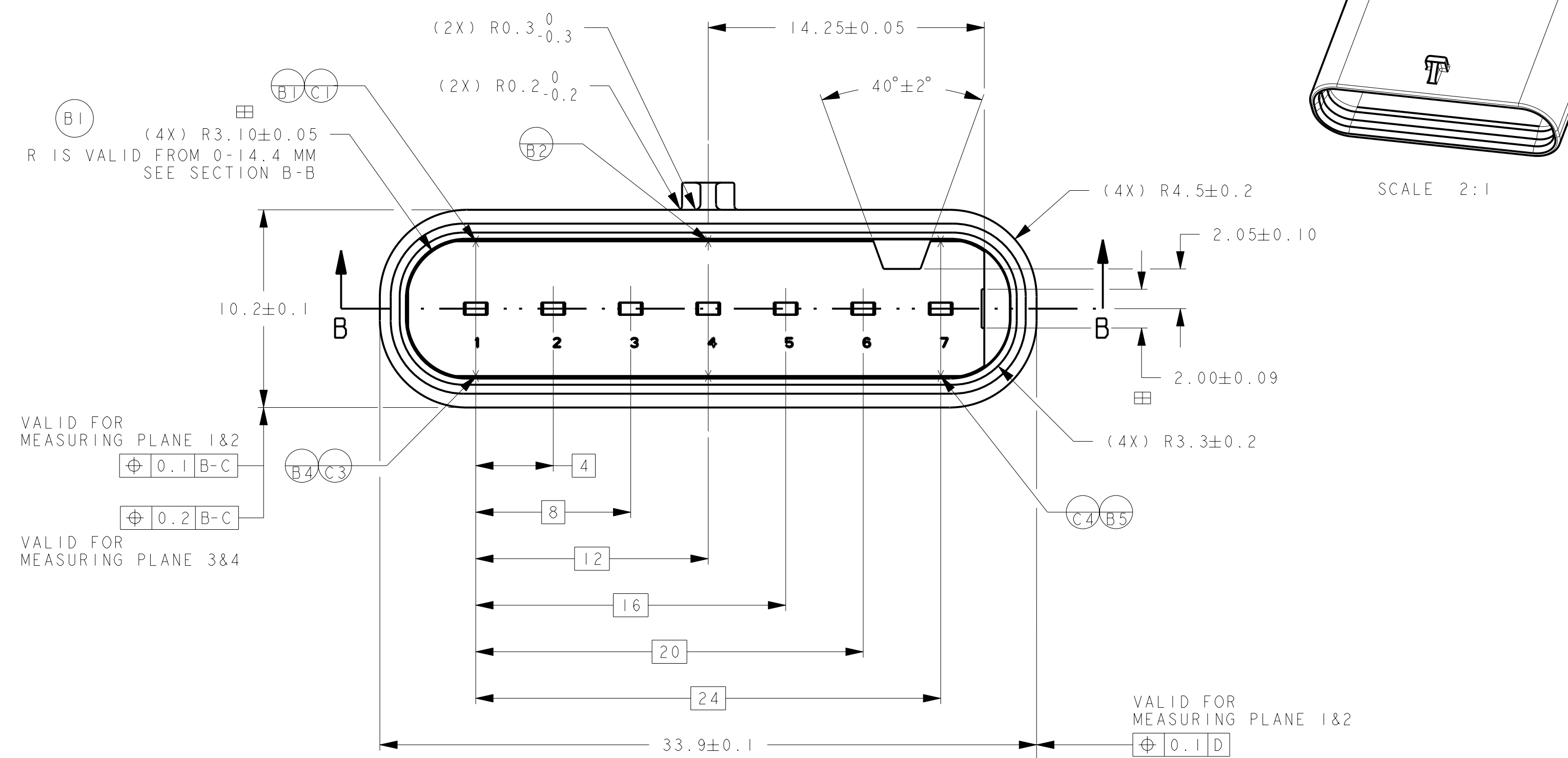
**NOTICE**  
THIS DRAWING OR PORTIONS OF IT ARE CONTROLLED BY THE ELECTRICAL WIRING COMPONENTS APPLICATION PARTNERSHIP (EWCAP), A SUBGROUP OF THE UNITED STATES COUNSEL FOR AUTOMOTIVE RESEARCH LLC (USCAR LLC).  
USCAR IS AN LLC CONSISTING OF MEMBERS FROM CHRYSLER GROUP, FORD MOTOR COMPANY AND GM COMPANY.  
ANY CHANGE TO A EWCAP CONTROLLED PORTION OF THIS DRAWING, INCLUDING A REVISION RECORD CHANGE MUST BE APPROVED, IN WRITING, BY THE RESPONSIBLE EWCAP REPRESENTATIVE FROM EACH USCAR MEMBER COMPANY. EACH EWCAP REPRESENTATIVE AUTHORIZED TO SIGN FOR HIS OR HER MEMBER COMPANY IS RESPONSIBLE FOR OBTAINING ALL NECESSARY APPROVALS WITHIN THAT COMPANY PRIOR TO SIGNING FOR THE APPROVAL OF THE CHANGE.  
EWCAP EXPRESSLY PROHIBITS ANY PARTY FROM CHANGING EITHER ANY EWCAP CONTROLLED PORTION OF THIS DRAWING OR ANY ASSOCIATED TOOLING BEFORE RECEIVING APPROVAL, SIGNED BY THE AUTHORIZED REPRESENTATIVES, OF THE USCAR MEMBER COMPANIES. REFERENCE TO THE SIGNED CHANGE NOTICE MUST BE ENTERED IN THE DRAWING CONTROL COLUMN.



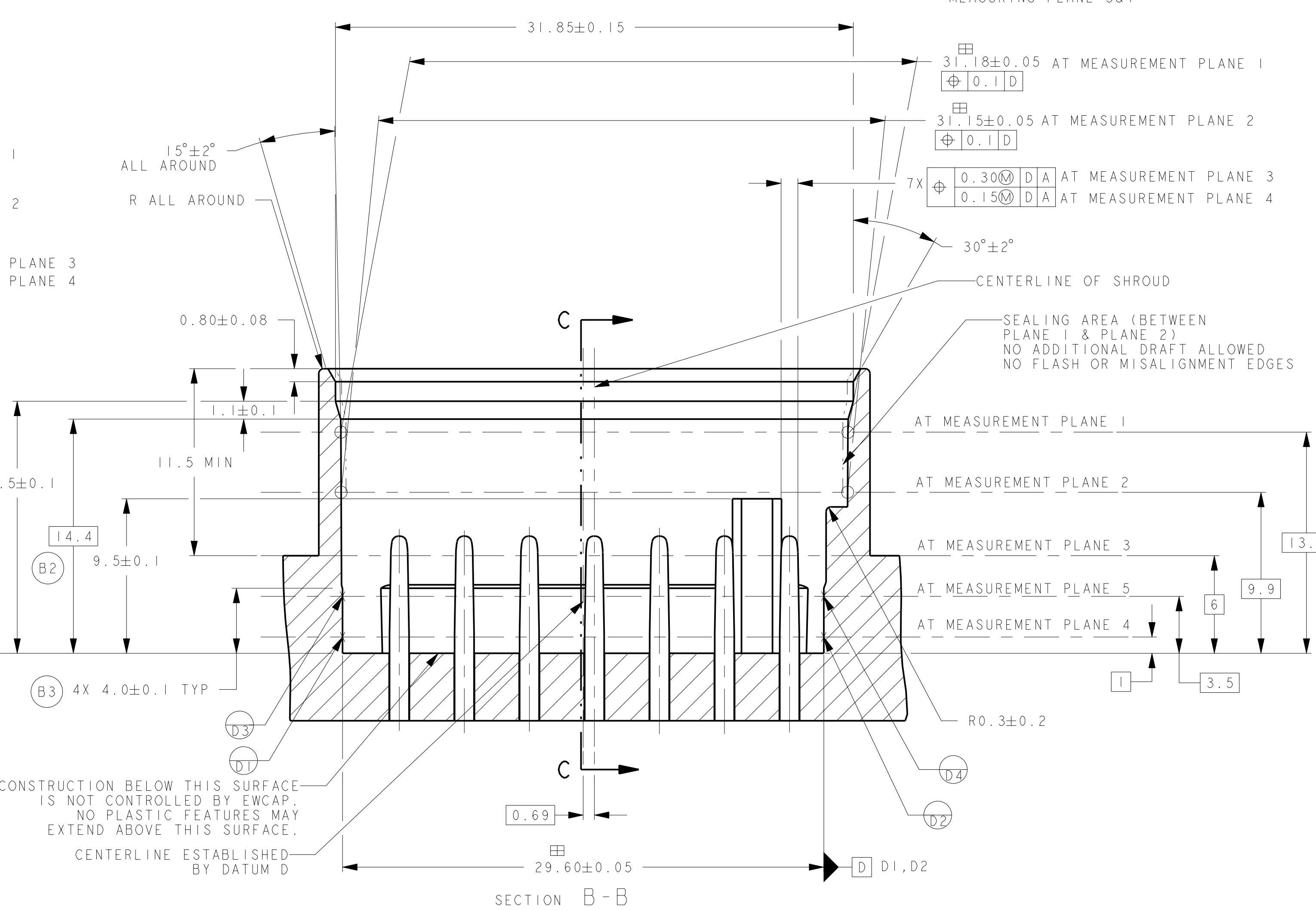
LATCH CONSTRUCTION



SECTION C-C

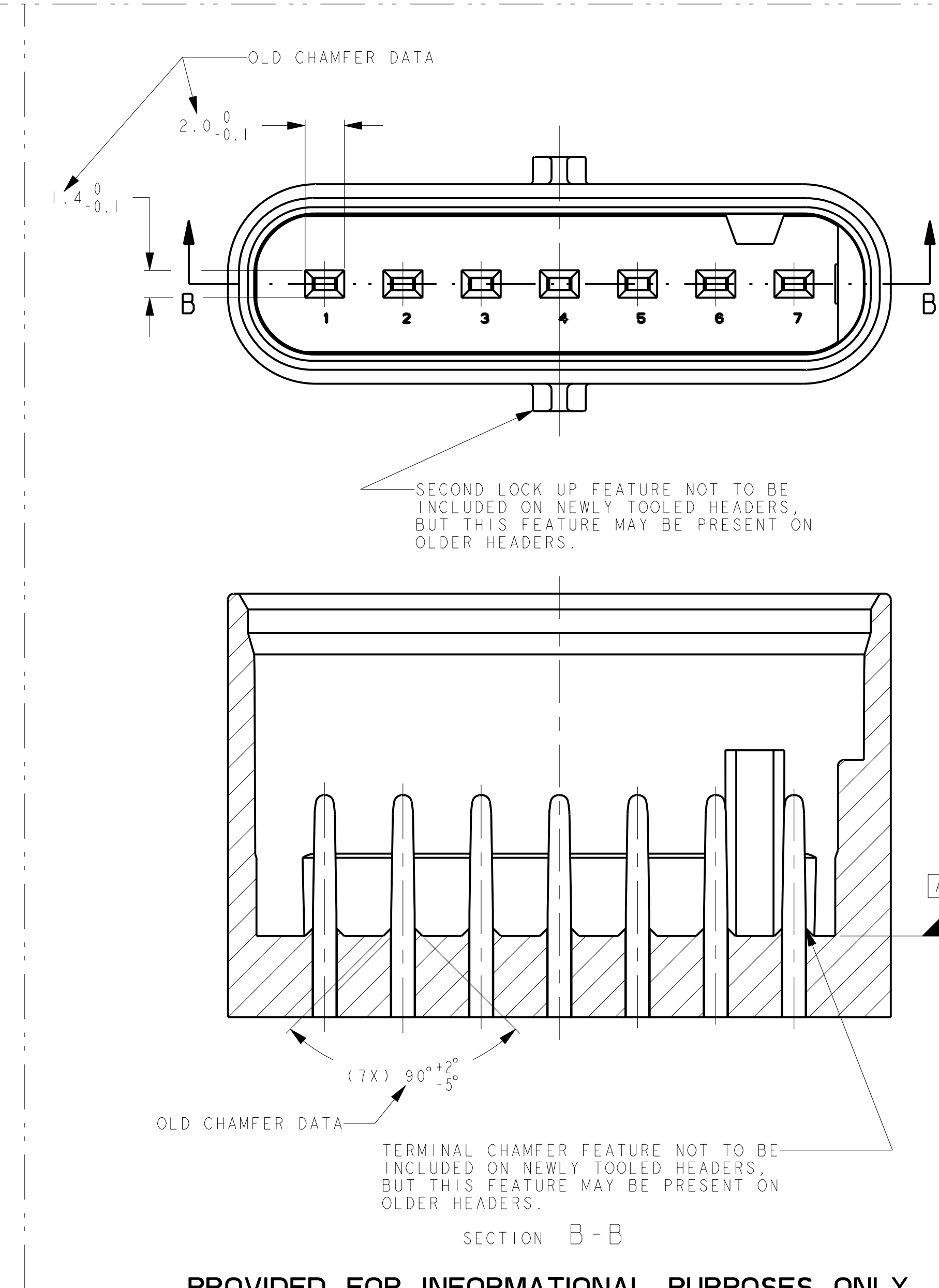


VALID FOR MEASURING PLANE 1&2  
VALID FOR MEASURING PLANE 3&4  
VALID FOR MEASURING PLANE 1&2  
VALID FOR MEASURING PLANE 3&4



CONSTRUCTION BELOW THIS SURFACE IS NOT CONTROLLED BY EWCAP. NO PLASTIC FEATURES MAY EXTEND ABOVE THIS SURFACE. CENTERLINE ESTABLISHED BY DATUM D

- NOTES:
- ALL DIMENSIONS SHOWN IN MILLIMETERS.
  - DIMENSIONING AND TOLERANCING PER ASME Y14.5M
  - 0.25 RADII ON ALL CORNERS SHOWN SHARP.
  - ALL UNSPECIFIED RADII 0.25.
  - REFER TO "SAE/USCAR 12 CONNECTOR DESIGN CRITERIA" FOR ADDITIONAL REQUIREMENTS.
  - EXCEPT WHERE NOTED, DRAFT ON OUTSIDE SURFACES IS PERMISSIBLE WITHIN TOLERANCE.
  - SYMBOL INDICATES DRAFT DIRECTION.
  - FOR TERMINAL MATERIAL, DIMENSIONAL AND COATING REQUIREMENTS, SEE EWCAP 001 BLADE DRAWING.
  - TO CLAIM USCAR COMPLIANCE, PARTS DESIGNED AND PRODUCED TO THIS FOOTPRINT DRAWING MUST BE TESTED TO AND MEET THE REQUIREMENTS OF SAE/USCAR 2.
  - REVERSE DRAFT PERMISSIBLE IN LATCH DETAILS.
  - ⊠ DENOTES DIMENSION THAT MAY BE UTILIZED TO MONITOR PART QUALITY.
  - A FULL SHROUD ON THE MATING CONNECTOR IS REQUIRED TO INSURE THE CONNECTOR-HEADER POLARIZATION FEATURES (OPTIONS A THRU F) WILL FUNCTION. THE FULL SHROUD ALSO PREVENTS SCOOP DAMAGE TO THE HEADER PINS.
  - THIS PART HAS BEEN PREVIOUSLY DESIGNED AND TOOLED WITH THE DATUM REFERENCES AS SHOWN. THE DATUM REFERENCES USED ON THIS DRAWING TAKES PRECEDENCE OVER THE EWCAP DRAWING GUIDELINE DATUM REFERENCE REQUIREMENT.



PROVIDED FOR INFORMATIONAL PURPOSES ONLY

167	B	B1 WAS (4X) R3.10±0.05 R IS VALID FROM 0-4 MM SEE SECTION B-B B2 ADDED [14.4] B3 WAS [1]	08-10-20	KV	SR
099	A	RELEASING 120-S-007-1-204, Z01 CHANGED TO NOT RECOMMENDED	12-10-13	SR	MGM
CHANGE SERIAL NUMBER	LET	REVISION RECORD	DATE	DWN	CHK
TOLERANCES (UNLESS OTHERWISE SPECIFIED) DIMENSIONS ARE IN MILLIMETERS					
ANGLES ± 2°					
X.X ± 0.25 X.XX ± 0.10					
EWCAP					
SCALE	5:1	DRAWN BY	RANGARAJAN	CHECKED BY	MATT MAJOR
TITLE	DIRECT CONNECT INTERFACE 7WAY (1 X 7) 1.2MM SEALED MALE				
SHEET DRAWING NUMBER	120-S-007-1-204	SIZE	E	DO NOT SCALE DRAWING	COMPUTER AIDED DRAWING
REV	1	REV	1	REV	1

