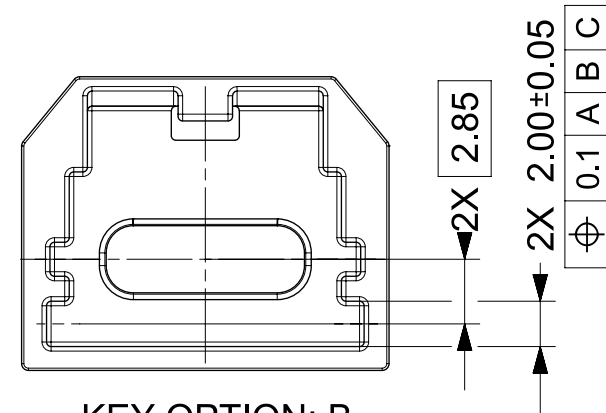
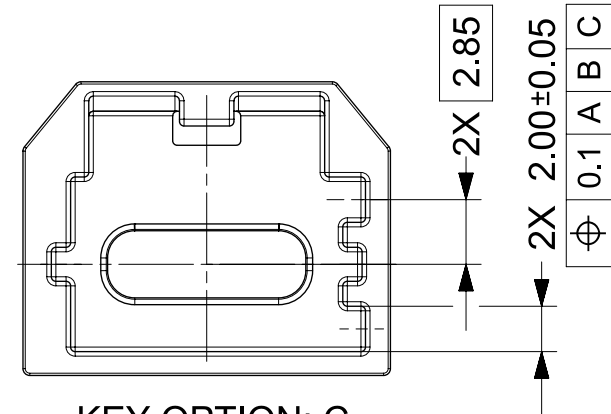


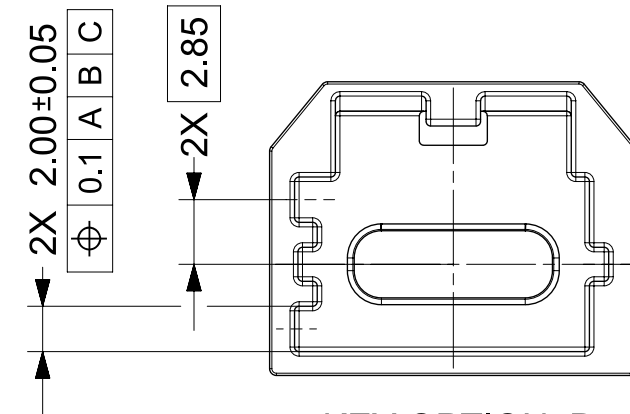
KEY OPTION: A  
SCALE 3:1



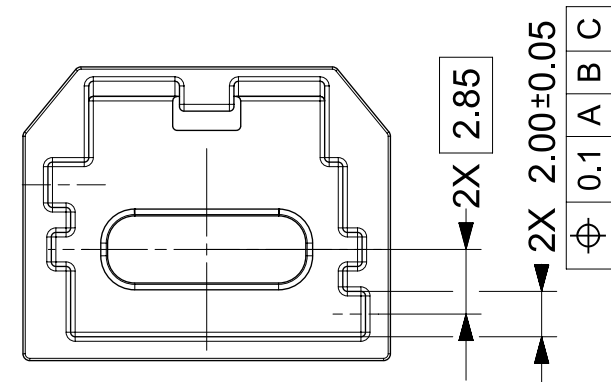
KEY OPTION: B  
SCALE 3:1



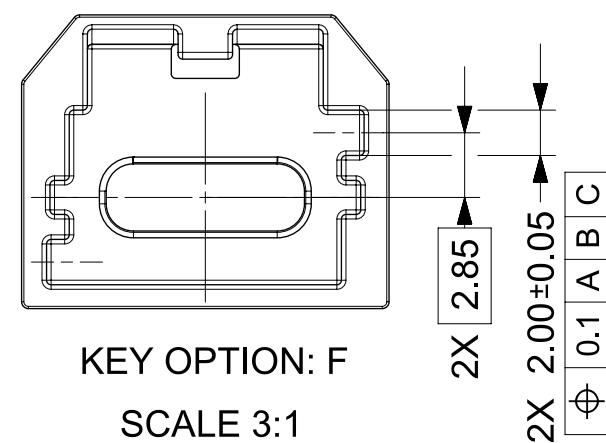
KEY OPTION: C  
SCALE 3:1



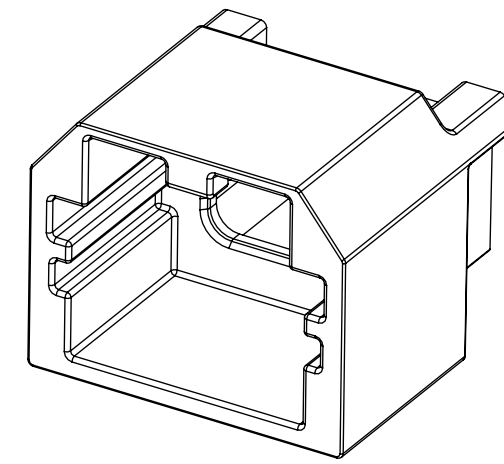
KEY OPTION: D  
SCALE 3:1



KEY OPTION: E  
SCALE 3:1



KEY OPTION: F  
SCALE 3:1



3D VIEW

**Standard Notice**

This drawing, or portions of it, are controlled by the Electrical Wiring Components Application Partnership (EWCAP) a subgroup of the United States Council for Automotive Research LLC (USCAR LLC).

USCAR is an LLC consisting of members from Stellantis, Ford Motor Company and GM Company.

Any change to a EWCAP controlled portion of this drawing, including a revision record change must be approved, in writing, by the responsible EWCAP representative from each USCAR member company. Each EWCAP representative authorized to sign for his or her member company is responsible for obtaining all necessary approvals within that company prior to signing for the approval of the change.

EWCAP expressly prohibits any party from changing either any EWCAP controlled portion of this drawing or any associated tooling before receiving approval, signed by the authorized representatives, of the USCAR member companies. Reference to the signed change notice must be entered in the drawing control column.

**NOTES:**

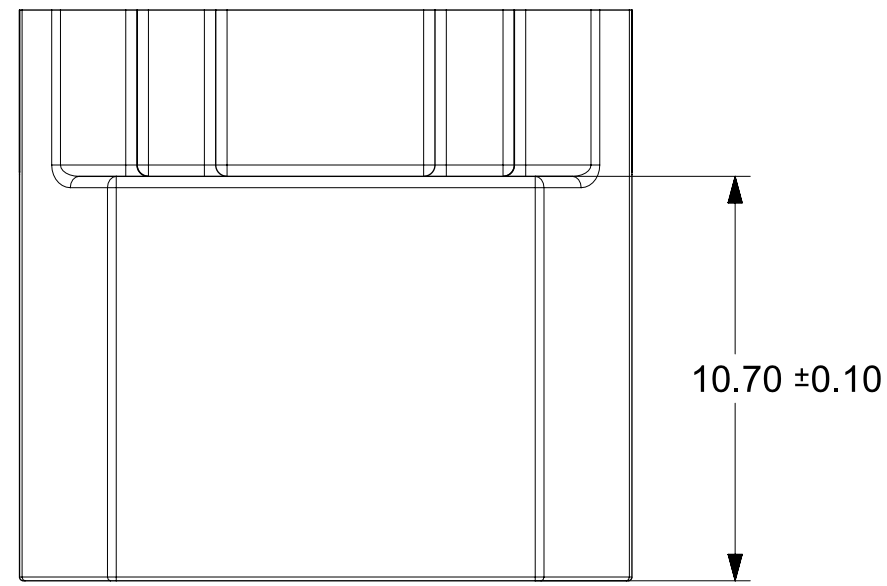
1. ALL DIMENSIONS SHOWN IN MILLIMETERS.
2. DIMENSIONING AND TOLERANCING PER ASME Y14.5M.
3. CORNERS SHOWN AS SHARP ARE 0.25mm MAX RADII.
4. ALL UNSPECIFIED RADII : 0.2mm
5. USCAR-12 REQUIREMENT C24 FOR CONTACT ENGAGEMENT OF 1mm ISN'T APPLICABLE.
6. EXCEPT WHERE NOTED, DRAFT ON OUTSIDE SURFACES IS PERMISSIBLE WITHIN TOLERANCE.
7. ▽ SYMBOL INDICATES DRAFT DIRECTION.
8. REVERSE DRAFT PERMISSIBLE IN LATCH DETAILS.
9. A FULL SHROUD ON THE MATING CONNECTOR IS REQUIRED TO ENSURE THE CONNECTOR-HEADER POLARIZATION FEATURES (OPTIONS A THRU F) WILL FUNCTION. THE FULL SHROUD ALSO PREVENTS SCOOP DAMAGE TO THE CONTACT PINS ON THE RECEPTACLE.
10. THIS CONNECTOR INTERFACE IS DESIGNED FOR RECEPTACLE INTERFACE DIMENSIONS SPECIFIED IN USB TYPE C CONNECTOR AND CABLE SPECIFICATION / RELEASE 2.3  
REFER URL:<https://www.usb.org/document-library/usb-type-cr-cable-and-connector-specification-release-23>
11. DATUM D ESTABLISHED FROM USB TYPE-C SPECIFICATION RELEASE 2.3 / SEC 3.2.1 / FIG 3-1 OR LATEST RELEASE AND APPROPRIATE SECTION FOR RECEPTACLE AND THIS IS REFERENCE FOR PIN LENGTHS TO GUARANTEE ENOUGH CONTACT OVERLAP.
12. RECOMMENDED RESIN PROPERTIES, FLEXURAL MODULUS OF 8.5 Gpa AND TENSILE STRENGTH OF 160Mpa.

EWCAP PART NUMBER	KEY OPTION	COLOR	SIMILAR RAL-NO
999-U-USB-A01	A	BLACK	9005
999-U-USB-B01	B	BLUE	5012
999-U-USB-C01	C	GREEN	6017
999-U-USB-D01	D	GREY	7036
999-U-USB-E01	E	LIGHT PINK	3015
999-U-USB-F01	F	CURRY	1027

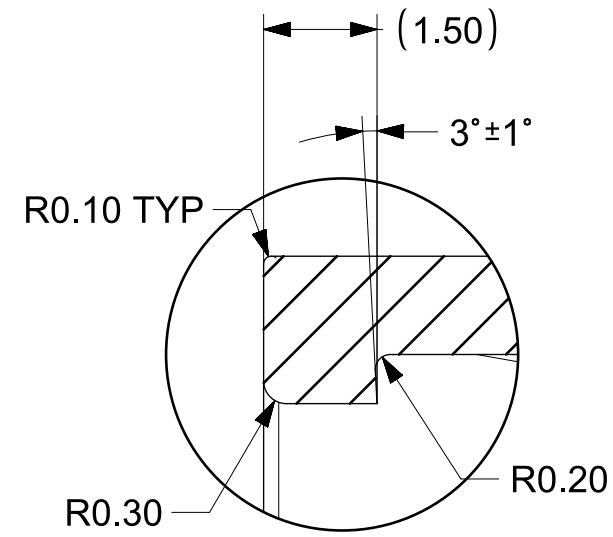
**molex**

6000043757

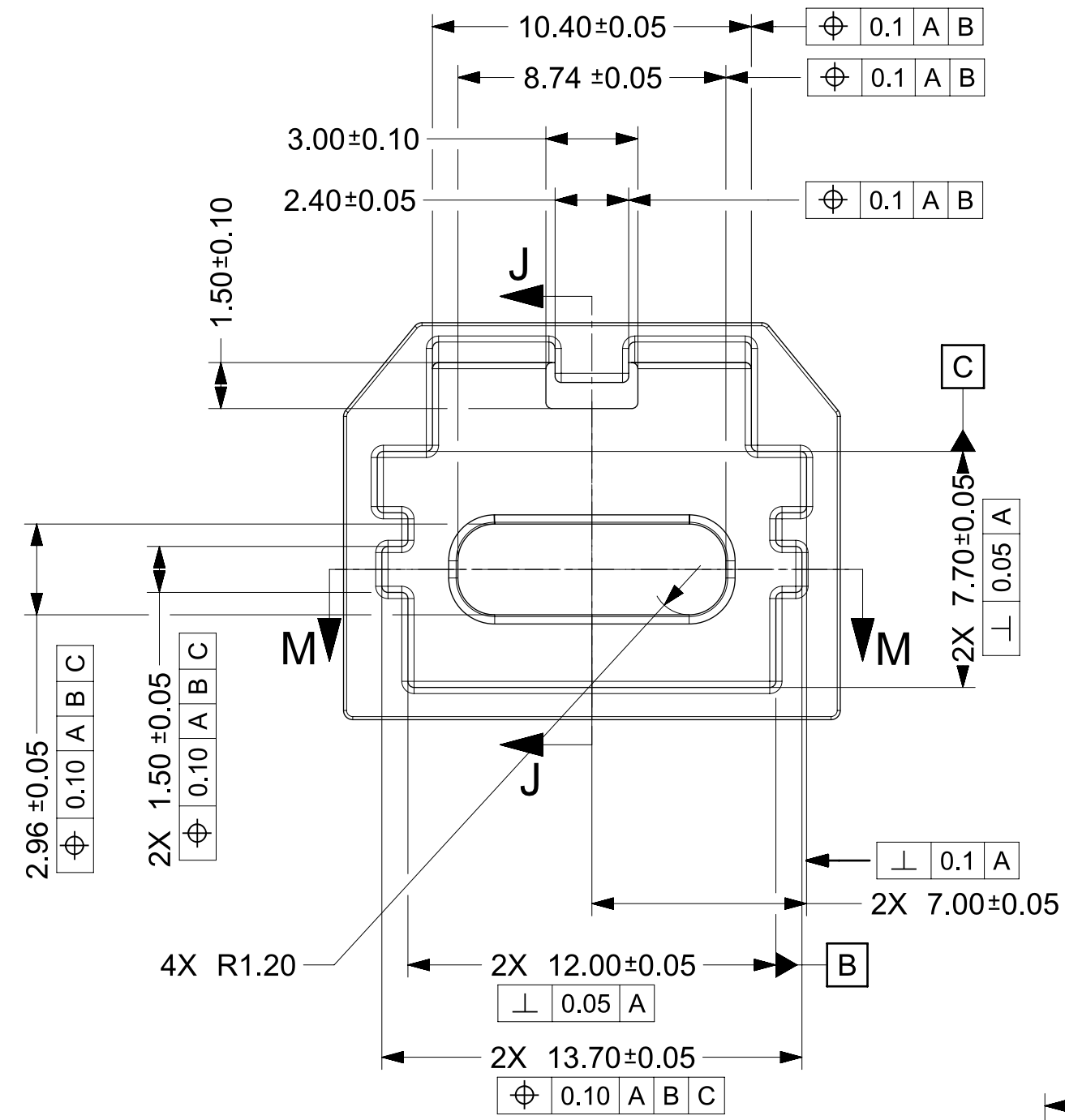
-	A	INITIAL RELEASE	2024-06-11	BALAJI PRAVEEN	
CHANGE SERIAL #	REV.	REVISION RECORD	DATE	DWN	CHK
TOLERANCES (UNLESS OTHERWISE SPECIFIED)			THIRD ANGLE PROJECTION		
DIMENSIONS ARE IN MILLIMETERS					
ANGLES ± 1°					
<i>USCAR-EWCAP</i>					
SCALE 1:1	DRAWN BY	CHECKED BY	DATE		
TITLE <b>USB TYPE C UNSEALED</b>					
SHEET 1 of 3	DRAWING NUMBER <b>999-U-USB-Z02</b>	SIZE <b>A2</b>	DO NOT SCALE DRAWING COMPUTER AIDED DRAWING	REVISION LEVEL <b>A</b>	



NO PARTING LINE ALLOWED AT THIS LOCATION

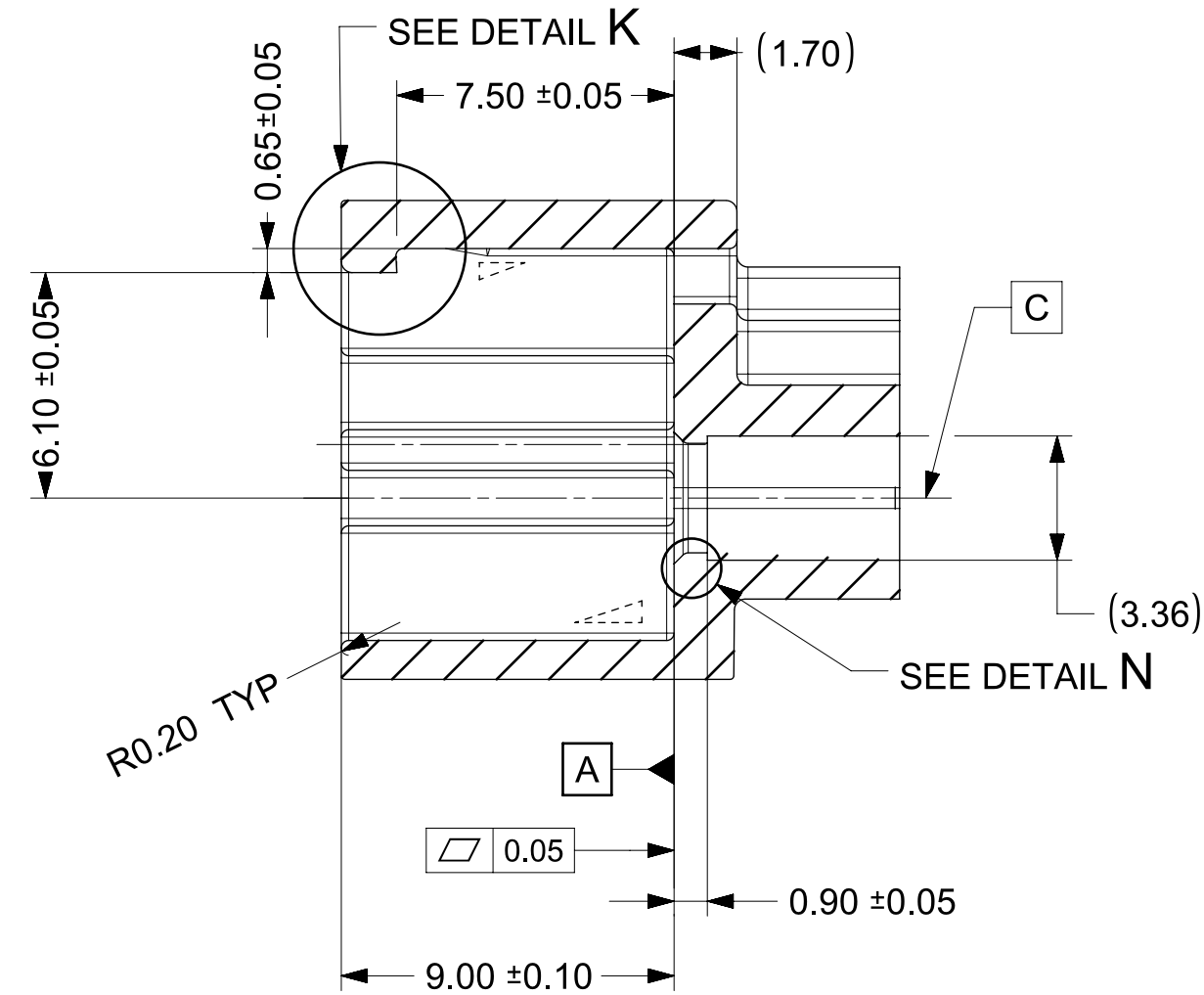


DETAIL K  
SCALE 10:1

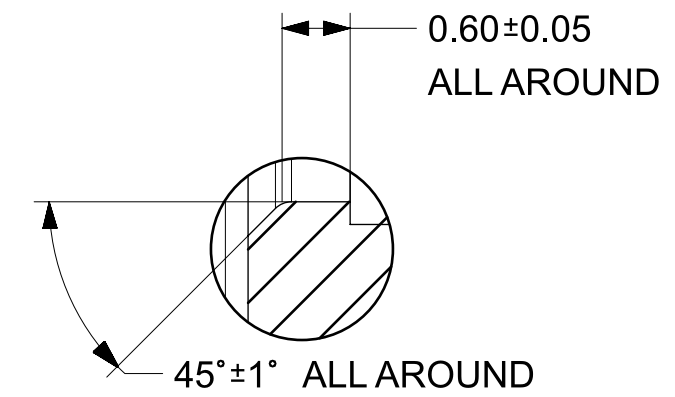


KEY-A SHOWN

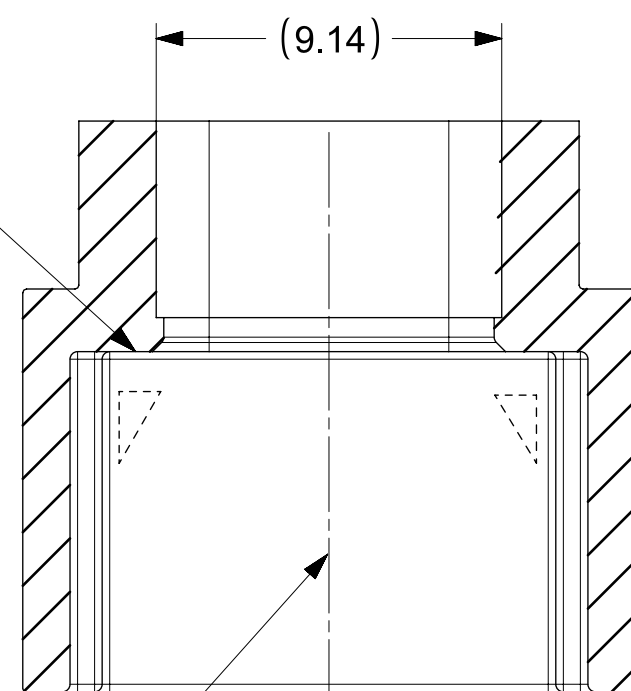
CONSTRUCTION BEYOND THIS SURFACE IS NOT CONTROLLED BY EWCAP.



SECTION J-J



DETAIL N  
SCALE 15:1



CENTER LINE OF SHROUD SECTION M-M

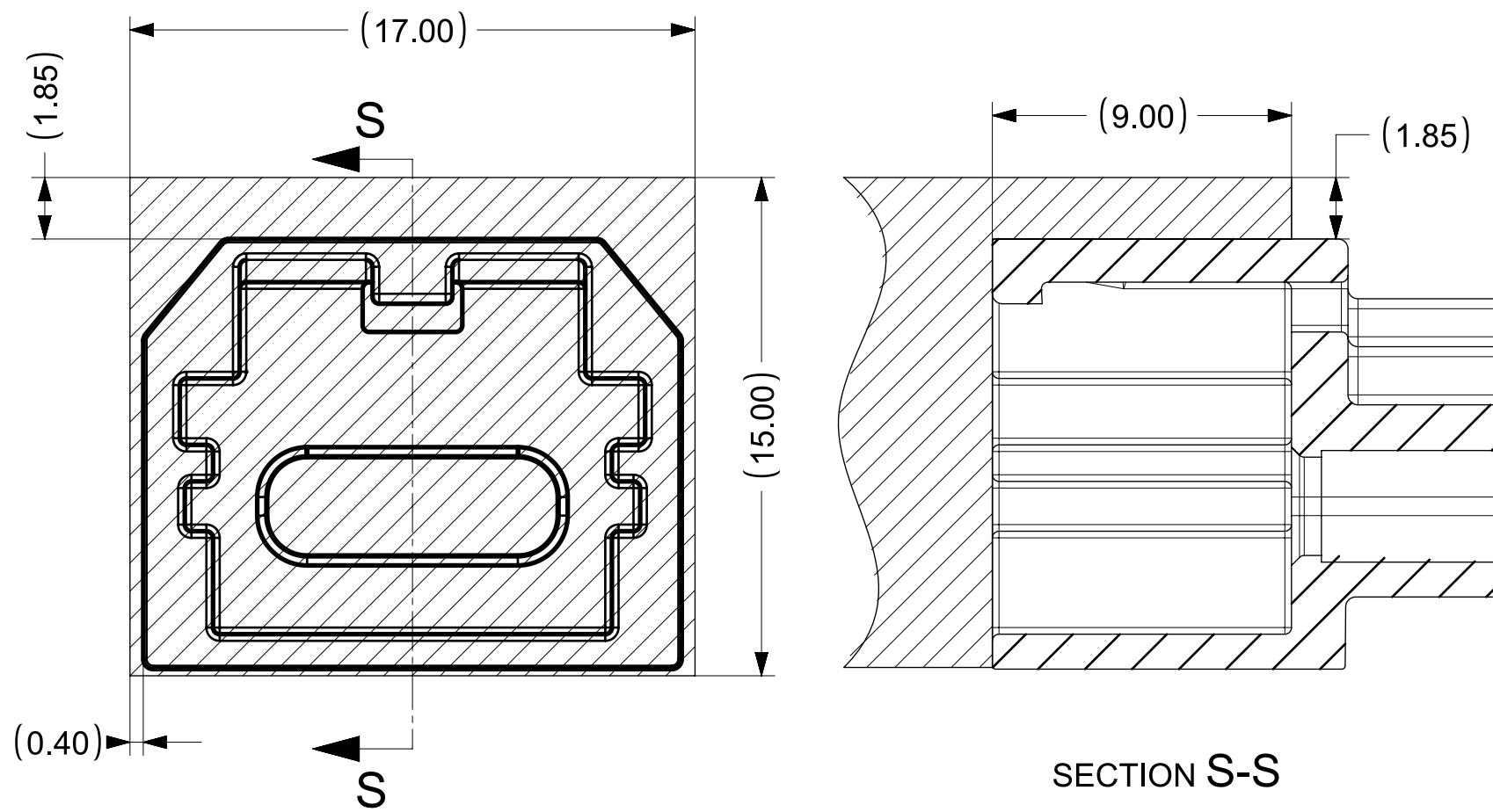
**molex**

6000043757

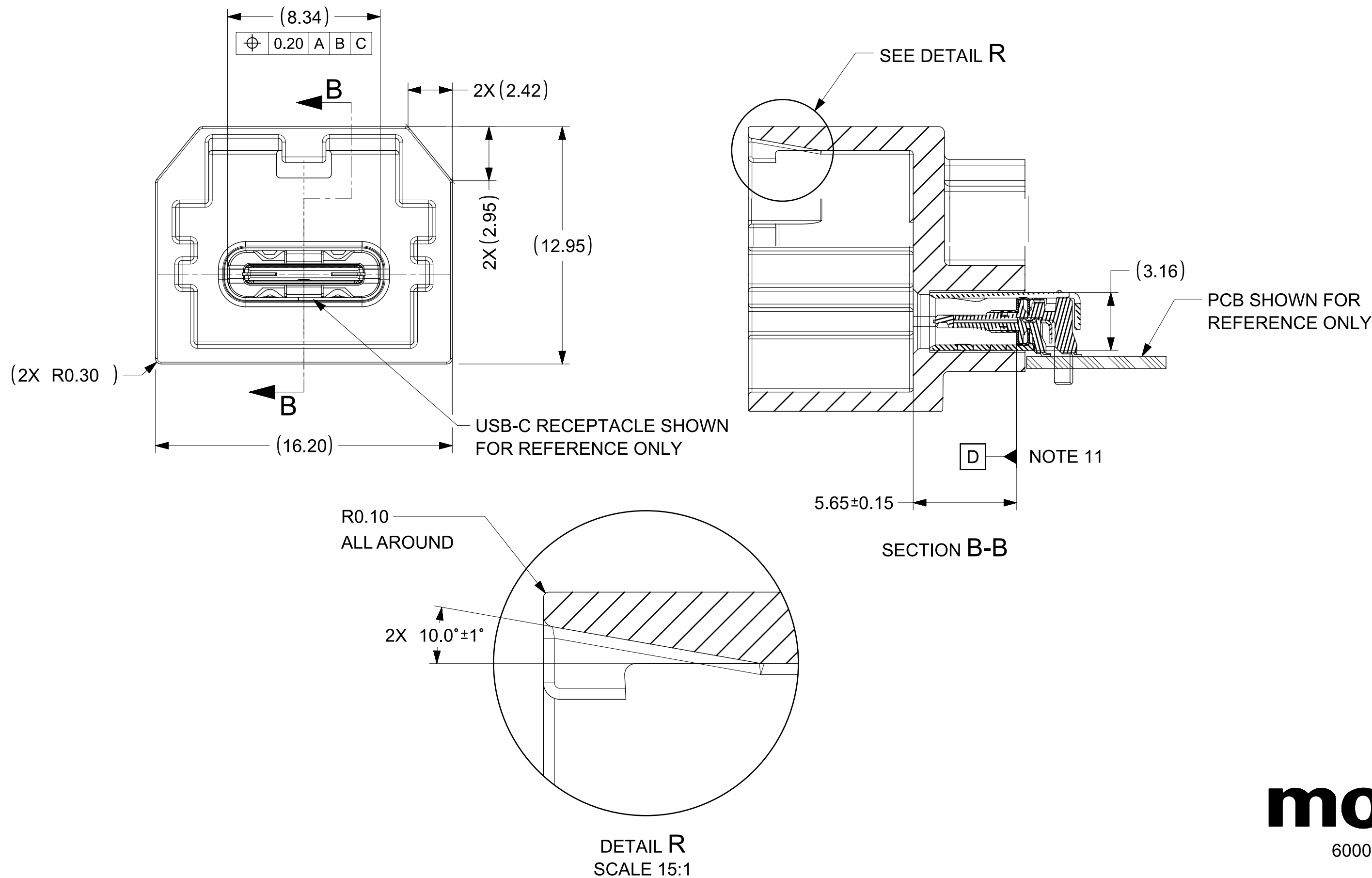
-	A	INITIAL RELEASE	2024-06-11	BALAJI PRAVEEN	
CHANGE SERIAL #	REV.	REVISION RECORD	DATE	DWN	CHK
TOLERANCES (UNLESS OTHERWISE SPECIFIED)			THIRD ANGLE PROJECTION		
DIMENSIONS ARE IN MILLIMETERS					
ANGLES ± 1°					
<i>USCAR-EWCAP</i>					
SCALE 1:1	DRAWN BY	CHECKED BY	DATE		
TITLE USB TYPE C UNSEALED					
SHEET 2 of 3	DRAWING NUMBER 999-U-USB-Z02	SIZE A2	DO NOT SCALE DRAWING COMPUTER AIDED DRAWING	REVISION LEVEL A	

**NOTICE**

EWCAP HAS SELECTED COMMON DIMENSIONS FOR THE CONNECTOR(S) DEPICTED AND DESCRIBED HEREIN (LISTED BELOW). FURTHER, EWCAP HAS SELECTED FOR PUBLICATION THIS DRAWING (AND ITS COMPANION ELECTRONIC MODEL) PREPARED BY MOLEX AS REPRESENTATIVE OF A CONNECTOR HAVING THESE DIMENSIONS. IN EXCHANGE FOR THE CONSIDERATION OF THE SELECTION OF THIS DRAWING FOR PUBLICATION (INCLUDING POSTING ON EWCAP'S WEB SITE) AND OTHER GOOD AND VALUABLE CONSIDERATION FLOWING FROM THIS SELECTION, MOLEX HEREBY AGREES ON BEHALF OF ITSELF AND ITS SUCCESSORS AND ASSIGNS, WITH RESPECT TO ANY COPYRIGHTS IT MAY HAVE IN THIS DRAWING AS WELL AS ANY PATENT RIGHTS IT MAY HAVE IN THE CONNECTOR ILLUSTRATED IN THIS DRAWING, NOT TO ENFORCE SUCH COPYRIGHTS AND PATENTS AGAINST ANY PERSON OR ENTITY ON ACCOUNT OF THEIR ACTIVITIES TO MAKE, HAVE MADE, USE AND SELL THE CONNECTOR ILLUSTRATED IN THIS DRAWING FOR VEHICULAR APPLICATIONS. THE TERM "CONNECTOR" AS USED IN THIS PARAGRAPH IS LIMITED SOLELY TO THE STRUCTURE SPECIFICALLY ILLUSTRATED IN THIS DRAWING. NO WARRANTIES OR INDEMNITIES OF ANY KIND ARE MADE OR IMPLIED BY MOLEX OR EWCAP. IN PARTICULAR THERE ARE NO EXPRESS OR IMPLIED WARRANTIES OF FITNESS FOR A PARTICULAR PURPOSE, MERCHANTABILITY, NON-INFRINGEMENT OR ANY OTHER WARRANTY OF ANY KIND. IN ADDITION, THERE ARE NO EXPRESS OR IMPLIED WARRANTIES OR INDEMNITIES OF ANY KIND RELATING TO THIRD PARTY CLAIMS ARISING UNDER THE INTELLECTUAL PROPERTY LAWS OF ANY COUNTRY. ANYONE USING THE INFORMATION IN THIS DRAWING DOES SO AT THEIR OWN RISK. APPLICABLE EWCAP DRAWING NUMBERS: 999-U-USB-Z02



DIMENSIONS REPRESENT THE CLEARANCE REQUIRED FOR PACKAGING.



DETAIL R  
SCALE 15:1

**molex**  
6000043757

-	A	INITIAL RELEASE	2024-06-11	BALAJI PRAVEEN	
CHANGE SERIAL #	REV.	REVISION RECORD	DATE	DWN	CHK
TOLERANCES (UNLESS OTHERWISE SPECIFIED)			THIRD ANGLE PROJECTION		
DIMENSIONS ARE IN MILLIMETERS					
ANGLES ± 1°					
<i>USCAR-EWCAP</i>					
SCALE 1:1	DRAWN BY	CHECKED BY	DATE		
TITLE USB TYPE C UNSEALED					
SHEET 3 of 3	DRAWING NUMBER 999-U-USB-Z02	SIZE A2	DO NOT SCALE DRAWING COMPUTER AIDED DRAWING	REVISION LEVEL A	