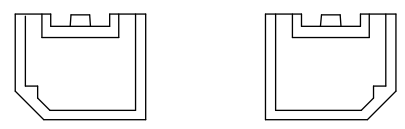
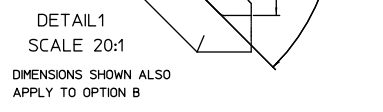


NOTE:  
FOR MORE KEYING OPTIONS SEE  
999-U-USB-Z01 SHEET 2 OF 2



999-U-USB-B01	B	GREY
999-U-USB-A01	A	BLACK
EWCAP P/N	OPTION	MATING CONNECTOR COLOR
4		



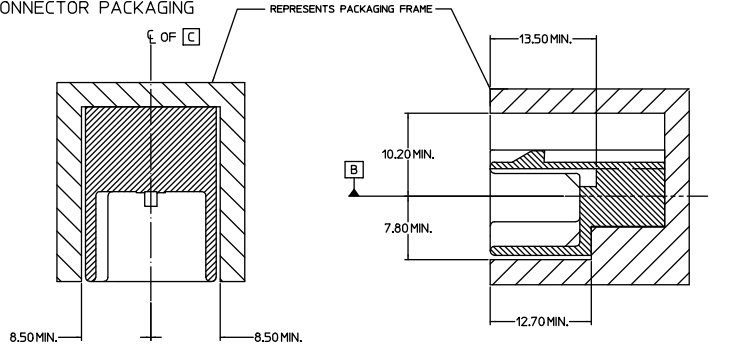
- NOTES: UNLESS OTHERWISE SPECIFIED
- ALL DIMENSIONS SHOWN IN MILLIMETERS
  - DIMENSIONING AND TOLERANCING PER ASME Y14.5M-1994
  - 0.5° MAXIMUM DRAFT ANGLE
  - DRAFT ANGLE PERMISSIBLE ONLY WITHIN DRAWING TOLERANCE
  - ALL UNSPECIFIED RADII: 0.30mm
  - STANDARD COLORS FOR POLARIZATION, DEVIATION REQUIRES APPROVAL OF AUTHORIZED PERSON.
  - HORIZONTAL MOUNT USB MINI B SHOWN FOR REFERENCE ONLY. FOR USB MINI B DIMENSIONS AND REQUIREMENTS, SEE USB 2.0 SPECIFICATION.
  - FEATURES BEYOND DATUM A ARE NECESSARY TO COMPLETE THE SHROUD AND USB ASSEMBLY. THE DESIGN OF THESE ADDITIONAL FEATURES IS OUTSIDE THE SCOPE OF THIS SPECIFICATION.
  - MATING INTERFACE DIMENSIONS MUST BE MAINTAINED REGARDLESS OF USB RECEPTACLE MOUNTING ORIENTATION.

086	C	ADDED DIM SHT ON 20F2	12-10-10	JR	JR
	B	ADDED SHEET 2	12-12-08	JR	JR
	A	INITIAL RELEASE	5-23-06	JK	
CHANGE SERIAL NUMBER	LET	REVISION RECORD	DATE	DWN	CHK

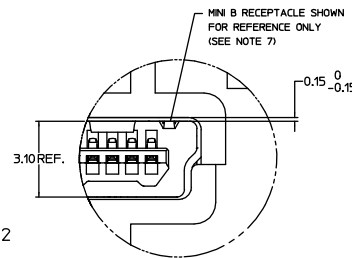
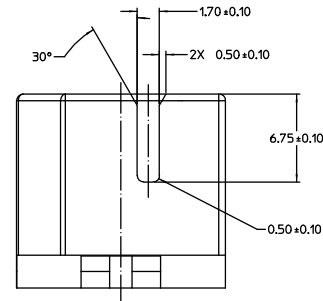
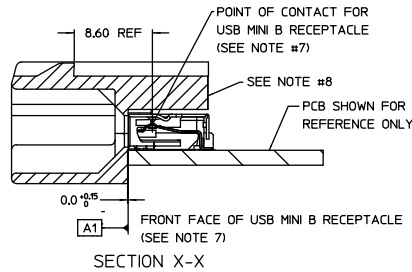
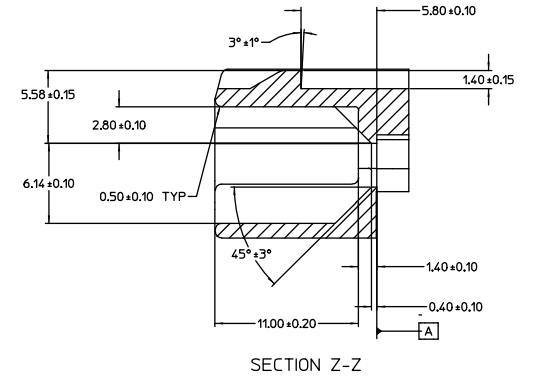
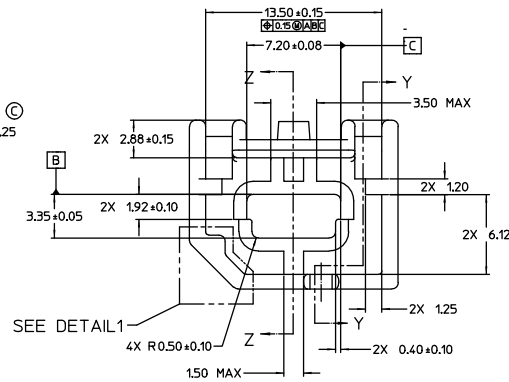
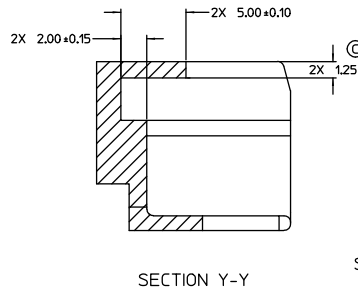
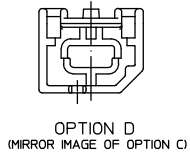
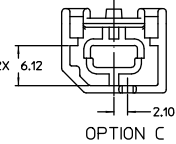
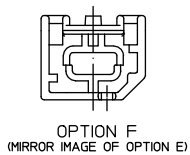
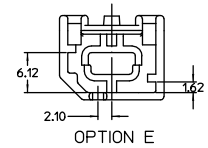
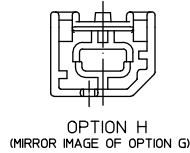
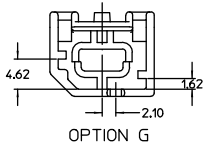
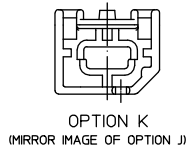
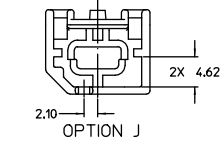
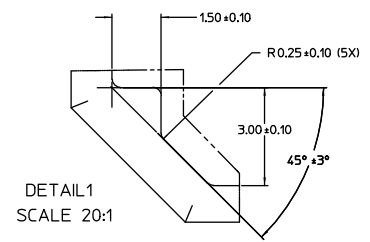
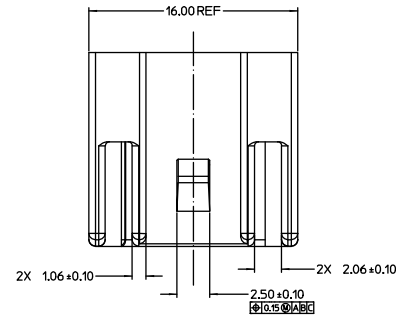
TOLERANCES (UNLESS OTHERWISE SPECIFIED)		THIRD ANGLE PROJECTION	
DIMENSIONS ARE IN MILLIMETERS			
ANGLES = 2°			
XX ± 0.25	XX ± 0.10		
SCALE 10 - 1	DRAWN BY J. KACHLE	CHECKED BY J. BURNSIDE	DATE 05-23-06
TITLE CONNECTOR SHROUD USB, MINI B RECEPTACLE			
SHEET 10 of 10	DRAWING NUMBER 999-U-USB-Z01	SIZE E	DO NOT SCALE DIMENSIONS COMPUTER AIDED DRAWING
		REVISION LEVEL	C



MINIMUM CLEARANCE REQUIRED FOR CONNECTOR PACKAGING



REPRESENTS PACKAGING FRAME



NOTES: UNLESS OTHERWISE SPECIFIED

1. ALL DIMENSIONS SHOWN IN MILLIMETERS
2. DIMENSIONING AND TOLERANCING PER ASME Y14.5M-1994
3. 0.5° MAXIMUM DRAFT ANGLE
4. DRAFT ANGLE PERMISSIBLE ONLY WITHIN DRAWING TOLERANCE
5. ALL UNSPECIFIED RADII: 0.30mm
6. STANDARD COLORS FOR POLARIZATION, DEVIATION REQUIRES APPROVAL OF AUTHORIZED PERSON.
7. HORIZONTAL MOUNT USB MINI B SHOWN FOR REFERENCE ONLY. FOR USB MINI B DIMENSIONS AND REQUIREMENTS, SEE USB 2.0 SPECIFICATION.
8. FEATURES BEYOND DATUM A ARE NECESSARY TO COMPLETE THE SHROUD AND USB ASSEMBLY. THE DESIGN OF THESE ADDITIONAL FEATURES IS OUTSIDE THE SCOPE OF THIS SPECIFICATION.
9. MATING INTERFACE DIMENSIONS MUST BE MAINTAINED REGARDLESS OF USB RECEPTACLE MOUNTING ORIENTATION.

FOR OPTION A AND B SEE USCAR DRAWING 999-U-USB-Z01

999-U-USB-K01	K	GRAY
999-U-USB-J01	J	BLACK
999-U-USB-H01	H	GRAY
999-U-USB-G01	G	BLACK
999-U-USB-F01	F	GRAY
999-U-USB-E01	E	BLACK
999-U-USB-D01	D	GRAY
999-U-USB-C01	C	BLACK
EWCAP P/N	OPTION	MATING CONNECTOR COLOR

086	C	ADDED DIMENSION	12-16-2010	JR	JR
	B	ADDED SHEET 20F2	12-12-2008	JR	JR
	A	INITIAL RELEASE	11-4-2008	JR	JR
CHANGE SERIAL NUMBER	LET	REVISION RECORD	DATE	DWN	CHK

TOLERANCES (UNLESS OTHERWISE SPECIFIED)		THIRD ANGLE PROJECTION	
DIMENSIONS ARE IN MILLIMETERS			
ANGLES ± 2°			
XX ± 0.25	XX ± 0.10		

SCALE	B - 1	DRAWN BY	J. REEVES	CHECKED BY	K. MONROE	DATE	11-04-2008
TITLE CONNECTOR SHROUD USB, MINI B RECEPTACLE							
SHEET	DRAWING NUMBER	SIZE	DO NOT SCALE DIMENSIONS FROM THIS DRAWING	REVISION LEVEL			
FROM:	999-U-USB-Z01	E		C			

