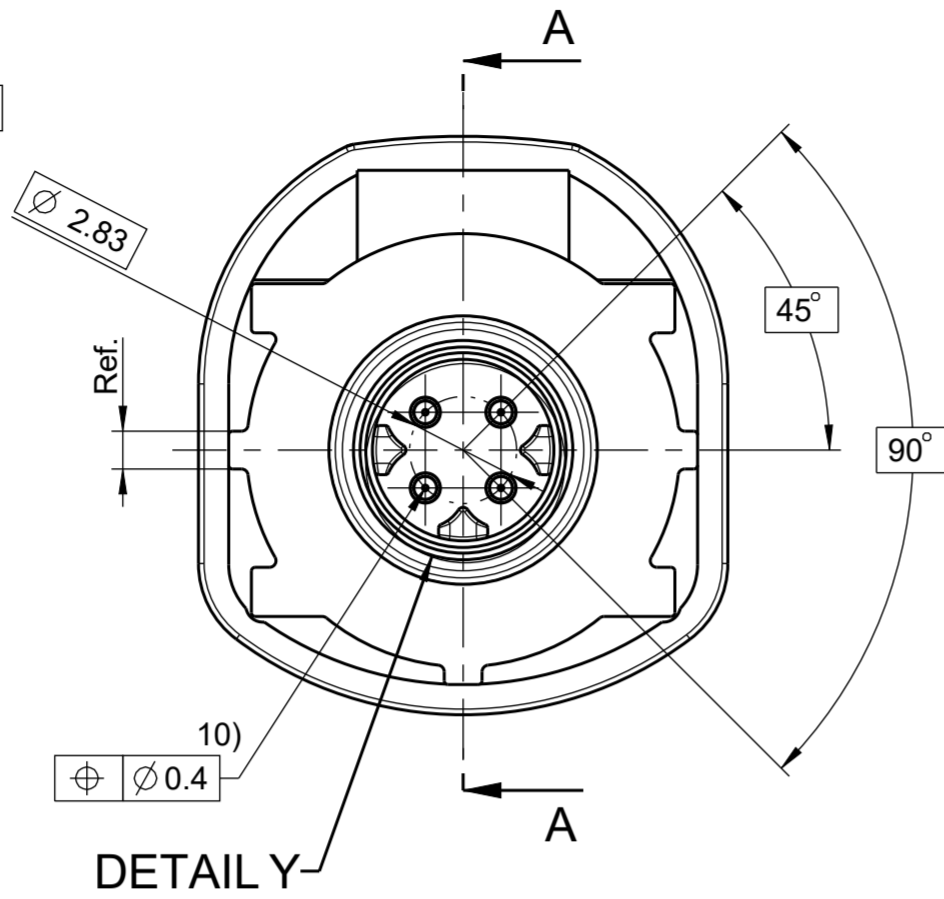
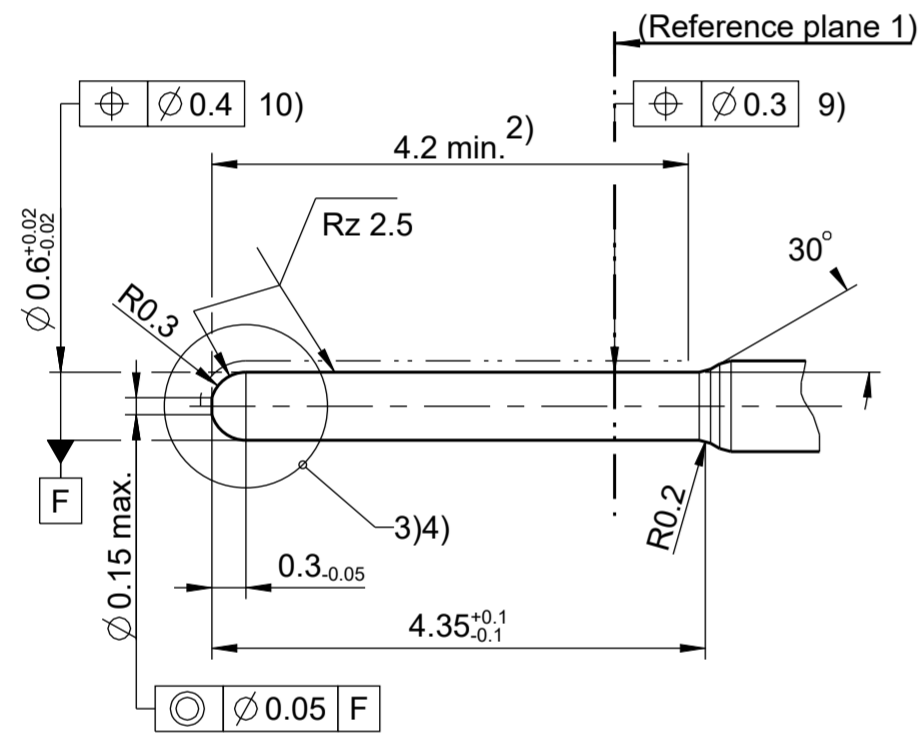


DETAIL Y  
10:1

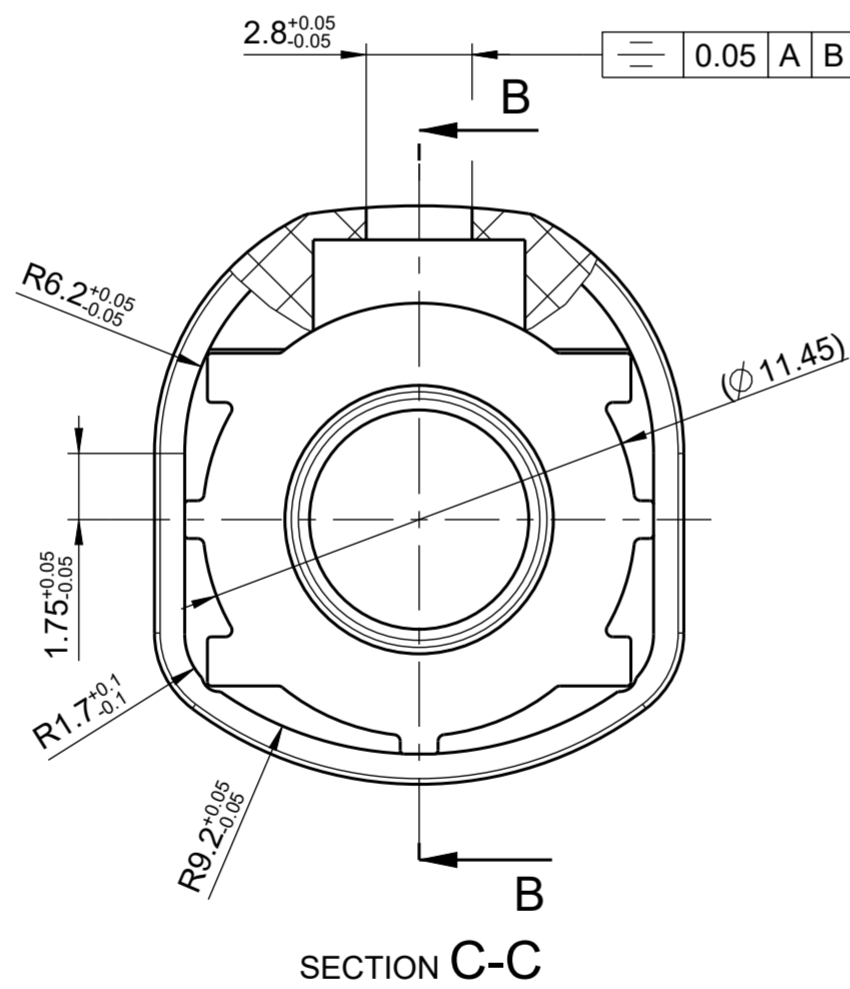


DETAIL Y

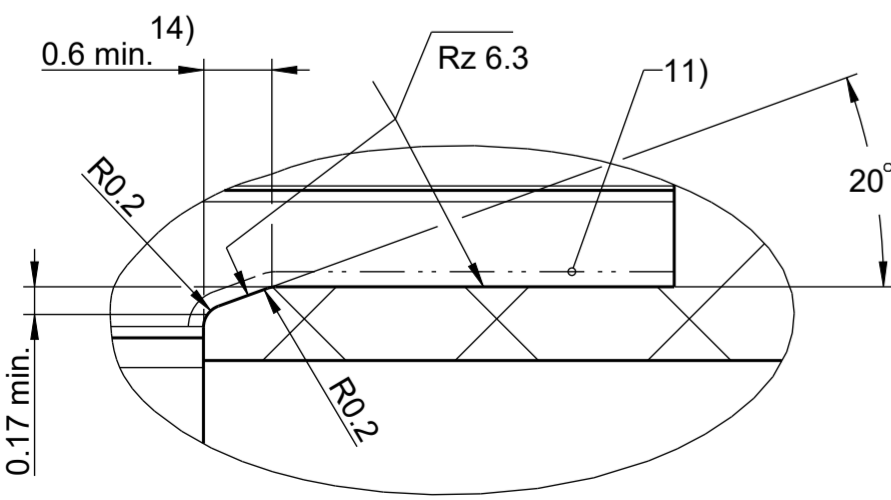


CONTACT

DETAIL Z  
15:1

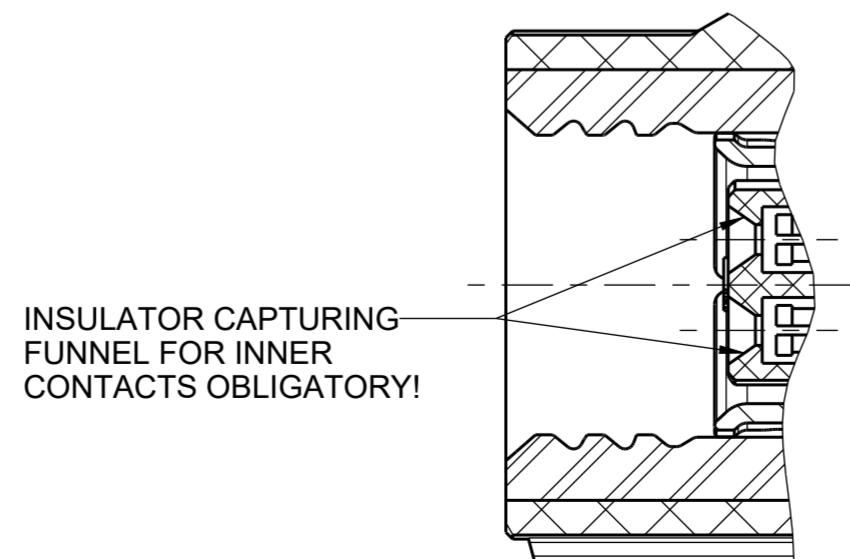


SECTION C-C



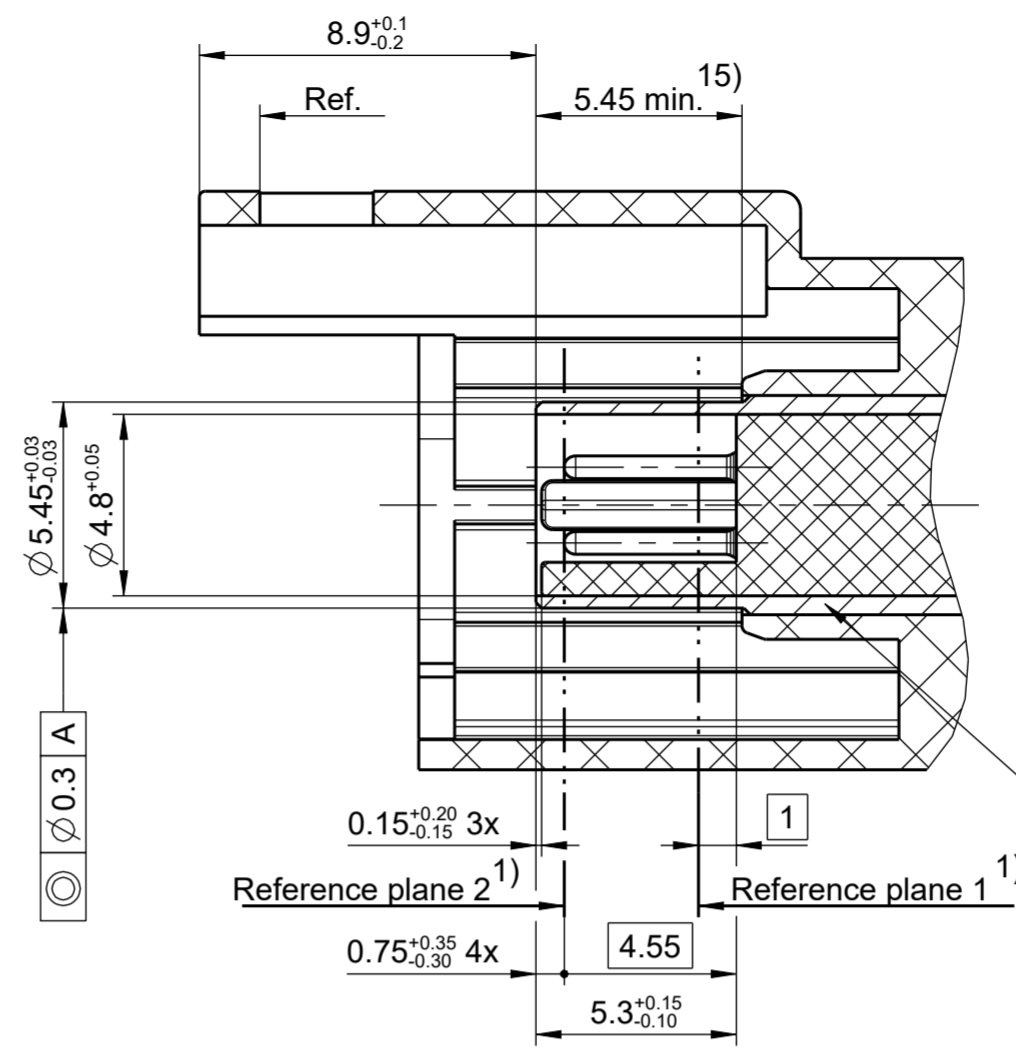
DETAIL X  
15:1

SOCKET CONTACT

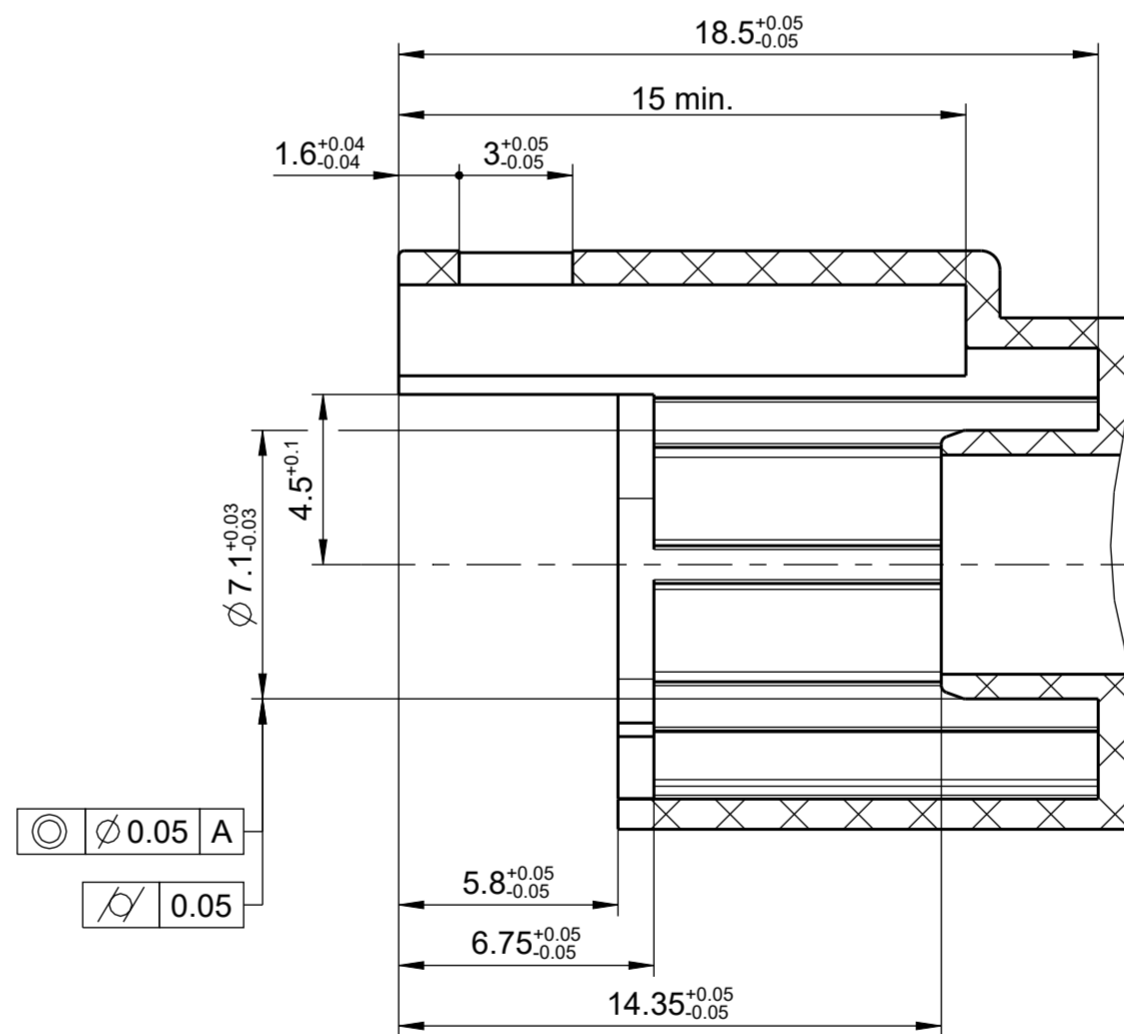


INSULATOR CAPTURING  
FUNNEL FOR INNER  
CONTACTS OBLIGATORY!

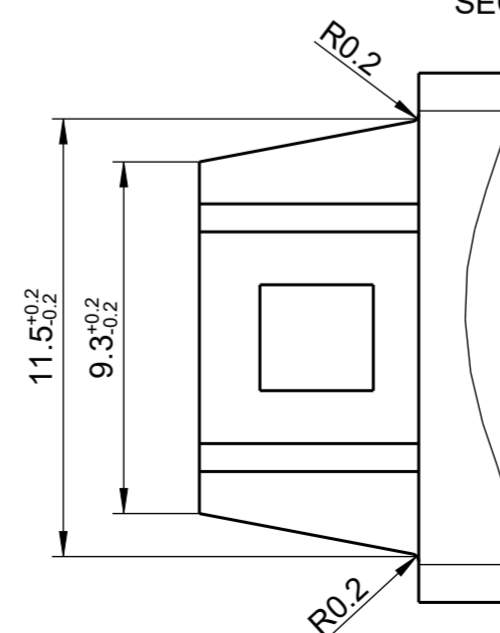
VARIANT 2  
FOR CABLE DOWN, LEFT, RIGHT, STRAIGHT



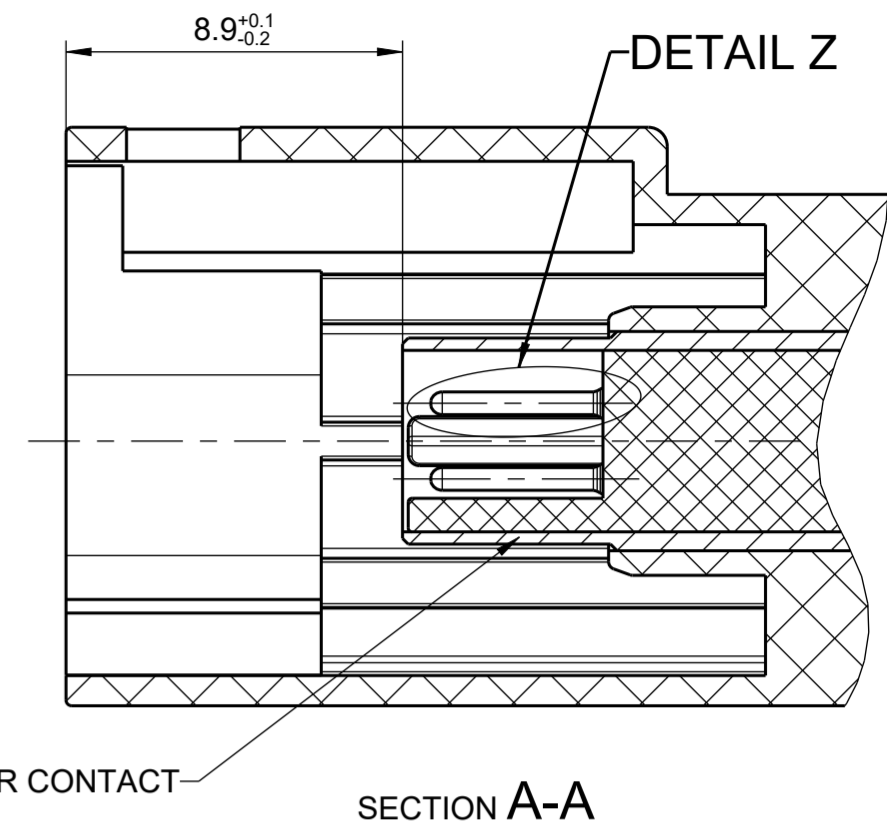
SECTION A-A



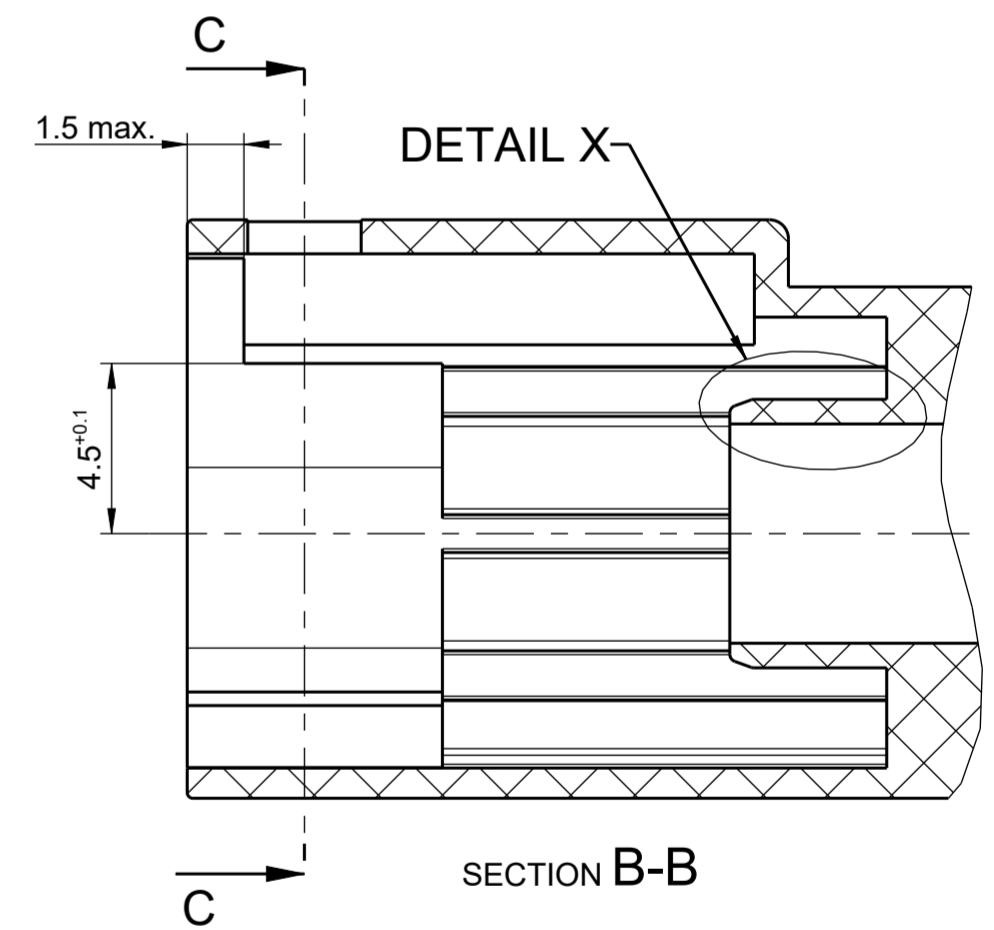
SECTION B-B



VARIANT 1  
ONLY FOR CABLE STRAIGHT



SECTION A-A



SECTION B-B

TOLERANCES (UNLESS OTHERWISE SPECIFIED)		THIRD ANGLE PROJECTION	
DIMENSIONS ARE IN MILLIMETERS			
DIMENSIONING AND TOLERANCE IN ACCORDANCE WITH ASME Y14.5-2009			

USCAR-EWCAP

SCALE 5:1	DRAWN BY ANTON PETER	CHECKED BY R C BURDICK	DATE 6/04/18
--------------	-------------------------	---------------------------	-----------------

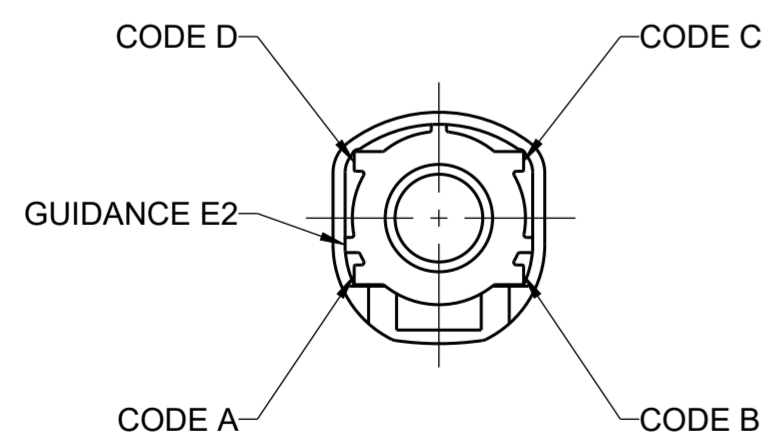
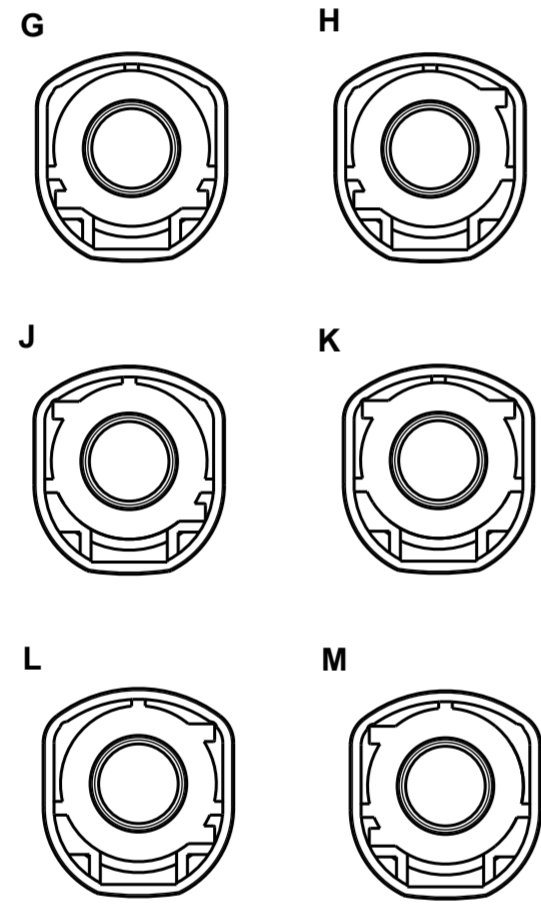
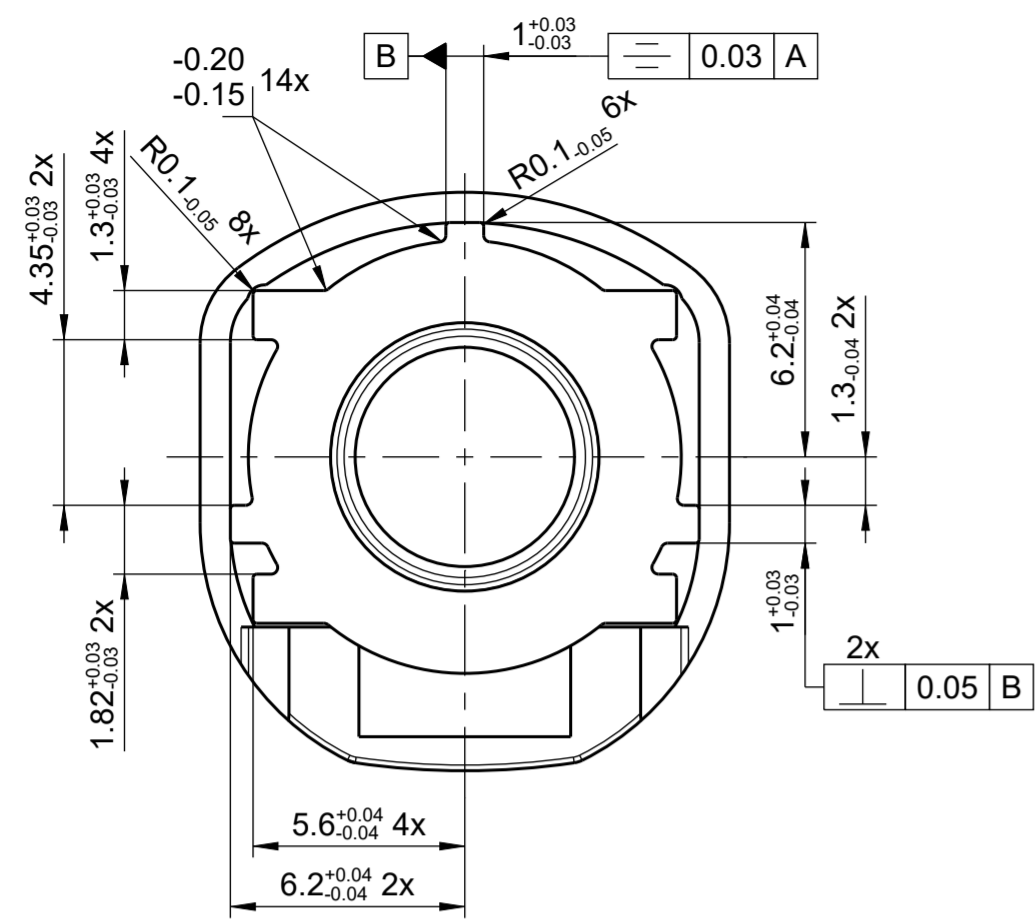
HSD-INTERFACE WATERPROOF

SHEET 2 of 4	DRAWING NUMBER 999-S-004-2-Z01	SIZE A2	DO NOT SCALE DRAWING COMPUTER AIDED DRAWING	REVISION LEVEL A
-----------------	-----------------------------------	------------	--	------------------------

Rosenberger

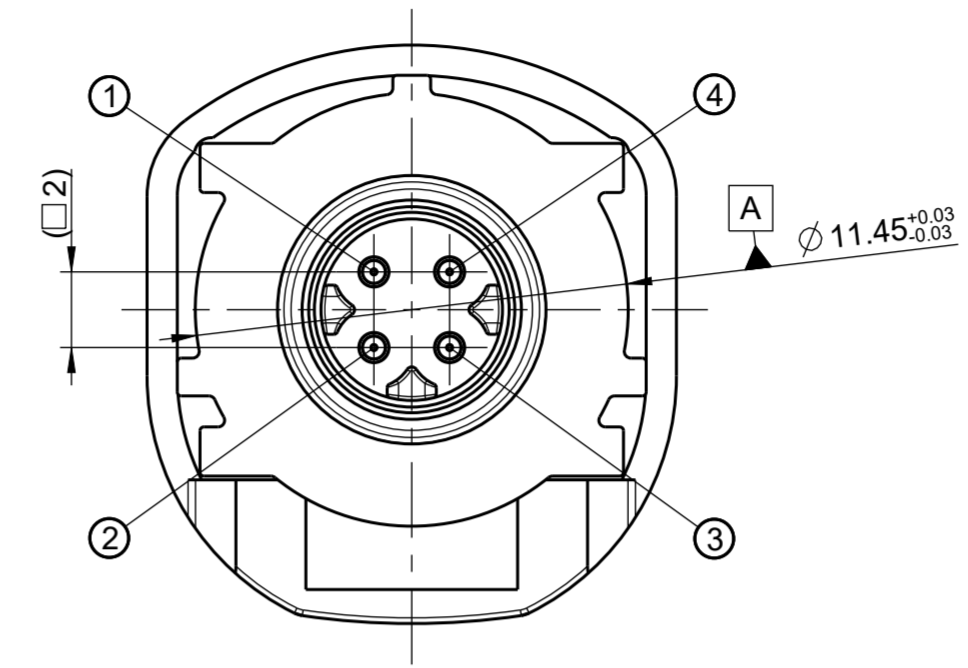
D-84526 Tittmonig  
Germany

VARIANT 3

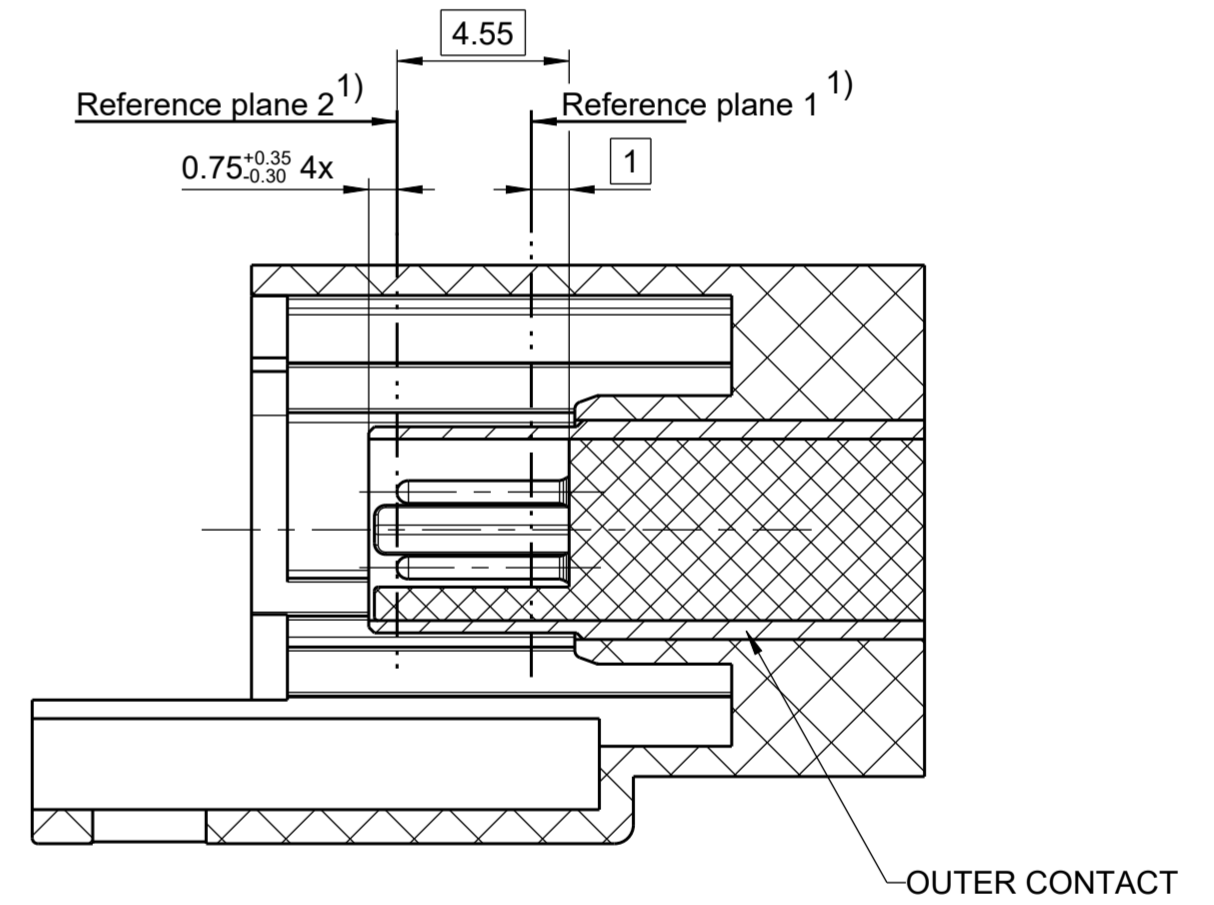
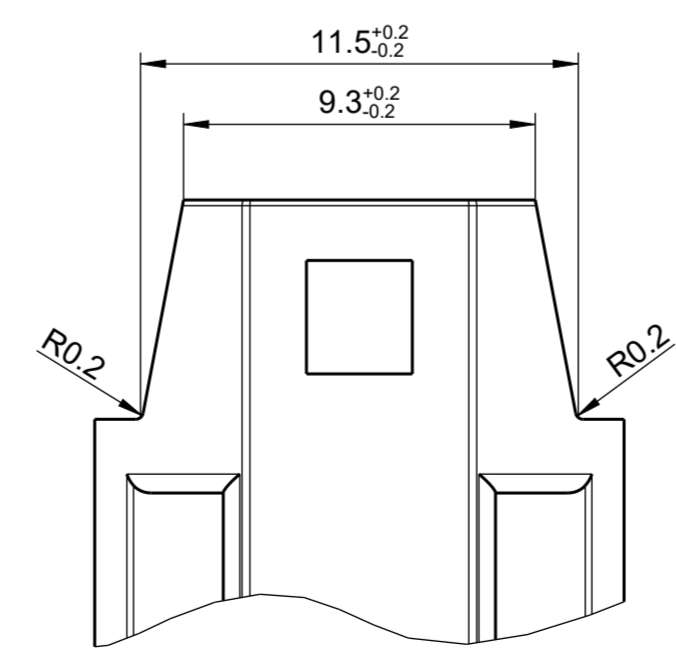
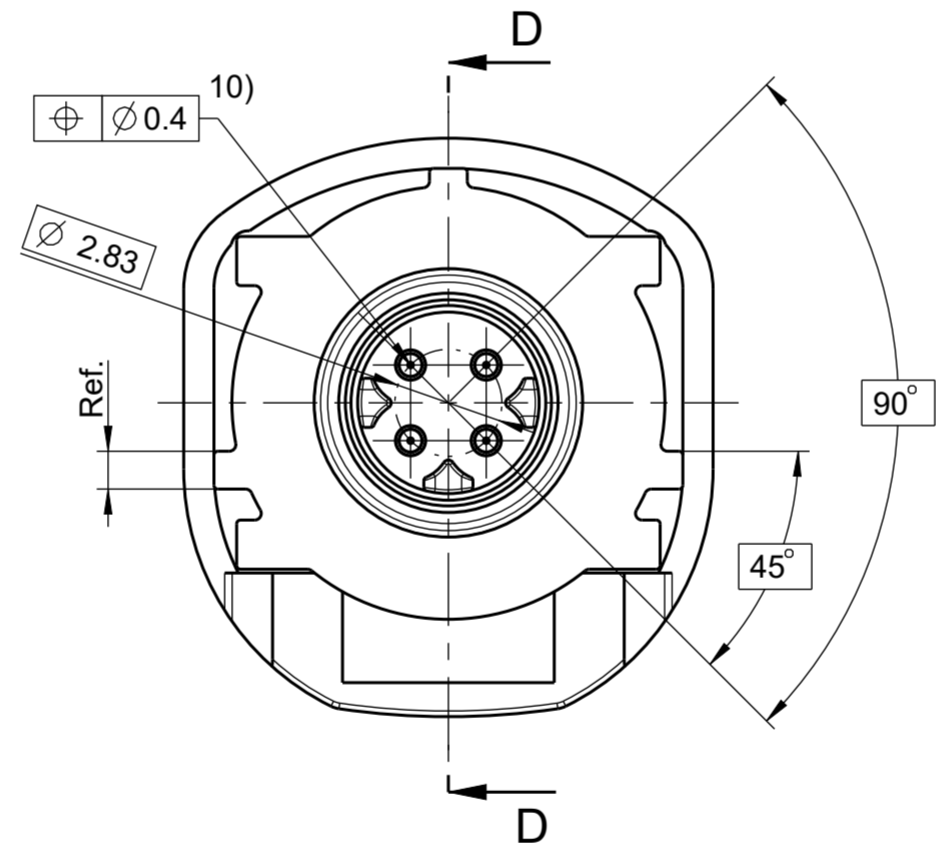


EWCAP REF. NO	CODE / TYPE	COLOR	SIMILAR RAL-NO
999-S-004-2-M01	M = A-D-E2	pastel orange	2003
999-S-004-2-L01	L = B-C-E2	yellow green	6018
999-S-004-2-K01	K = C-D-E2	curry	1027
999-S-004-2-J01	J = B-D-E2	beige	1001
999-S-004-2-H01	H = A-C-E2	heather violet	4003
999-S-004-2-G01	G = A-B-E2	blue grey	7031

VARIANT 3  
ONLY FOR CABLE UP



PINNING STANDARD MUST BE CONSIDERED  
REFER TO ROSENBERGER RN\_053-01



SECTION D-D

TOLERANCES (UNLESS OTHERWISE SPECIFIED)				THIRD ANGLE PROJECTION	
DIMENSIONS ARE IN MILLIMETERS					
DIMENSIONING AND TOLERANCE IN ACCORDANCE WITH ASME Y14.5-2009					
<i>USCAR-EWCAP</i>					
SCALE	DRAWN BY	CHECKED BY	DATE		
5:1	ANTON PETER	R C BURDICK	6/04/18		
TITLE <b>HSD-INTERFACE WATERPROOF</b>					
SHEET	DRAWING NUMBER	SIZE	DO NOT SCALE DRAWING	REVISION	LEVEL
3 of 4	999-S-004-2-Z01	A2	COMPUTER AIDED DRAWING		A

**Rosenberger**  
D-84526 Tittmoning  
Germany

NOTICE

EWCAP HAS SELECTED COMMON DIMENSIONS FOR THE CONNECTOR(S) DEPICTED AND DESCRIBED HEREIN (LISTED BELOW). FURTHER, EWCAP HAS SELECTED FOR PUBLICATION THIS DRAWING (AND ITS COMPANION ELECTRONIC MODEL) PREPARED BY ROSENBERGER AS REPRESENTATIVE OF A CONNECTOR HAVING THESE DIMENSIONS. IN EXCHANGE FOR THE CONSIDERATION OF THE SELECTION OF THIS DRAWING FOR PUBLICATION (INCLUDING POSTING ON EWCAP'S WEB SITE) AND OTHER GOOD AND VALUABLE CONSIDERATION FLOWING FROM THIS SECTION, ROSENBERGER HEREBY AGREES ON BEHALF OF ITSELF AND ITS SUCCESSORS AND ASSIGNS, WITH RESPECT TO ANY COPYRIGHTS IT MAY HAVE IN THIS DRAWING AS WELL AS ANY PATENT RIGHTS IT MAY HAVE IN THE CONNECTOR ILLUSTRATED IN THIS DRAWING, NOT TO ENFORCE SUCH COPYRIGHTS AND PATENTS AGAINST ANY PERSON OR ENTITY ON ACCOUNT OF THEIR ACTIVITIES TO MAKE, HAVE MADE, USE AND SELL THE CONNECTOR ILLUSTRATED IN THIS DRAWING FOR VEHICULAR APPLICATIONS. THE TERM "CONNECTOR" AS USED IN THIS PARAGRAPH IS LIMITED SOLELY TO THE STRUCTURE SPECIFICALLY ILLUSTRATED IN THIS DRAWING.

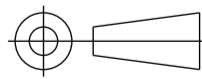
SIGNED A. PETER FOR ROSENBERGER. DATE: 6/04/18  
 NAME AND TITLE OF SIGNER: A. PETER

THE PERSON SIGNING THIS AGREEMENT REPRESENTS AND WARRANTS THAT (1) HE OR SHE IS DULY AUTHORIZED AND HAS LEGAL CAPACITY TO EXECUTE AND DELIVER AGREEMENT ON BEHALF OF ROSENBERGER, (2) THE EXECUTION AND DELIVERY OF THIS AGREEMENT AND THE PERFORMANCE OF ROSENBERGER PURSUANT TO THE TERMS OUTLINED ABOVE HAVE BEEN DULY AUTHORIZED AND THAT THIS AGREEMENT IS A VALID AND LEGAL AGREEMENT BINDING ON JUNE 4, 2018 AND ENFORCEMENT IN ACCORDANCE WITH ITS TERMS.

NO WARRANTIES OR INDEMNITIES OF ANY KIND ARE MADE OR IMPLIED BY ROSENBERGER OR EWCAP. IN PARTICULAR THERE ARE NO EXPRESS OR IMPLIED WARRANTIES OF FITNESS FOR A PARTICULAR PURPOSE, MERCHANTABILITY, NON-INFRINGEMENT OR ANY OTHER WARRANTY OF ANY KIND. IN ADDITION, THERE ARE NO EXPRESS OR IMPLIED WARRANTIES OR INDEMNITIES OF ANY KIND RELATING TO THIRD PARTY CLAIMS ARISING UNDER THE INTELLECTUAL PROPERTY LAWS OF ANY COUNTRY. ANYONE USING THE INFORMATION IN THIS DRAWING DOES SO AT THEIR OWN RISK.

APPLICABLE EWCAP DRAWING NUMBERS:  
 999-U-004-2-Z01  
 999-S-004-2-Z01

**Rosenberger**  
 D-84526 Tittmoning  
 Germany

TOLERANCES (UNLESS OTHERWISE SPECIFIED)		THIRD ANGLE PROJECTION	
DIMENSIONS ARE IN MILLIMETERS			
DIMENSIONING AND TOLERANCE IN ACCORDANCE WITH ASME Y14.5-2009			
<i>USCAR-EWCAP</i>			
SCALE	DRAWN BY	CHECKED BY	DATE
5:1	ANTON PETER	R C BURDICK	6/04/18
TITLE			
<b>HSD-INTERFACE WATERPROOF</b>			
SHEET	DRAWING NUMBER	SIZE	DO NOT SCALE DRAWING COMPUTER AIDED DRAWING
4 of 4	999-S-004-2-Z01	A2	REVISION LEVEL <b>A</b>