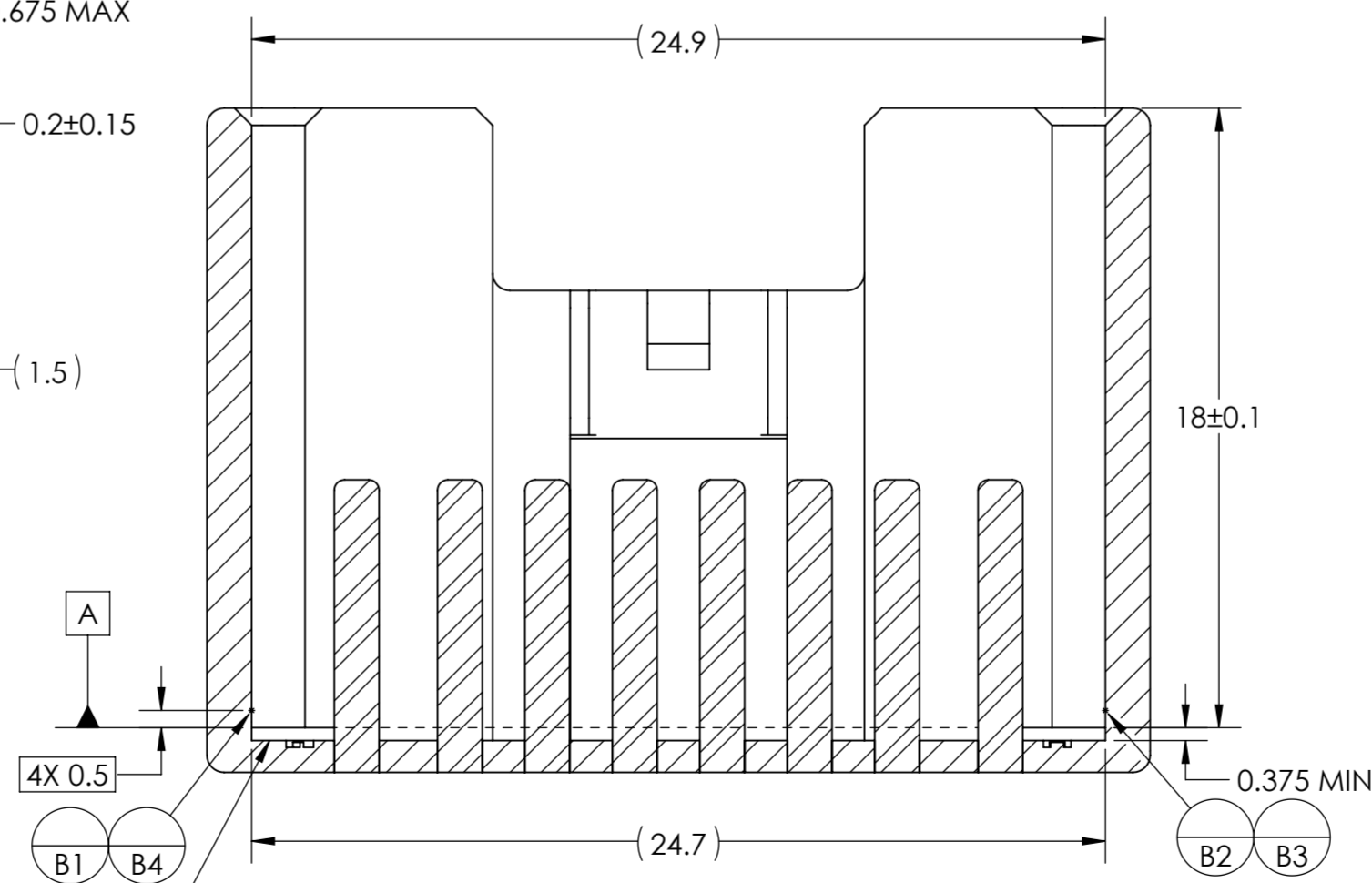
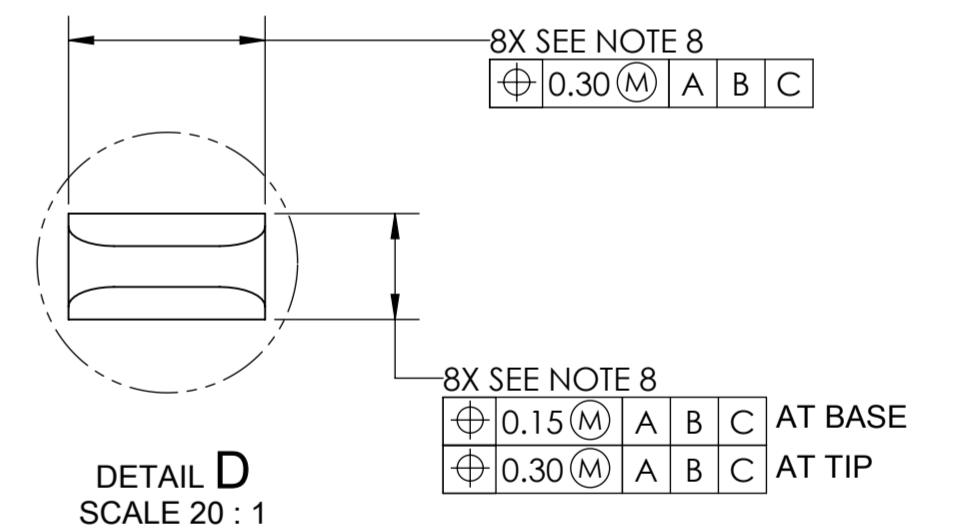


DETAIL E  
SCALE 10 : 1



SECTION B-B



DETAIL D  
SCALE 20 : 1

CONSTRUCTION BELOW THIS SURFACE IS NOT CONTROLLED BY EWCAP. NO PLASTIC FEATURES MAY EXTEND ABOVE THIS SURFACE EXCEPT FOR DATUM A PADS WHICH EXTEND 0.375mm ABOVE THIS SURFACE.




120-U-008-1-Z01

TOLERANCES (UNLESS OTHERWISE SPECIFIED)		THIRD ANGLE PROJECTION	
DIMENSIONS ARE IN MILLIMETERS			
ANGLES ± 0° 30'			
<b>USCAR-EWCAP</b>			
SCALE	DRAWN BY	CHECKED BY	DATE
5:1	D. BENNETT	J. MILLER	01-27-17
TITLE <b>8 WAY 1X8 UNSEALED INTERFACE 1.2mm CONNECTORS</b>			
SHEET	DRAWING NUMBER	SIZE	REVISION LEVEL
2 of 2	120-U-008-1-Z01	A2	A
DO NOT SCALE DRAWING		COMPUTER AIDED DRAWING	

**EWCAP Legal Notice  
(Required on all EWCAP Drawings)  
Revision 1-16-2015**

NOTICE

EWCAP has selected common dimensions for the connector(s) depicted and described herein (listed below). Further, EWCAP has selected for publication this drawing (and its companion electronic model) prepared by Yazaki North America, Inc. as representative of a connector having these dimensions. In exchange for the consideration of the selection of this drawing for publication (including posting on EWCAP's web site) and other good and valuable consideration flowing from this selection, Yazaki North America, Inc. hereby agrees on behalf of itself and its successors and assigns, with respect to any copyrights it may have in this drawing as well as any patent rights it may have in the connector illustrated in this drawing, not to enforce such copyrights and patents against any person or entity on account of their activities to make, have made, use and sell the connector illustrated in this drawing for vehicular applications. The term "connector" as used in this paragraph is limited solely to the structure specifically illustrated in this drawing.

Signed  for Yazaki North America, Inc. Date 2/23/17

Name and title of signer: Kent Hoffman – Vice President, Component Business Unit

The person signing this Agreement represents and warrants that (1) he or she is duly authorized and has legal capacity to execute and deliver this Agreement on behalf of Yazaki North America, Inc., (2) the execution and delivery of this Agreement and the performance of Yazaki North America, Inc. pursuant to the terms outlined above have been duly authorized and that this Agreement is a valid and legal agreement binding on Yazaki North America, Inc. and enforceable in accordance with its terms.

No warranties or indemnities of any kind are made or implied by Yazaki North America, Inc. or EWCAP. In particular there are no express or implied warranties of fitness for a particular purpose, merchantability, non-infringement or any other warranty of any kind. In addition, there are no express or implied warranties or indemnities of any kind relating to third party claims arising under the intellectual property laws of any country. Anyone using the information in this drawing does so at their own risk.

Applicable EWCAP Drawing Numbers:

120-U-008-1-Z01  
\_\_\_\_\_  
\_\_\_\_\_