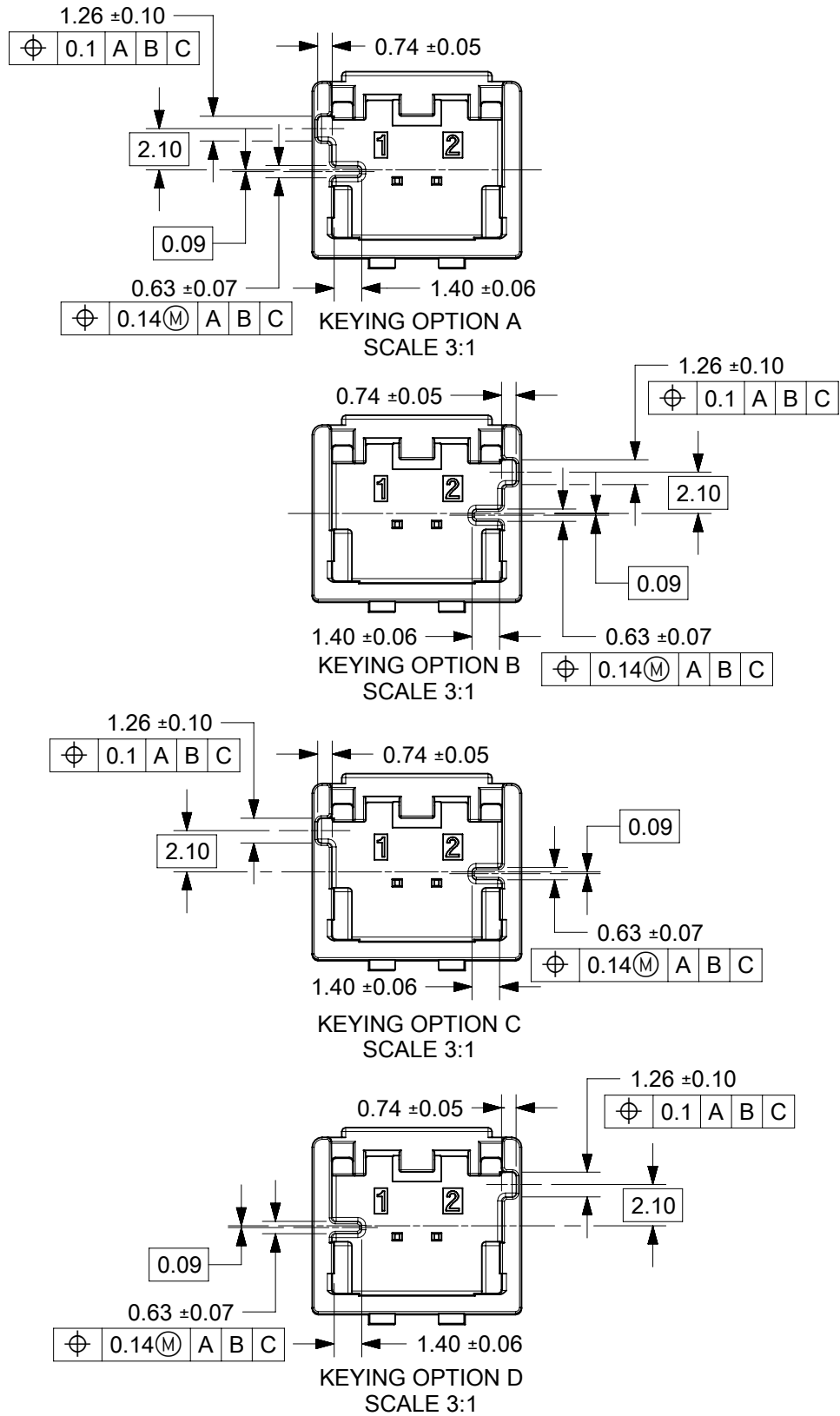
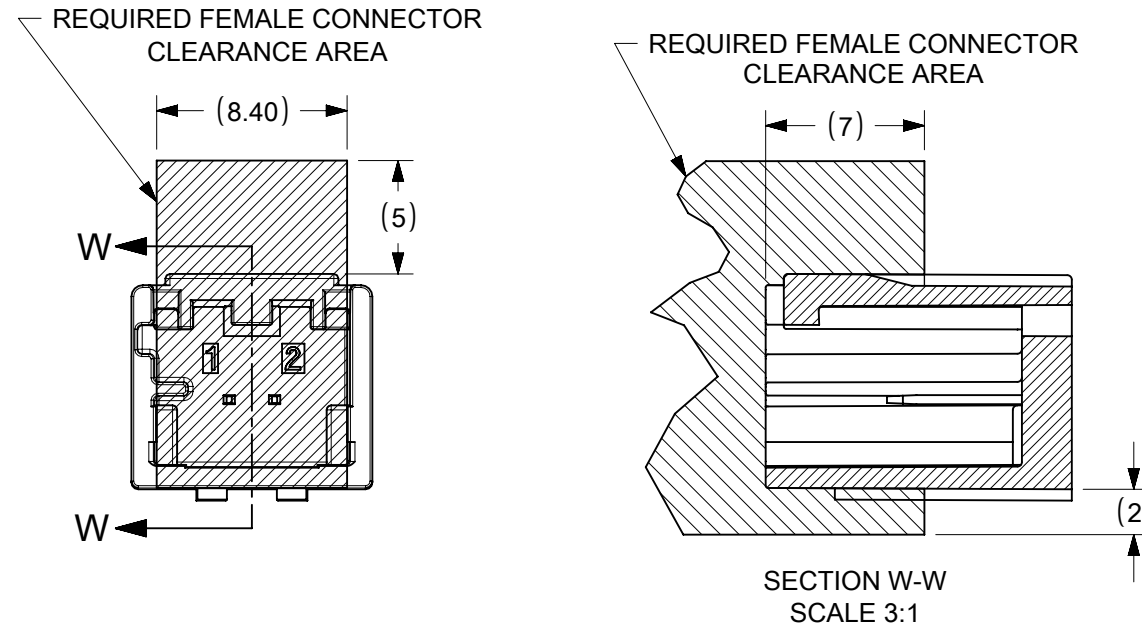


INDEX OPTIONS



PACKAGING VIEW



NOTES: UNLESS OTHERWISE SPECIFIED

1. DIMENSIONING AND TOLERANCING PER ASME Y14.5
2. 0.25 RADII MAX ON ALL CORNERS SHOWN SHARP.
3. ALL UNSPECIFIED RADII 0.25.
4. STANDARD COLORS FOR POLARIZATION (SEE CHART IN LEFT LOWER CORNER OF THE DRAWING SHEET).
5. REFER TO "SAE/USCAR 12 CONNECTOR DESIGN CRITERIA" FOR ADDITIONAL REQUIREMENTS.
6. EXCEPT WHERE NOTED, DRAFT ON OUTSIDE SURFACES IS PERMISSIBLE WITHIN TOLERANCE
7. SYMBOL INDICATES DRAFT DIRECTION.
8. FOR TERMINAL MATERIAL, DIMENSIONAL, AND COATING REQUIREMENTS SEE EWCAP 001 BLADE DRAWING.
10. DENOTES DIMENSION THAT MAY BE UTILIZED TO MONITOR PART QUALITY.
12. CONNECTOR LOCK OVERTRAVEL OF 0.15mm MINIMUM IS ALLOWED.
13. PROVIDE FOR A MINIMUM OF 0.7mm MINIMUM RSS TERMINAL ENGAGEMENT BEGINING ON THE THIN BLADE SECTION BEYOND THE MALE TERMINAL COINED EDGE. THE MATING FEMALE CONNECTOR SHALL BE PULLED ALL THE WAY BACK IN THE HEADER CAVITY AND THE FEMALE TERMINAL SHALL BE PULLED ALL THE WAY BACK IN THE FEMALE CONNECTOR CAVITY.

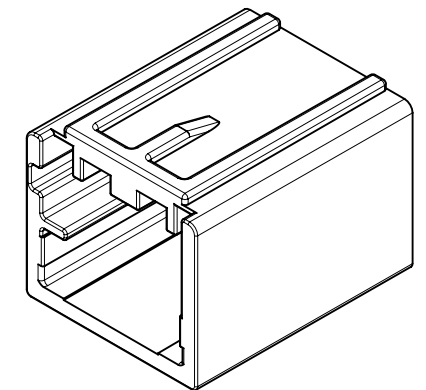
STANDARD NOTICE:

THIS DRAWING, OR PORTIONS OF IT ARE CONTROLLED BY THE ELECTRICAL WIRING COMPONENTS APPLICATION PARTNERSHIP (EWCAP) A SUBGROUP OF THE UNITED STATES COUNCIL FOR AUTOMOTIVE RESEARCH LLC (USCAR LLC).

USCAR IS AN LLC CONSISTING OF MEMBERS FROM FCA US LLC, FORD MOTOR COMPANY AND GM CORPORATION.

ANY CHANGE TO A EWCAP CONTROLLED PORTION OF THIS DRAWING, INCLUDING A REVISION RECORD CHANGE MUST BE APPROVED, IN WRITING, BY THE RESPONSIBLE EWCAP REPRESENTATIVE FROM EACH USCAR MEMBER COMPANY. EACH EWCAP REPRESENTATIVE AUTHORIZED TO SIGN FOR HIS OR HER MEMBER COMPANY IS RESPONSIBLE FOR OBTAINING ALL THE NECESSARY APPROVAL WITHIN THAT COMPANY PRIOR TO SIGNING FOR THE APPROVAL OF THE CHANGE.

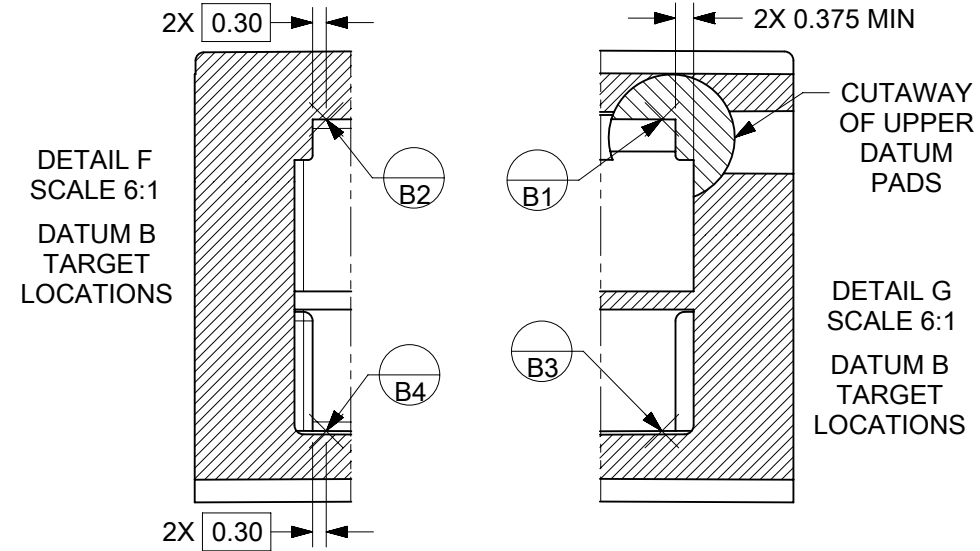
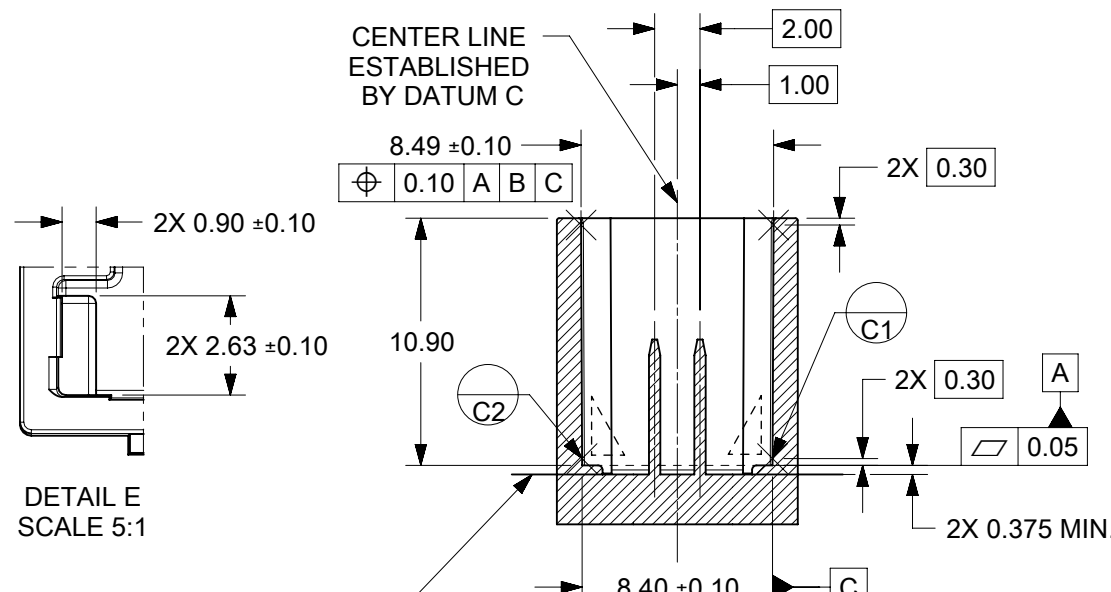
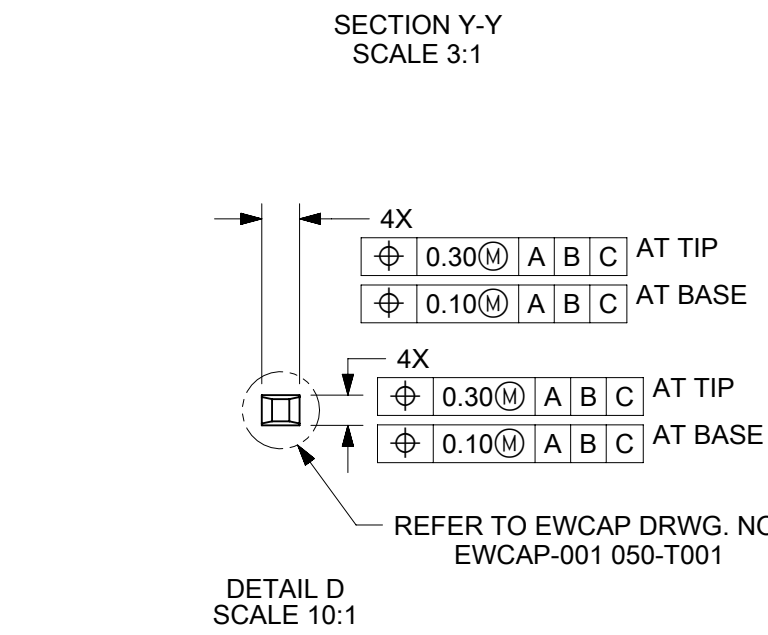
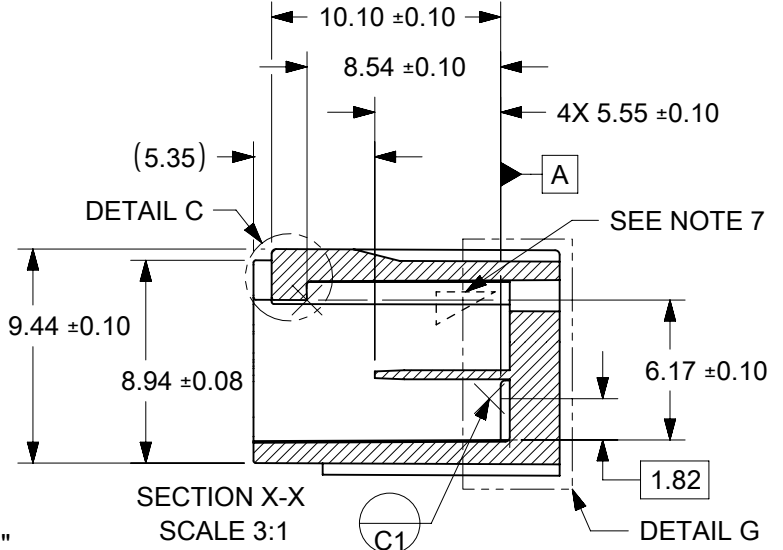
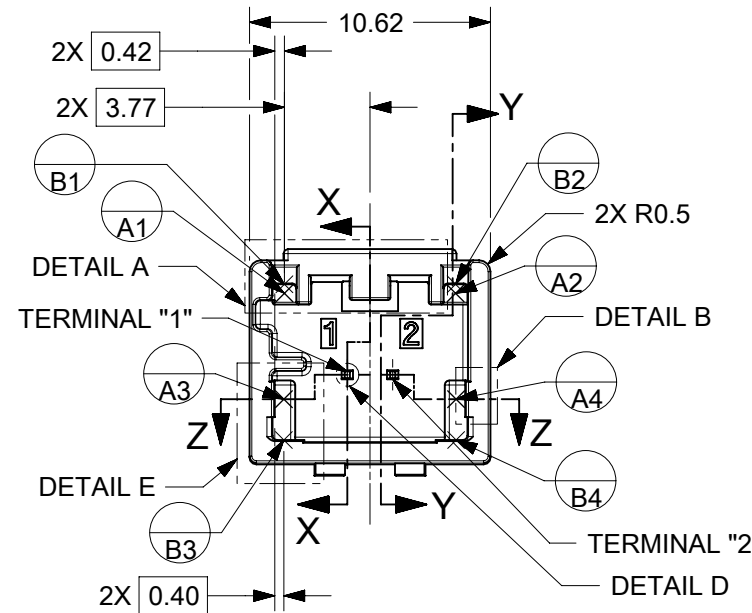
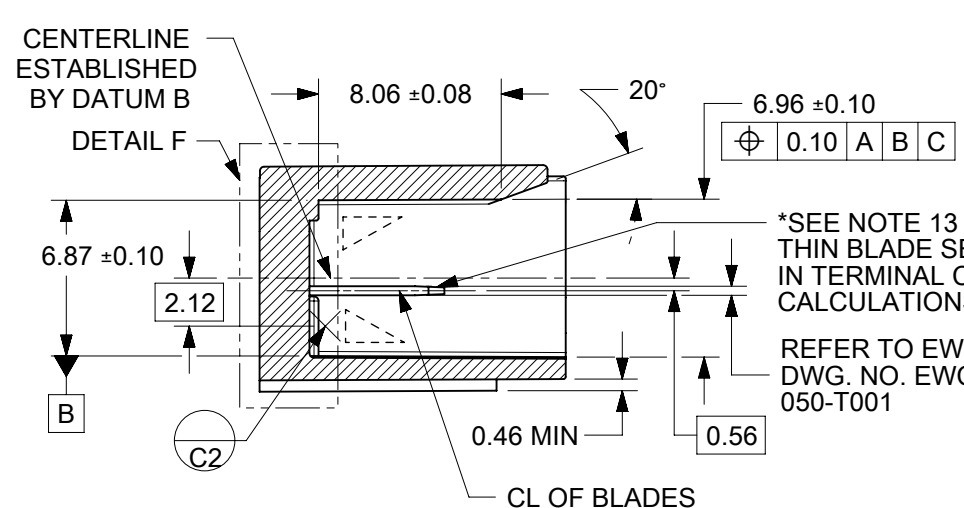
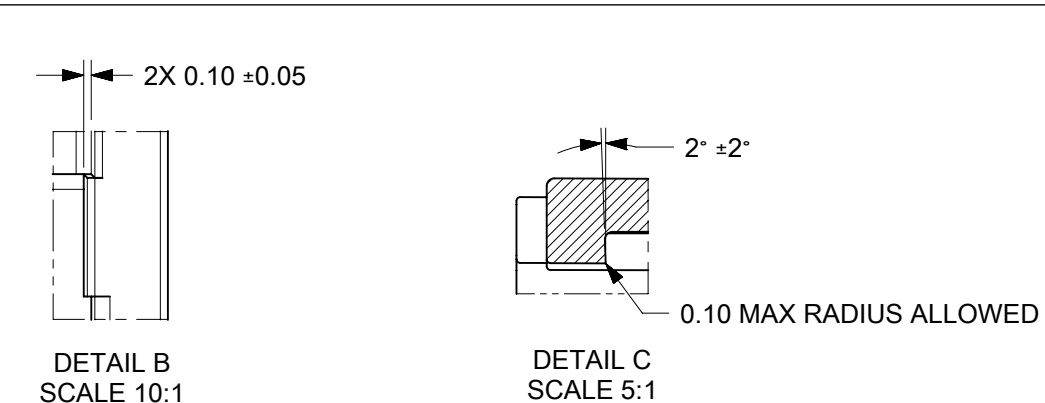
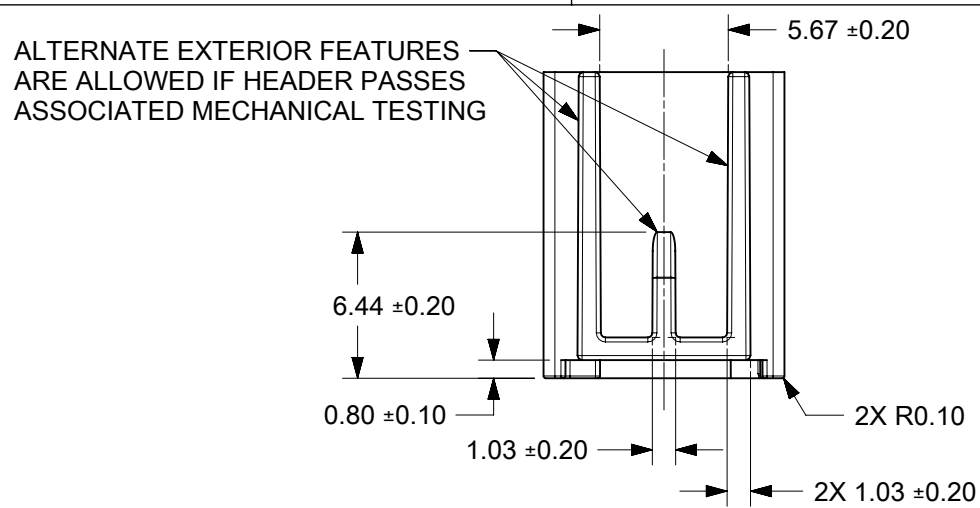
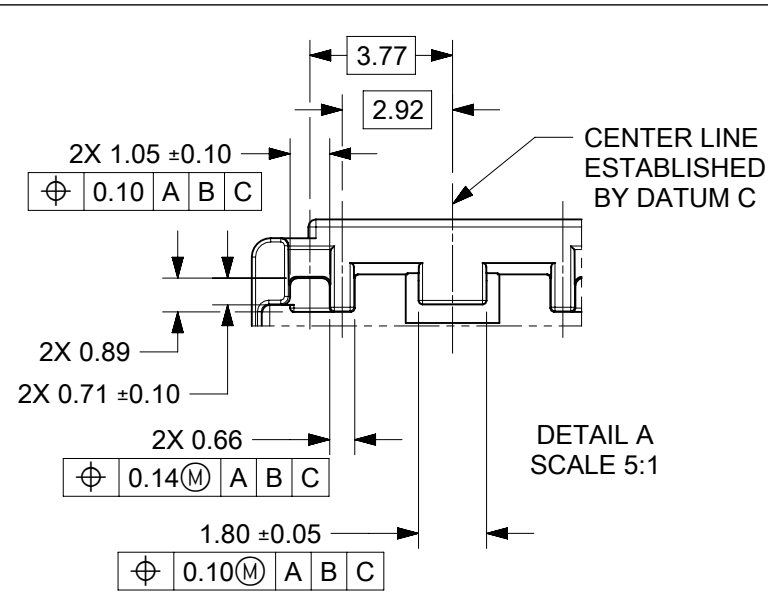
EWCAP EXPRESSLY PROHIBITS ANY PARTY FROM CHANGING EITHER ANY EWCAP CONTROLLED PORTION OF THIS DRAWING OR ANY ASSOCIATED TOOLING BEFORE RECEIVING APPROVAL, SIGNED BY THE AUTHORIZED REPRESENTATIVES, OF THE USCAR MEMBER COMPANIES. REFERENCE TO THE SIGNED CHANGE NOTICE MUST BE ENTERED IN THE DRAWING CONTROL COLUMN.



050-U-002-1-D01	D	GREEN
050-U-002-1-C01	C	DARK GRAY
050-U-002-1-B01	B	LIGHT GRAY
050-U-002-1-A01	A	BLACK
EWCAP P/N	OPTION	MATING CONNECTOR COLOR

172	B	OPTION B COLOR UPDATED TO "LIGHT GRAY"	8-10-2021	TM	JD
	A	INITIAL RELEASE	6-12-2019	TM	JD
CHANGE SERIAL NUMBER	LET	REVISION RECORD	DATE	DWN	CHK
TOLERANCES (UNLESS OTHERWISE SPECIFIED)			THIRD ANGLE PROJECTION		
DIMENSIONS ARE IN MILLIMETERS					
ANGLES ±3°					
X ±0.25			XX ±0.13		
EWCAP					
SCALE	3- 1	DRAWN BY	T. MACHUGA	CHECKED BY	J. DUNA J
DATE		6-12-19			
TITLE					
2 WAY (1X2) UNSEALED INTERFACE 0.50MM CONNECTORS					
SHEET	1 of 3	DRAWING NUMBER	050-U-002-1-Z01	REV	B
DO NOT SCALE DRAWING			COMPUTER AIDED DRAWING		
REVISION LEVEL			B		

molex®
050-U-002-1-Z01



CONSTRUCTION BELOW THIS SURFACE IS NOT CONTROLLED BY EWCAP. NO PLASTIC FEATURES MAY EXTEND ABOVE THIS SURFACE EXCEPT FOR DATUM A PADS WHICH EXTEND 0.375mm MIN ABOVE THIS SURFACE

TOLERANCES (UNLESS OTHERWISE SPECIFIED)				THIRD ANGLE PROJECTION	
DIMENSIONS ARE IN MILLIMETERS					
X ±0.25		ANGLES ±3°		XX ±0.13	
EWCAP					
SCALE 3-1	DRAWN BY T. MACHUGA	CHECKED BY J. DUNAJ	DATE 6-12-19		
TITLE 2 WAY (1X2) UNSEALED INTERFACE 0.50MM CONNECTORS					
SHEET 2 of 3	REV B	DO NOT SCALE DRAWING		REVISION LEVEL B	



NOTICE

EWCAP has selected common dimensions for the connector(s) depicted and described herein (listed below). Further, EWCAP has selected for publication this drawing (and its companion electronic model) prepared by MOLEX as representative of a connector having these dimensions. In exchange for the consideration of the selection of this drawing for publication (including posting on EWCAP's web site) and other good and valuable consideration flowing from this selection, MOLEX hereby agrees on behalf of itself and its successors and assigns, with respect to any copyrights it may have in this drawing as well as any patent rights it may have in the connector illustrated in this drawing, not to enforce such copyrights and patents against any person or entity on account of their activities to make, have made, use and sell the connector illustrated in this drawing for vehicular applications. The term "connector" as used in this paragraph is limited solely to the structure specifically illustrated in this drawing.

Signed Jeremy Dunaj for MOLEX. Date: 8/11/2021
Name and title of signer: Jeremy Dunaj, Engineering Supervisor

The person signing this Agreement represents and warrants that (1) he or she is duly authorized and has legal capacity to execute and deliver this Agreement on behalf of MOLEX, (2) the execution and delivery of this Agreement and the performance of MOLEX pursuant to the terms outlined above have been duly authorized and that this Agreement is a valid and legal agreement binding on MOLEX and enforceable in accordance with its terms.

No warranties or indemnities of any kind are made or implied by MOLEX or EWCAP. In particular there are no express or implied warranties of fitness for a particular purpose, merchantability, non-infringement or any other warranty of any kind. In addition, there are no express or implied warranties or indemnities of any kind relating to third party claims arising under the intellectual property laws of any country. Anyone using the information in this drawing does so at their own risk.

(050-U-002-1-Z01)



TOLERANCES (UNLESS OTHERWISE SPECIFIED)		THIRD ANGLE PROJECTION	
DIMENSIONS ARE IN MILLIMETERS			
ANGLES ±3°			
X ±0.25	XX ±0.13		
EWCAP			
SCALE 3- 1	DRAWN BY T. MACHUGA	CHECKED BY J. DUNAJ	DATE 6-12-19
TITLE 2 WAY (1X2) UNSEALED INTERFACE 0.50MM CONNECTORS			
SHEET 3 OF 3	PROJECT/CLIENT 050-U-002-1-Z01	REV. B	REVISION LEVEL B
DO NOT SCALE DRAWING COMPUTER AIDED DRAWING			