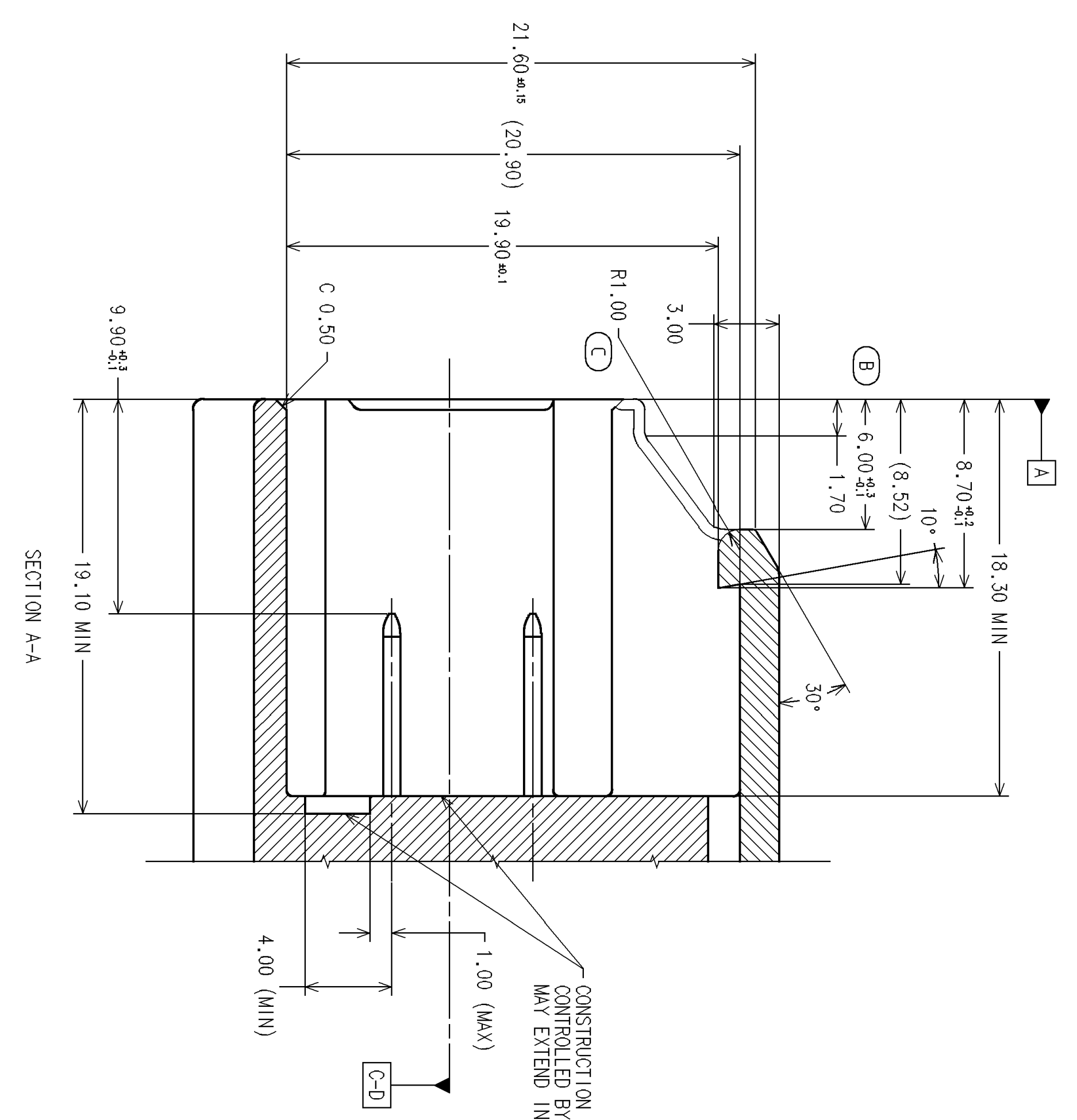
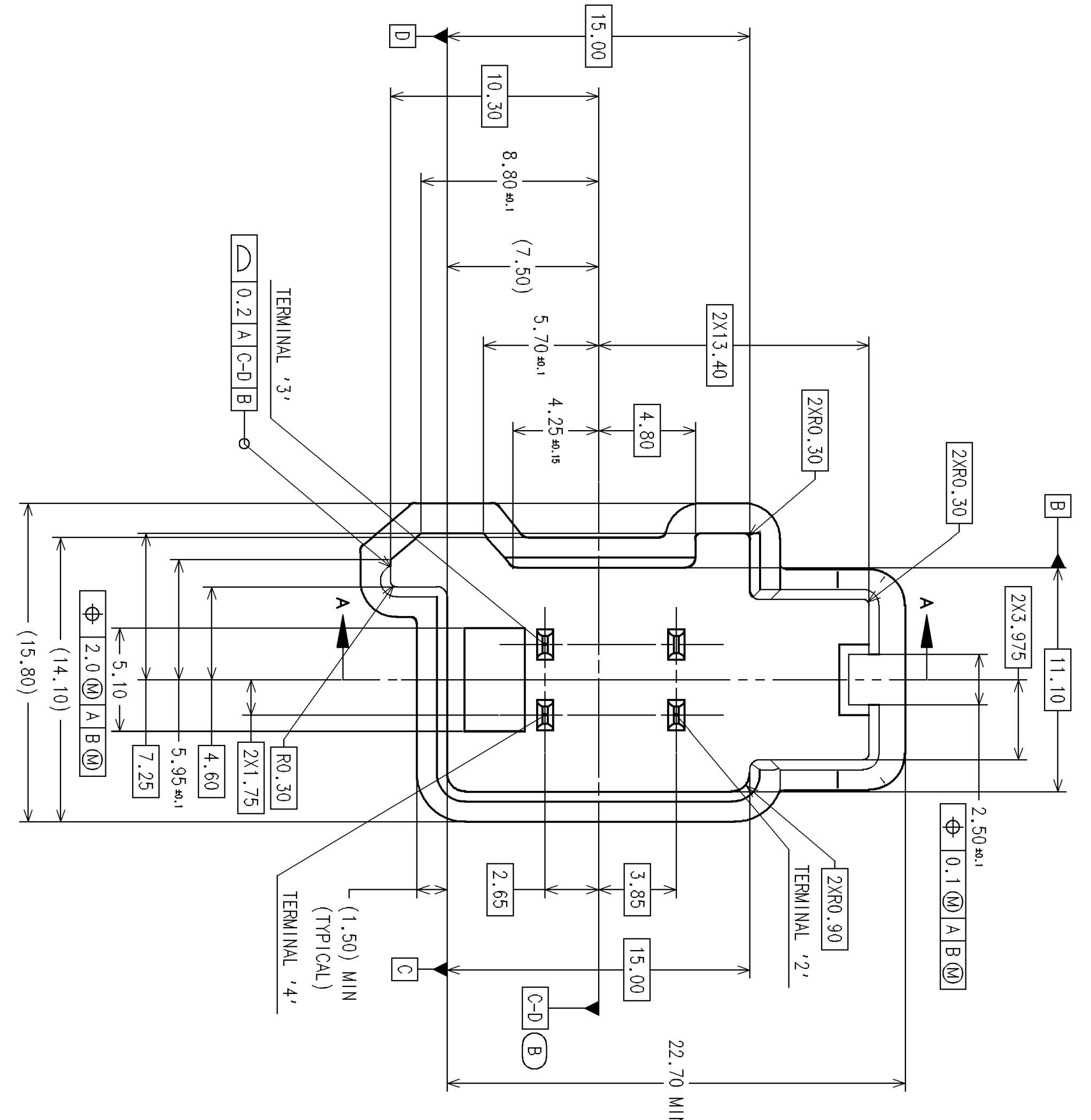
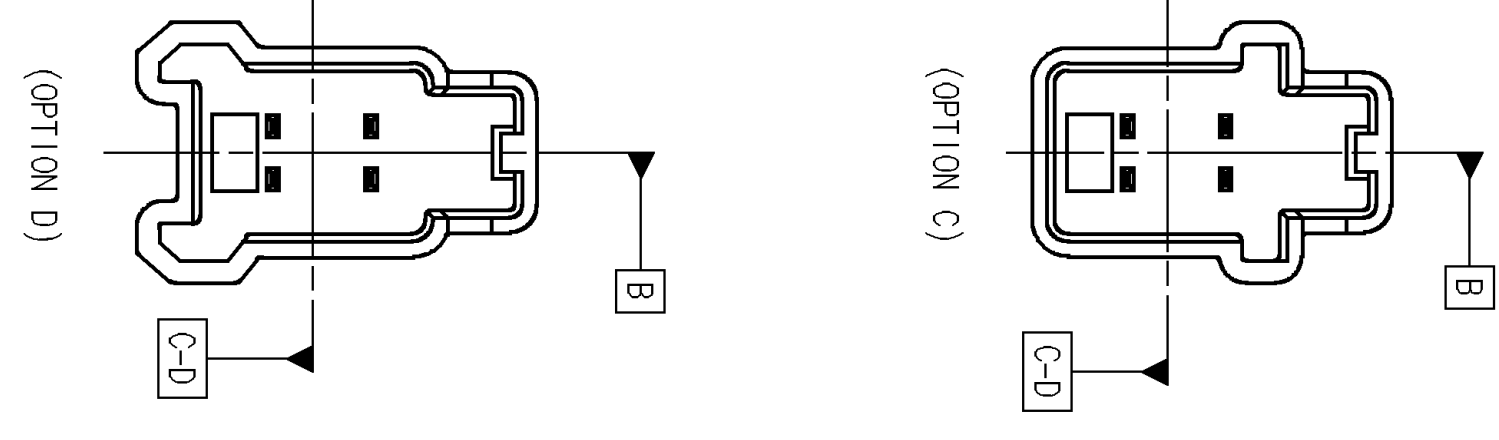
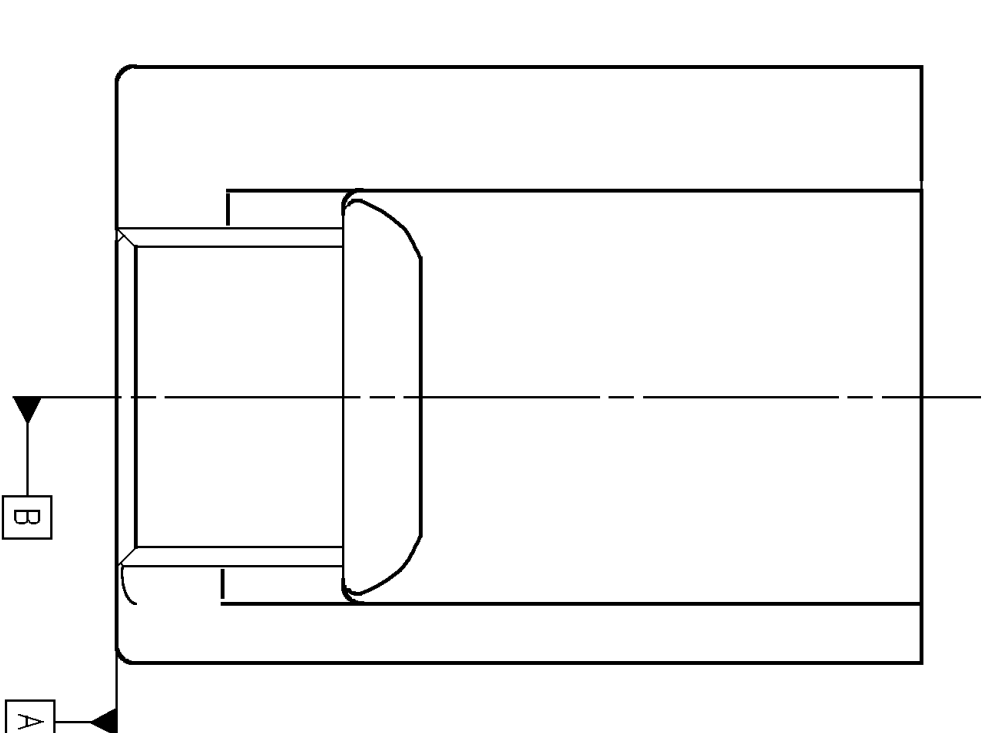
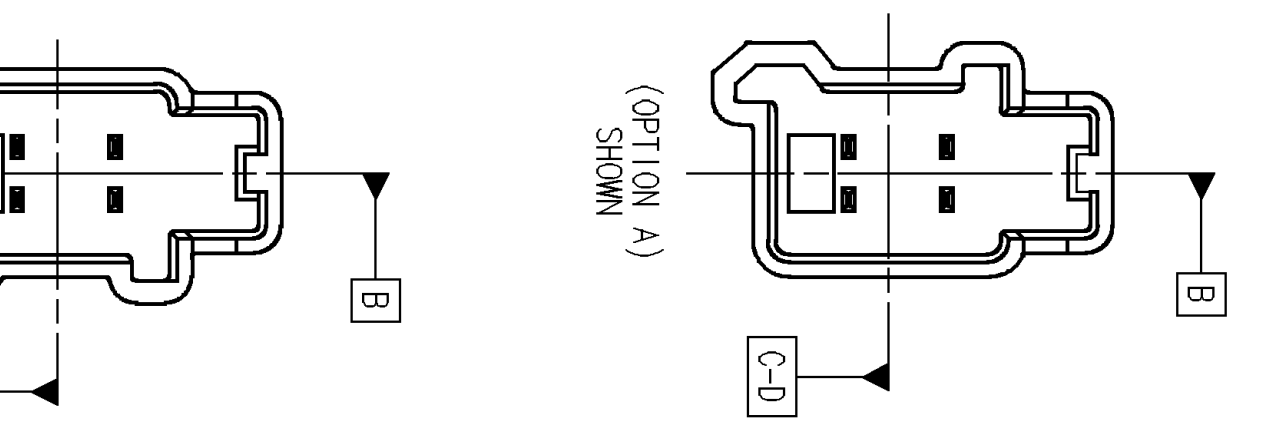


NOTICE
THIS DRAWING OR PORTION OF IT, ARE CONTROLLED BY THE ELECTRICAL WIRING COMPANY'S APPLICATION PARTNERSHIP (EWCAP), A SUBSIDIARY OF THE UNITED STATES OF AMERICA. IT IS THE PROPERTY OF THE ELECTRICAL WIRING COMPANY AND IS NOT TO BE REPRODUCED, COPIED, OR TRANSMITTED IN ANY FORM OR BY ANY MEANS, WITHOUT THE WRITTEN PERMISSION OF THE ELECTRICAL WIRING COMPANY. ANY CHANGE TO A DRAWING CONTROLLED BY EWCAP OF THIS DRAWING IS THE PROPERTY OF EWCAP AND IS NOT TO BE REPRODUCED, COPIED, OR TRANSMITTED IN ANY FORM OR BY ANY MEANS, WITHOUT THE WRITTEN PERMISSION OF THE ELECTRICAL WIRING COMPANY. EACH DRAWING NUMBER AUTHORIZED BY EWCAP IS THE PROPERTY OF EWCAP AND IS NOT TO BE REPRODUCED, COPIED, OR TRANSMITTED IN ANY FORM OR BY ANY MEANS, WITHOUT THE WRITTEN PERMISSION OF THE ELECTRICAL WIRING COMPANY. PLEASE REFER TO EWCAP-001 FOR BLUE DETAILS.



- NOTES: UNLESS OTHERWISE SPECIFIED
1. WALL THICKNESS: (1.50)
 2. ALL UNSPECIFIED RADII: 0.25
 3. DIMENSIONS IN PARENTHESES ARE PERMISSIBLE
 4. TOOL DRAFT PERMISSIBLE WITHIN PROFILE TOLERANCE ONLY
 5. REFER TO SPECIFICATION 12 "WIRING COMPONENT DESIGN GUIDELINES"
 6. REQUIRES APPROVAL OF AUTHORIZED PERSON IN WIRING DIVISION
 7. PLEASE REFER TO EWCAP-001 FOR BLUE DETAILS.

SERIAL NUMBER	DATE	BY	CHK
077	02.14.03	R.W.	L.K.
084	07.13.10	P.C.	J.R.

EWCAP

SCALE: 5:1
DRAWN BY: R. WONG
CHECKED BY: L. KIM
DATE: 02.14.03
TITLE: 2x2 UNSEALED INTERFACE
1.90MM CONNECTORS
SHEET: 1 OF 1
150-U-004-2-201
SIZE: 100 X 150
ELECTRICAL WIRING COMPANY
REVISION TEXT: C

150-U-004-2-001	D	GREEN
150-U-004-2-C01	C	BROWN
150-U-004-2-B01	B	GREY
150-U-004-2-A01	A	BLACK

OPTION: MATING CONNECTOR COLOR