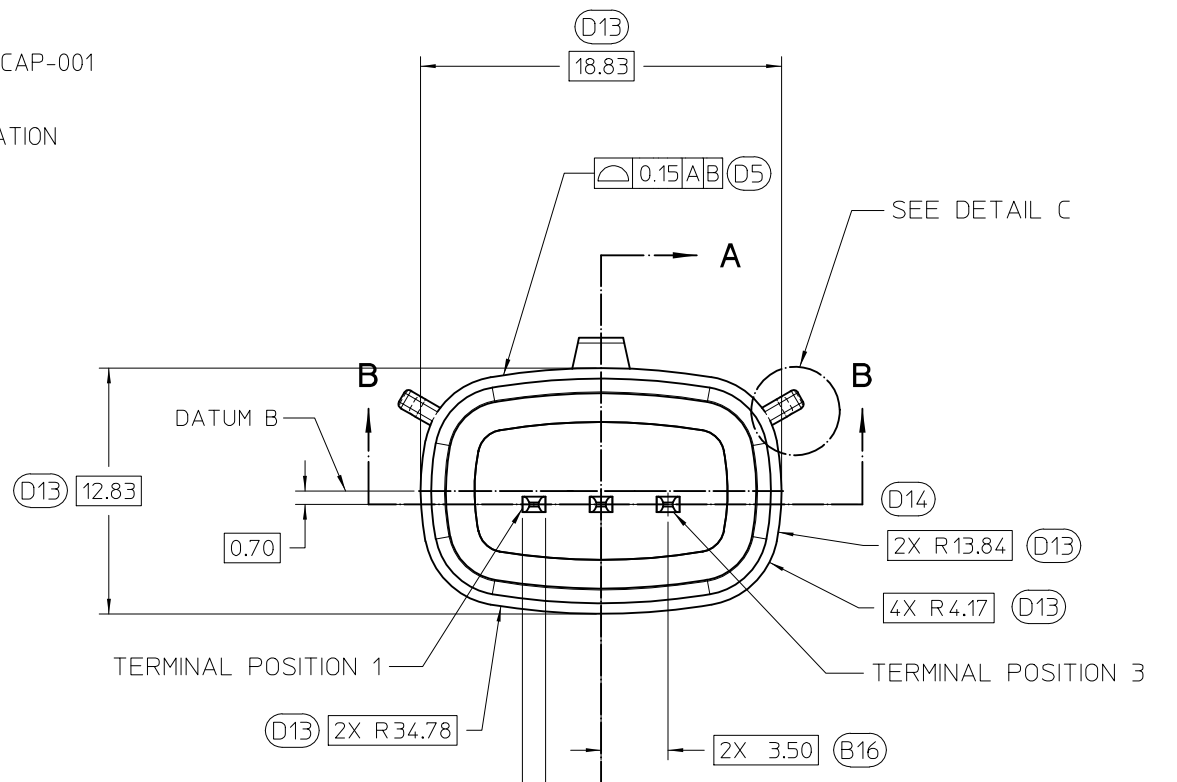
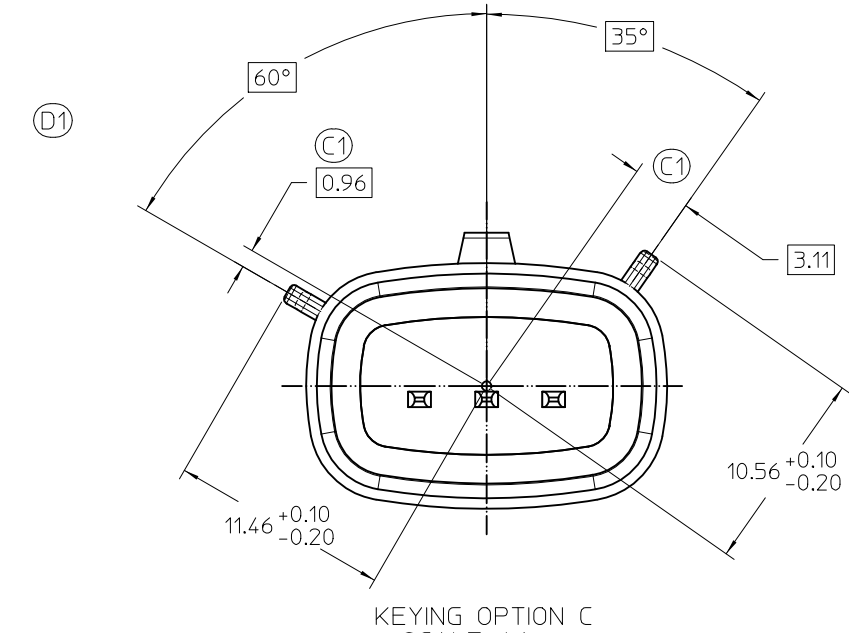
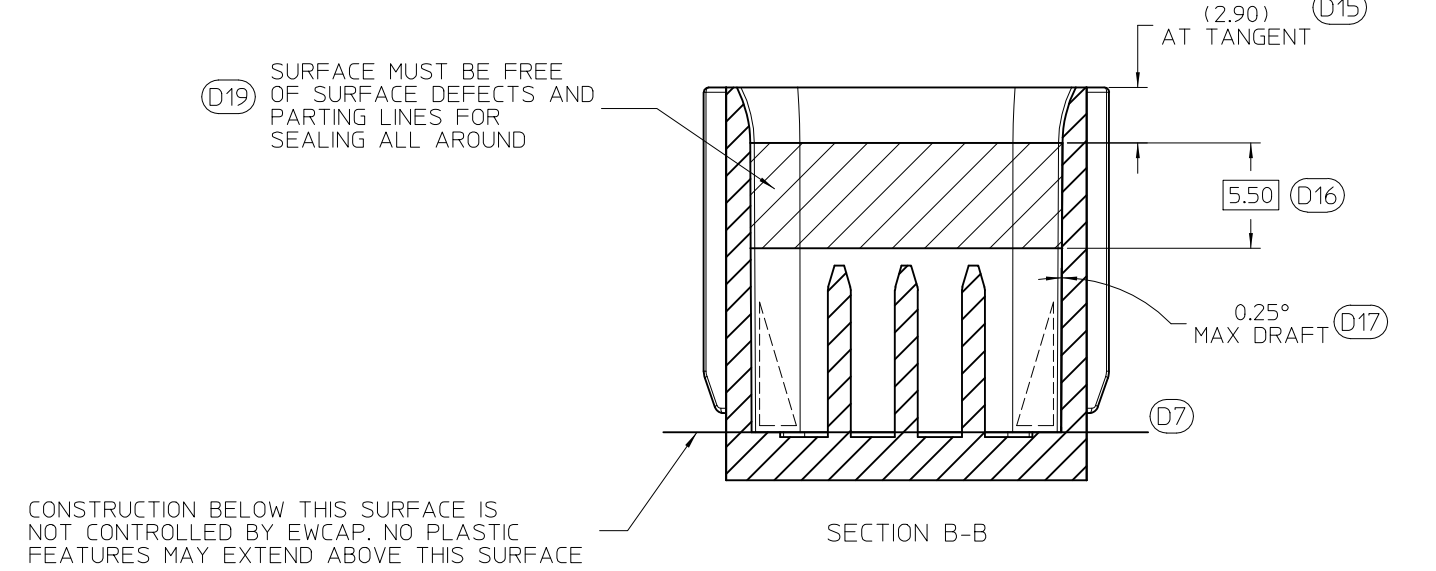
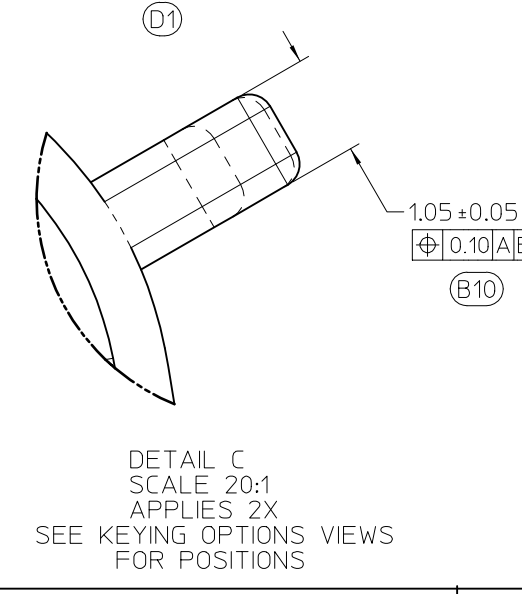
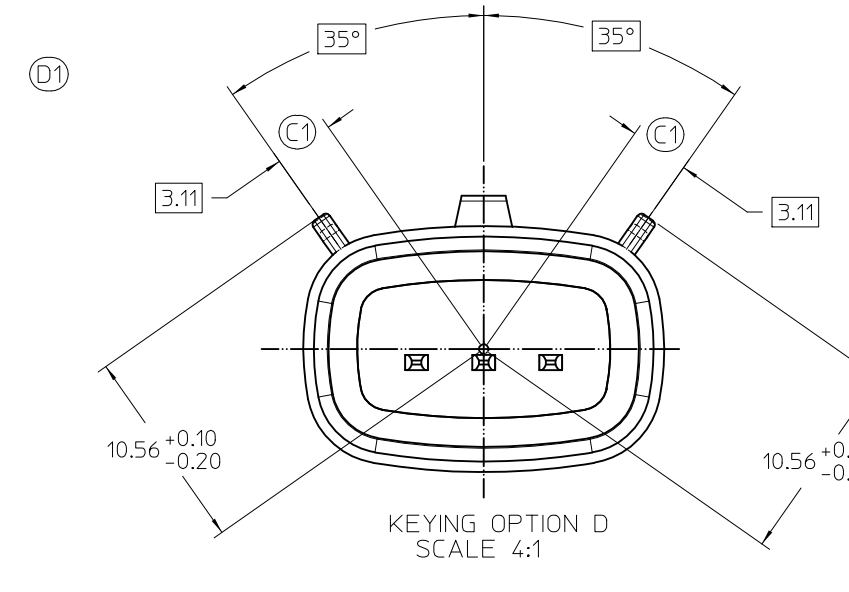
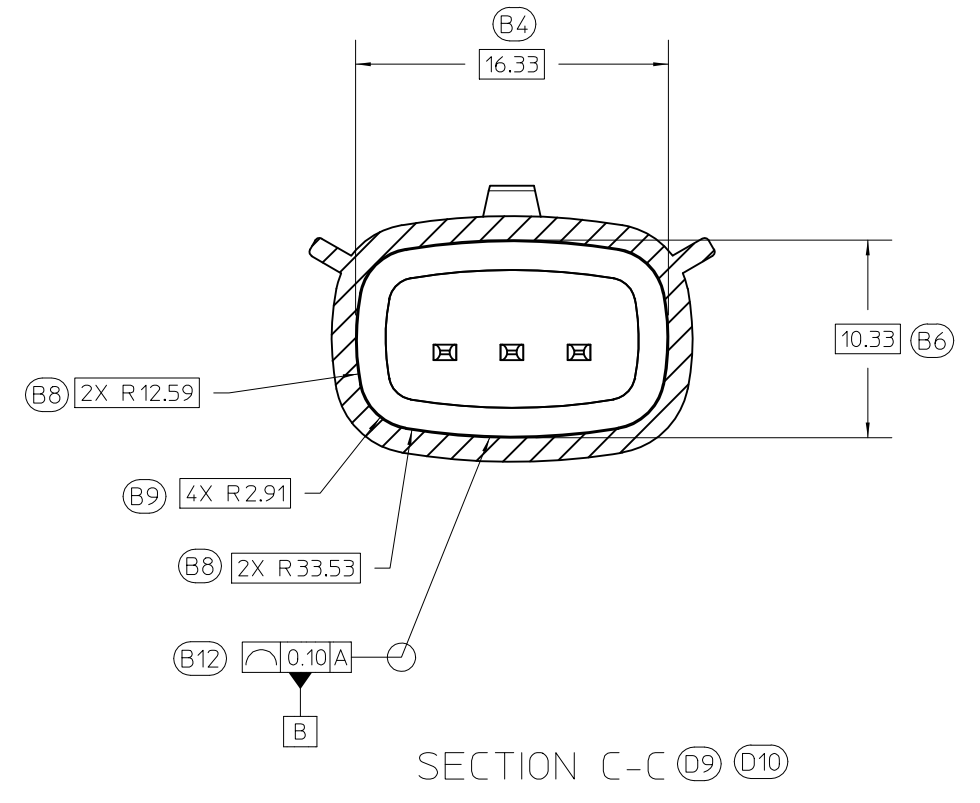


NOTICE  
THIS DRAWING OR PORTIONS OF IT, ARE CONTROLLED BY THE ELECTRICAL WIRING COMPONENTS APPLICATION PARTNERSHIP (EWCAP), A SUBGROUP OF THE UNITED STATES CONSORTIUM FOR AUTOMOTIVE RESEARCH (USCAR). USCAR IS A PARTNERSHIP BETWEEN CHRYSLER GROUP LLC, FORD MOTOR COMPANY, AND GENERAL MOTORS CORPORATION ANY CHANGE TO A EWCAP CONTROLLED PORTION OF THIS DRAWING, INCLUDING A "RECORD CHANGE" MUST BE APPROVED IN WRITING, BY THE RESPONSIBLE EWCAP MEMBER FROM EACH USCAR COMPANY. EACH EWCAP MEMBER AUTHORIZED TO SIGN FOR HIS OR HER COMPANY IS RESPONSIBLE FOR OBTAINING ALL NECESSARY APPROVALS WITHIN THAT COMPANY PRIOR TO SIGNING FOR APPROVAL OF THE CHANGE. EWCAP EXPRESSLY PROHIBITS ANY PARTY FROM CHANGING EITHER ANY EWCAP CONTROLLED PORTION OF THIS DRAWING OR ANY ASSOCIATED TOOLING BEFORE RECEIVING AN APPROVAL SIGNED BY AN AUTHORIZED REPRESENTATIVE FROM EACH EWCAP PARTNER. REFERENCE TO THE SIGNED APPROVAL FORM MUST BE ENTERED IN THIS DRAWING'S CONTROL COLUMN.

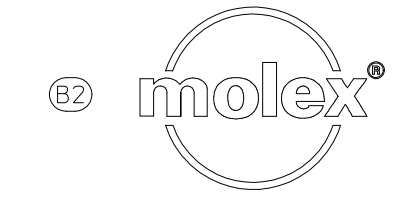
D20	CORRECTED CHRYSLER GROUP LLC NOMENCLATURE			
D19	MOVED NOTE TO SECTION B-B			
D18	UPDATED NOTES			
D17	ADDED 0.25° MAX DRAFT ANGLE ALL AROUND			
D16	ADDED [5.50]			
D15	ADDED AT TANGENT NOTE			
D14	REMOVED DATUM C			
D13	ADDED BASIC DIMENSIONS FOR PROFILE CONTROL			
D12	ADDED [0.20] [A] [B]			
D11	DIMENSIONED TO DATUM A			
D10	SEALING SURFACE DIMENSIONS MOVED TO SECTION C-C			
D9	ADDED SECTION C-C			
D8	REMOVED 10.20 AND 250 FROM SECTION A-A			
D7	ADDED DRAFT ANGLE DIRECTION			
D6	REMOVED 0.80 ±0.10/-0.20 ALL AROUND			
D5	REPLACED WALL THICKNESS CONTROL WITH PROFILE OF A SURFACE			
D4	ADDED R(6.47)			
D3	ADDED 0.70 ±0.15 ALL AROUND			
D2	UPDATED CONNECTOR COLORS			
D1	ADDED GD&T FOR POLARIZATION KEYS	02-17-12	KC	MV
C3	CHANGED ISO VIEW SCALE TO 4:1. WAS 1:1			
C2	CORRECTED PACKAGING FRAME VIEW. WAS UPSIDE DOWN.			
C1	KEY OPTIONS A THRU D DIMENSIONED TO C/L OF KEY. WAS DIMENSIONED TO EDGE	01-15-09	DG	SV
B16	DIM. [2X 3.50] ADDED			
B15	FROM DATUM [A] ADDED DIM. 12.90			
B14	FROM DATUM [A] ADDED DIM. 3X 9.30 ±0.10/-0.25			
B13	ADDED PARTING LINE NOTE TO DETAIL A. REMOVED NOTE BACK ANGLE OPTIONAL FROM 5°			
B12	GD & T [0.10] [A] ADDED			
B11	KEY OPTIONS A THRU D DIMENSIONED TO EDGE WAS DIMENSIONED TO C/L OF KEY			
B10	GD & T [0.10] [A] [B] REMOVED FROM VIEW DETAIL C			
B9	[4X R2.91] WAS 4X R2.92			
B8	[2X R12.59] AND [2X R33.53] WAS 2X R12.59 AND 2X R33.53			
B7	REVISED GD & T FOR TIP AND BASE			
B6	DATUM [C] AT DIM 10.33 WAS AT DIM. 16.33			
B5	SURFACE 'D' LOCATED AT [3.50]			
B4	DATUM [B] AT DIM 16.33 WAS AT 10.20 SECTION A-A			
B3	12.5 MIN. WAS 11.5 MIN.			
B2	MOLEX LOGO ADDED			
B1	REMOVED NOTE #1 "DRAFT ANGLE PERMISSIBLE 0.25° MAXIMUM." RENUMBERED NOTES	01-10-08	DG	SV
A	RELEASED	10-17-07	MV	DG
LET	REVISION RECORD	DATE	DWN	CHK



- NOTES: UNLESS OTHERWISE SPECIFIED [D18]
- ALL DIMENSIONS SHOWN IN MILLIMETERS.
  - DIMENSIONING AND TOLERANCING PER ASME Y14.5M-1994
  - 0.25 RADII ON ALL CORNERS SHOWN SHARP.
  - UNSPECIFIED RADII: 0.25 EXCEPT AS NOTED.
  - STANDARD COLORS FOR POLARIZATION (SEE CHART). DEVIATION REQUIRES APPROVAL OF AUTHORIZED PERSON.
  - REFER TO "SAE/USCAR-12 CONNECTOR GUIDELINES" FOR ADDITIONAL REQUIREMENTS.
  - EXCEPT WHERE NOTED, DRAFT ON OUTSIDE SURFACES IS PERMISSIBLE WITHIN TOLERANCE.
  - SYMBOL INDICATES DRAFT DIRECTION.
  - FOR TERMINAL MATERIAL, DIMENSIONAL, AND COATING REQUIREMENTS AND ANY BLADE TERMINAL DESIGN INFORMATION NOT SHOWN ON THIS DRAWING SEE EWCAP DRW. NO. EWCAP-001
  - A FULL SHROUD ON THE MATING CONNECTOR IS REQUIRED TO INSURE THAT THE CONNECTOR-HEADER POLARIZATION FEATURES (OPTIONS A THRU D) WILL FUNCTION. THE FULL SHROUD ALSO PREVENTS SCOOP DAMAGE TO THE HEADER PINS. REFER TO "SAE/USCAR-12 CONNECTOR DESIGN GUIDE LINES" FOR ADDITIONAL INFORMATION.
  - REFER TO USCAR/EWCAP PART LIST AS FOUND ON WEBSITE <http://www.uscarteams.org>
  - THIS IS A 100% CAD GENERATED PART. THE CAD MATHEMATICAL DATA IS THE MASTER FOR THIS PART. FOR DIMENSIONAL OR ANY INFORMATION NOT SHOWN ON THIS DRAWING, ANALYZE THE CAD MODEL.



150-S-003-1-D05	D	BLACK
150-S-003-1-C05	C	DK GRAY
150-S-003-1-B05	B	LT GRAY
150-S-003-1-A05	A	BLACK
EWCAP P/N	OPTION	MATING CONNECTOR COLOR



TOLERANCES (UNLESS OTHERWISE SPECIFIED)				THIRD ANGLE PROJECTION	
DIMENSIONS ARE IN				[Symbol]	
ANGLES ±3°					
X ±0.2		XX ±0.10			
<b>EWCAP</b>					
SCALE 4 - 1	DRAWN BY K.CUNNINGHAM	CHECKED BY N.VANSLAMBUROCK	DATE 02-17-12		
TITLE DIRECT CONNECT INTERFACE 3 WAY (1 X 3) 1.5MM SEALED MALE					
SHEET 1 OF 1	DRAWING NUMBER 150-S-003-1-Z05	SIZE E	DO NOT SCALE DRAWING COMPUTER AIDED DRAWING	REVISION LEVEL D	

4

3

2

1