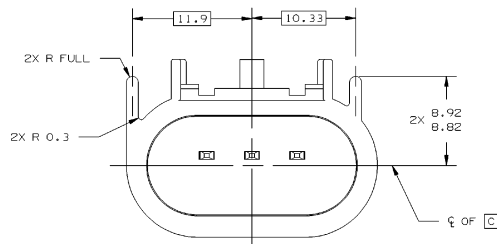
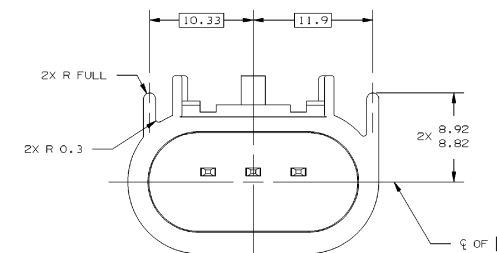


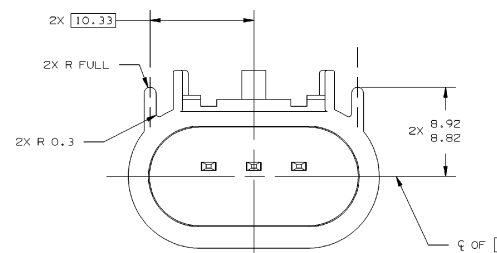
150-S-003-1-A01  
(OPTION A)



150-S-003-1-B01  
(OPTION B)

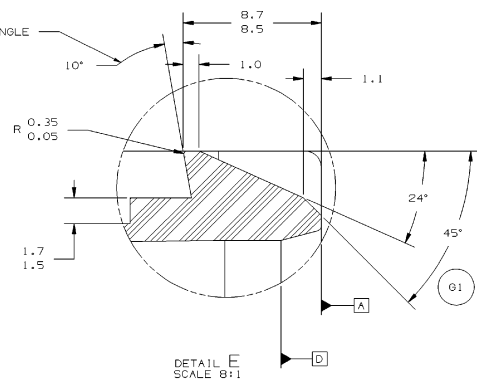


150-S-003-1-C01  
(OPTION C)

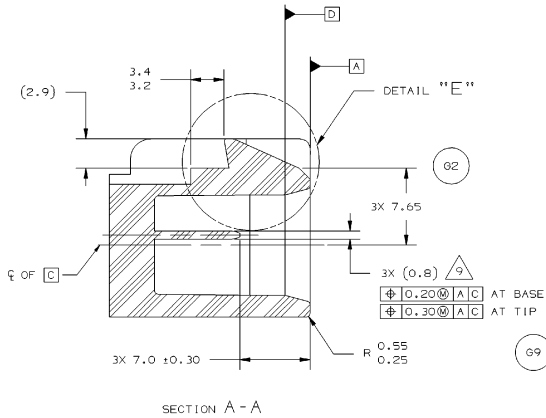


150-S-003-1-D01  
(OPTION D)

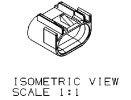
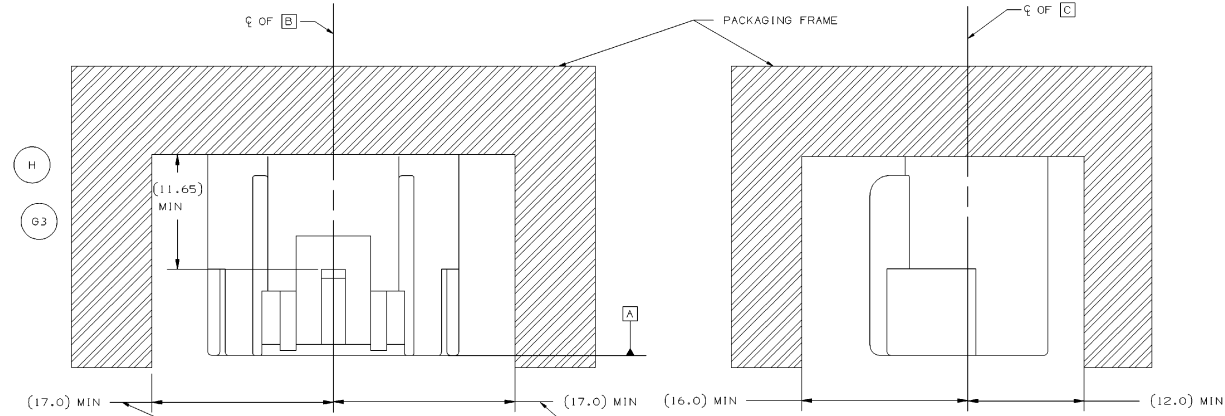
150-S-003-1-D01	D	GREEN
150-S-003-1-C01	C	BROWN
150-S-003-1-B01	B	GREY
150-S-003-1-A01	A	BLACK
EWCAP P/N	OPTION	MATING CONNECTOR COLOR



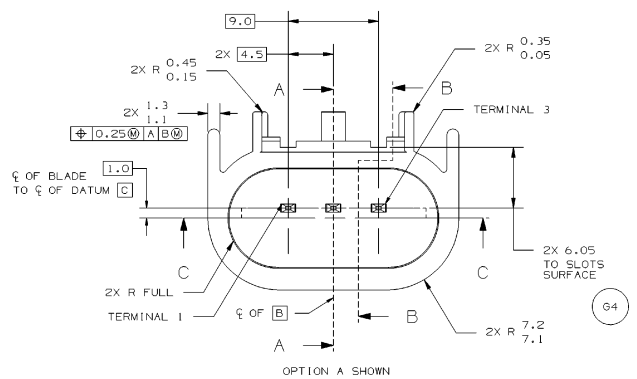
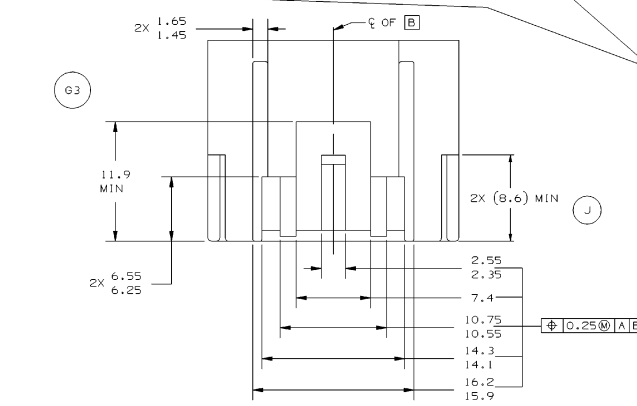
DETAIL E  
SCALE 8:1



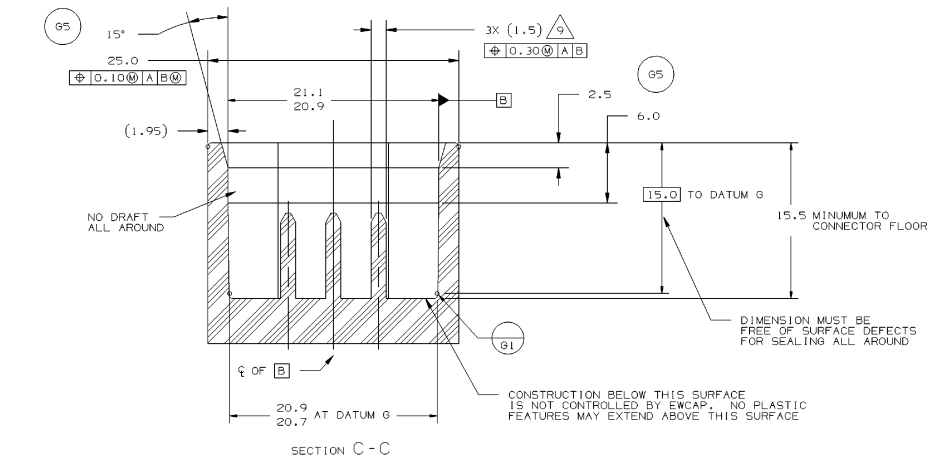
SECTION A-A



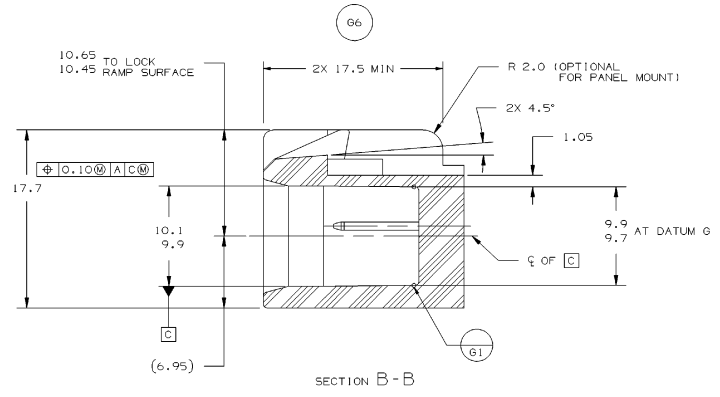
ISOMETRIC VIEW  
SCALE 1:1



OPTION A SHOWN



SECTION C-C



SECTION B-B

- NOTES:
1. ALL DIMENSIONS SHOWN IN MILLIMETERS.
  2. DIMENSIONING AND TOLERANCING PER ASME Y14.5M-1994.
  3. RADII ON ALL CORNERS SHOWN SHARP OR ALL UNSPECIFIED RADII: 0.25 EXCEPT AS NOTED.
  4. REFER TO "SAE/USCAR-12 CONNECTOR DESIGN GUIDELINES FOR ADDITIONAL INFORMATION."
  5. RECOMMENDED COLORS FOR POLARIZATION - DEVIATION REQUIRES APPROVAL OF AUTHORIZED PERSON.
  6. SECTION LINES ARE COMMON TO ALL OPTIONS.
  7. 1° DRAFT MAX ON OUTSIDE SURFACES PERMISSIBLE WITHIN ALLOWABLE TOLERANCE.
  8. DIMENSIONS IN ( ) ARE FOR REFERENCE.
  9. FOR BLADE GEOMETRIC AND PLATING REQUIREMENTS, REFER TO EWCAP DWG. NO. EWCAP-001, DETAIL 150-T001.

REV	DATE	BY	CHK	DESCRIPTION
057	J	CHANGED PKG DIM TO REFERENCE ADD 8.6 DIM	D1JAO5	JC JJ
030	H	11.65 WAS 8.0	03NV03	JC JJ
09		EDIT DRAWING TO CONFORM WITH LATEST USCAR SPECIFICATION		
08		REMOVED NOTICE		
07		ADDED NOTE 8 AND 9 NOTE 5 WAS NOTE 6 NOTE 6 WAS NOTE 7 ADDED 1° DRAFT TO NOTE 7		
06		17.5 MIN WAS 18.2/17.6 REMOVED DIM. 21.0		
		SEC. B-B, ADDED 10.25, ADDED NOTE TO LOCK RAMP SURFACE TO DIM 10.65/10.45		
05		ADDED NOTE TO 15.0 AT DATUM G REMOVED BASE DIM FROM 2.5, 6.0 15° WAS 17°/15°		
04		BLADE VIEW, ADDED DIM 2X 6.05 TO SLOT SURFACE		
03		ADDED DIM. 8.0 MIN.		
		REMOVE VIEW MOVES DIM TO TOP VIEW REMOVED DIM FROM NOTE		
02		ADDED DIM. 3 X 7.65 ADDED BLADE DIM MOVED 45° FROM SEC. A-A TO DETAIL VIEW E	24MR03	JC JJ
019	G1			
018	F	SEE CHANGE NOTICE	21FE03	JC JJ
014	E	SEE CHANGE NOTICE	23JAO3	JC JJ
011	D	REMOVED TERMINAL DIM. AND ADDED NOTE B. 13.3 WAS 13.0	150C02	JC JJ
007	C	UPDATE FRONT TO LATEST USCAR STANDARDS REMOVED Ø ON FACE VIEW, SECTION A-A, AND SECTION C-C REMOVED "NO BURRS" NOTE 11.70 DIM	29AP02	JC JJ
003	B	NOTE #2 Ø.005MM (20X INCHES) WAS 0.001MM (140X INCHES)	17JL01	JC JJ
	A	RELEASE	09MR00	JC JJ

DATE	BY	CHK	DESCRIPTION
1-1	150-S-003-1-D01	E	DIRECT CONNECT INTERFACE - 3 WAY (1X3) 1.5MM SEALED MALE

DELPHI  
CONNECTION SYSTEMS  
15454764